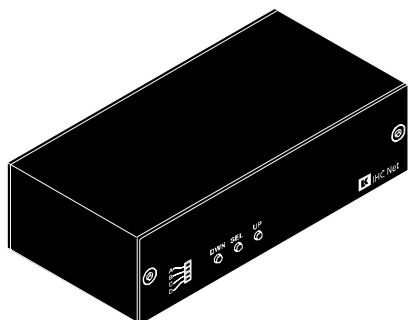


ELKO Link Home Instructions for PC modulator PC0101



Art.nr.	Typ	E-nr
3386	PC0101	S No Finland: 72 046 05 EL No Norway: 69 426 80 E No Sweden:

Included in this package:

- 1 Pcs PC Player PC0101
- 1 Pcs 230 VAC / 12 VDC Power Adapter
- 1 Pcs Stereo Audio Cable (2xRCA - 3,5mm jack)

Application

The PC Player PC0101 is a single channel FM stereo modulator with balanced outputs dedicated for the ELKO Link Home system. The PC0101 can be connected to any audio source and creates from the LF signal a FM radio channel that can be distributed with in the ELKO Link Home system, which can be received at any radio or stereo Hi Fi unit, connected to the system. The PC0101 is especially dedicated to distribute stereo audio signals from your home PC (such as MP3 music, Internet radio, movie sound etc.). The principal illustration on the back shows how the individual units are installed in the system.

Installation

- The PC0101 has two input jacks (RCA) for the audio line (marked "L" and "R"). These are connected to the PC sound card (audio output) or to the audio equipment in question.
- The PC0101 has an RJ45 **output** supplying the FM radio channel (marked "AV link"). The output is connected to a separate wall outlet using a STP patch cord (min cat. 5).
- Further, the output signal is distributed into the AV link port of the multimedia amplifier mounted in the distribution centre.
- The power adapter is connected to the 12 VDC power input.
- Further an IR link output is available on the PC0101 in case the Audio source can and shall be operated from a remote control (requires installation of ELKO Link Home IR link system).

Configuration

The PC Player PC0101 modulates the incoming LF Stereo signal to a Stereo FM radio channel.

The PC0101 has a chart of 84 pre-programmed radio channels (frequencies) that can be set as output. The radio frequency to be selected (programmed) depends on which frequencies already are occupied and which are free (not used by existing radio stations) in the FM band of the antenna signals.

In the PC0101, 4 main frequencies can be selected, these are 90 MHz, 95 MHz, 100 MHz and 105 MHz. Around these main frequencies, in steps of 0,1 MHz, another 10 channels above and 10 channels below can be selected.

The total range of possible frequencies is:

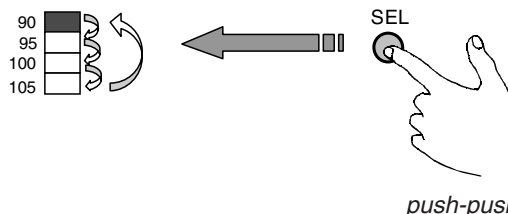
89,0 - 91,0 MHz	(21 channels)
94,0 - 96,0 MHz	(21 channels)
99,0 - 101,0 MHz	(21 channels)
104,0 - 106,0 MHz	(21 channels)

Once a suitable radio channel (frequency) has been determined, this has to be set in the PC0101.

The 3 push buttons marked "UP", "SEL" and "DWN" are used for the programming purpose. Pressing the "SEL" button for min. 2 seconds starts the programming – and having not pressed any button for 10 seconds exits the programming again.

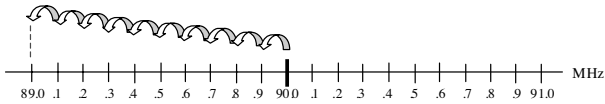
"SEL"

This push-button both enables the programming mode and afterwards shifts between the 4 main frequencies at each time being pressed. First, keep the button pressed for more than 2 seconds to enable programming. Secondly, press the button a number of times until the desired main frequency is reached.



"DWN"

Each time being pressed, this button shifts 1 channel down (of 0,1 MHz) from the main frequency selected. 10 steps are available moving 1 MHz down in total. When pressed more than 10 times no action is caused and an indication of this is shown by flashing 2 times the LED.



DWN

 10 x push = 89.0 MHz

"UP"

Each time being pressed, this button shifts 1 channel up (of 0,1 MHz) from the main frequency selected. 10 steps are available moving 1 MHz up in total. When pressed more than 10 times no action is caused and an indication of this is shown by flashing 2 times the LED.

The factory set radio channel at the first power up is 90.0 MHz.

The PC0101 will always memorise the radio channel programmed while powered off, and will continue to send out the latest programmed channel when powered up again.

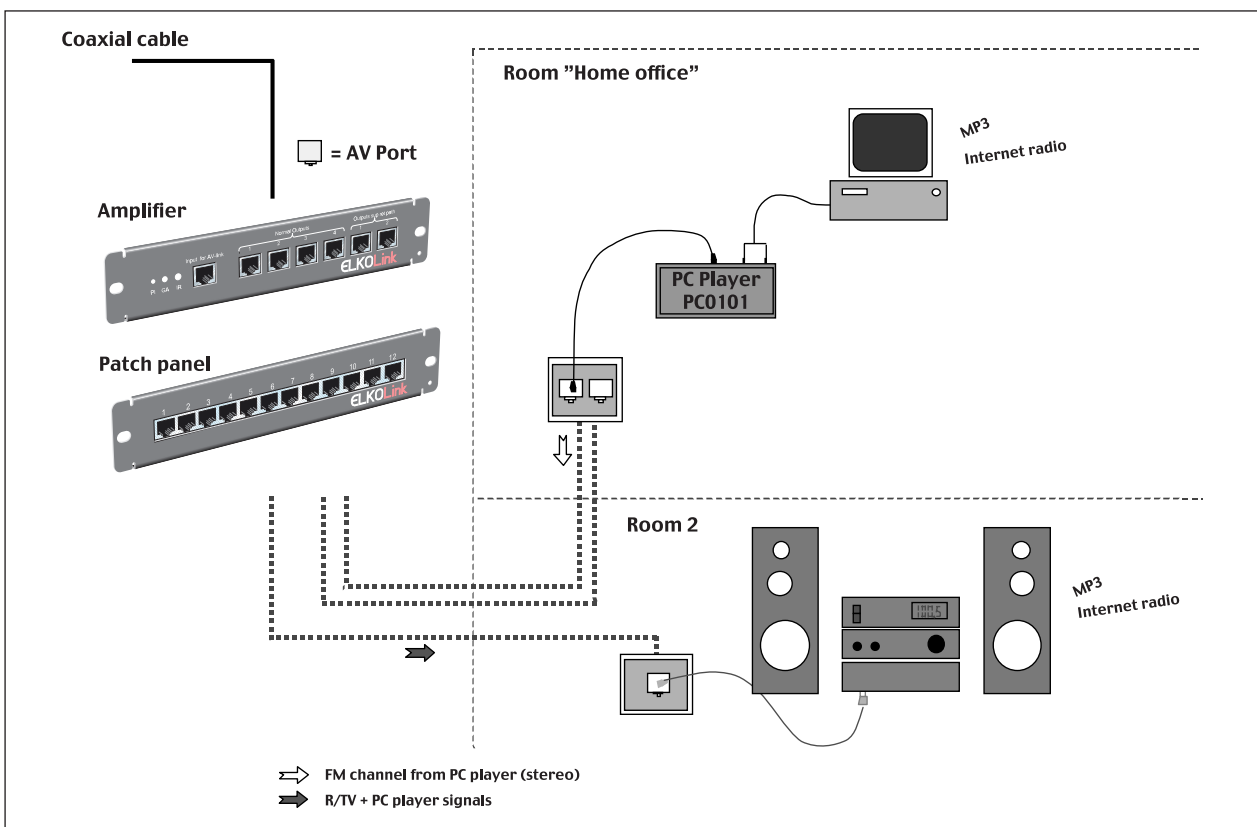
All stereo Hi Fi receivers connected to the system can now receive the stereo signal from i.e. the home PC, once these are tuned in to the radio channel of the PC0101.

Adjustments

No adjustments of the PC0101 are necessary. However, if the sound is significantly distorted it may be caused by oversteering of the PC0101 input. This should be adjusted from the volume control of the PC connected (or other audio equipment).

Technical Specifications

Power Supply	12 VDC (external)
Current	70 mA max
Audio Bandwidth	30 Hz – 18 kHz
Input Levels	775 mV rms / (0 dBm)
Input Impedance	47 kOhm
Output Level	75 dBuV
Output Impedance	100 Ohm
Frequency Band	89 – 106 MHz
Pre-emphasis	50 uSec
Distortion	0,4 %
Signal – Noise Ratio	66 dB
Channel Separation	28 dB
Shielding	> 55 dB
Size (WxDxH)	169x84x49 mm
Weight	0,65 kg
EMC Standards	EN 55020 89/336/EEC



ELKO A/S, P. O.Box 234, N-1301 Sandvika, Tel: +47- 67 80 73 00 Fax: +47- 67 80 73 01
AB Elektrokontakt, Box 2093, 128 22 Skarpnäck, Tel. 08-447 33 70, Fax. 08-447 33 80
ELKO SUOMI OY, Olarinluoma 16 02200 ESPOO Tel +358 09 439 3210 Fax +358 09 4393 2120