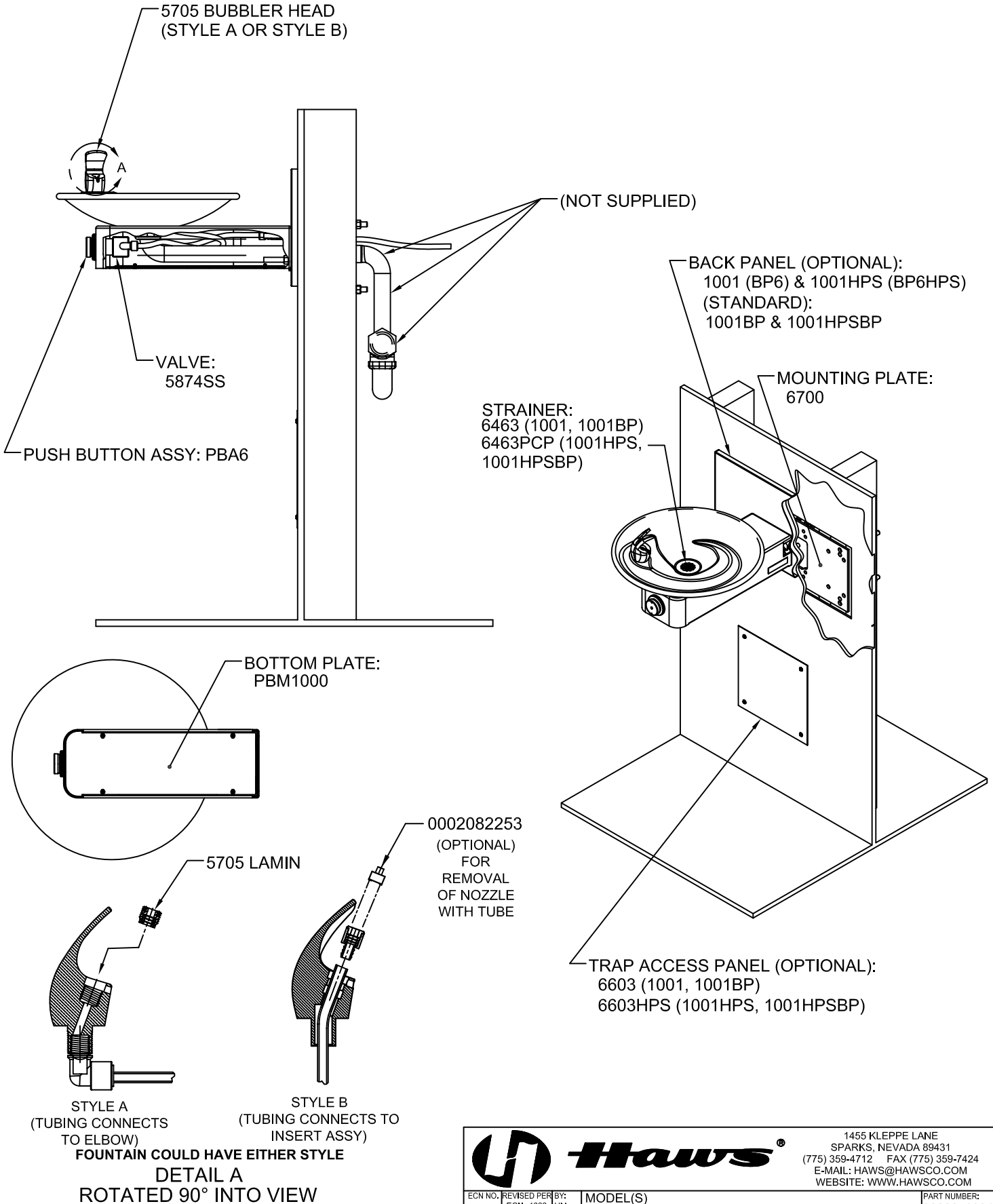


# PARTS BREAKDOWN



**WHEN ORDERING PARTS PLEASE SPECIFY YOUR MODEL NUMBER**

		1455 KLEPPE LANE SPARKS, NEVADA 89431 (775) 359-4712 FAX (775) 359-7424 E-MAIL: HAWS@HAWS.CO.COM WEBSITE: WWW.HAWS.CO.COM	
		ECN NO: 4693 REVISED PER: HM DATE: 10/19/98 CHKO:	MODEL(S) 1001/1001BP/1001HPS/1001HPSBP DRINKING FOUNTAIN
DRAWN: RMT APPROVED:	DATE: 10/19/98 DATE:	SCALE: 1:1 DRAWING TYPE: PARTS BREAKDOWN	DRAWING NO.: 15989A00 REV. 15 SIZE: A SHEET 1 OF 1