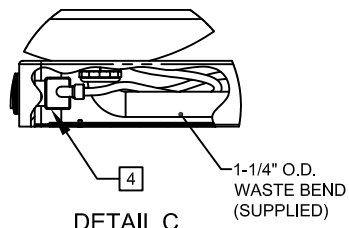
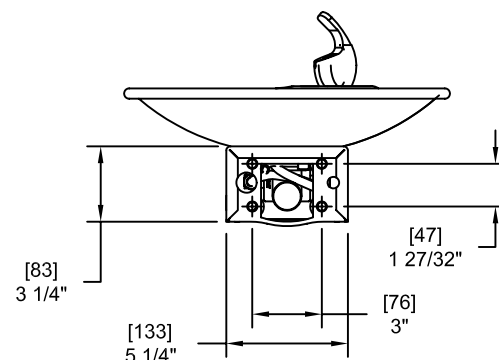
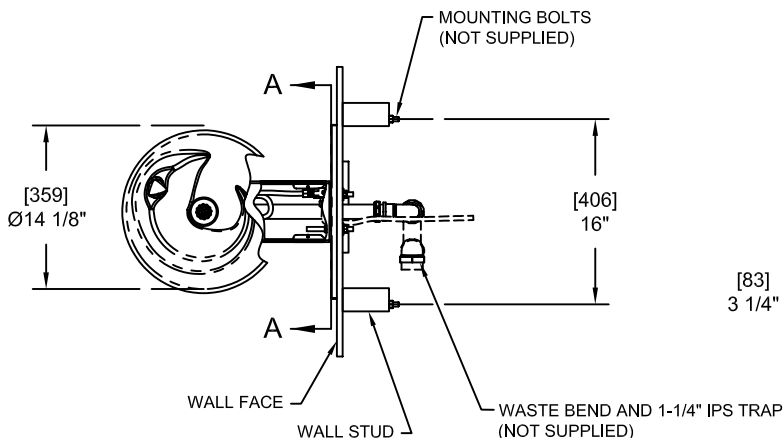
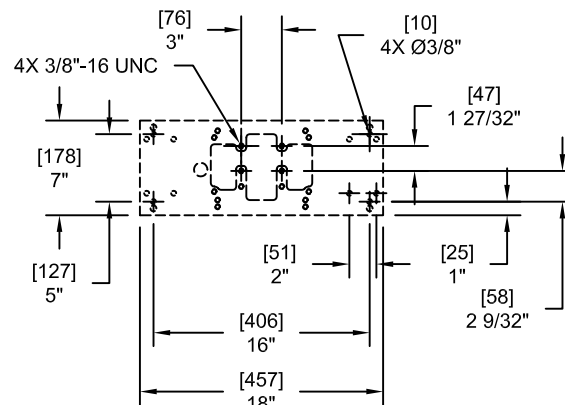
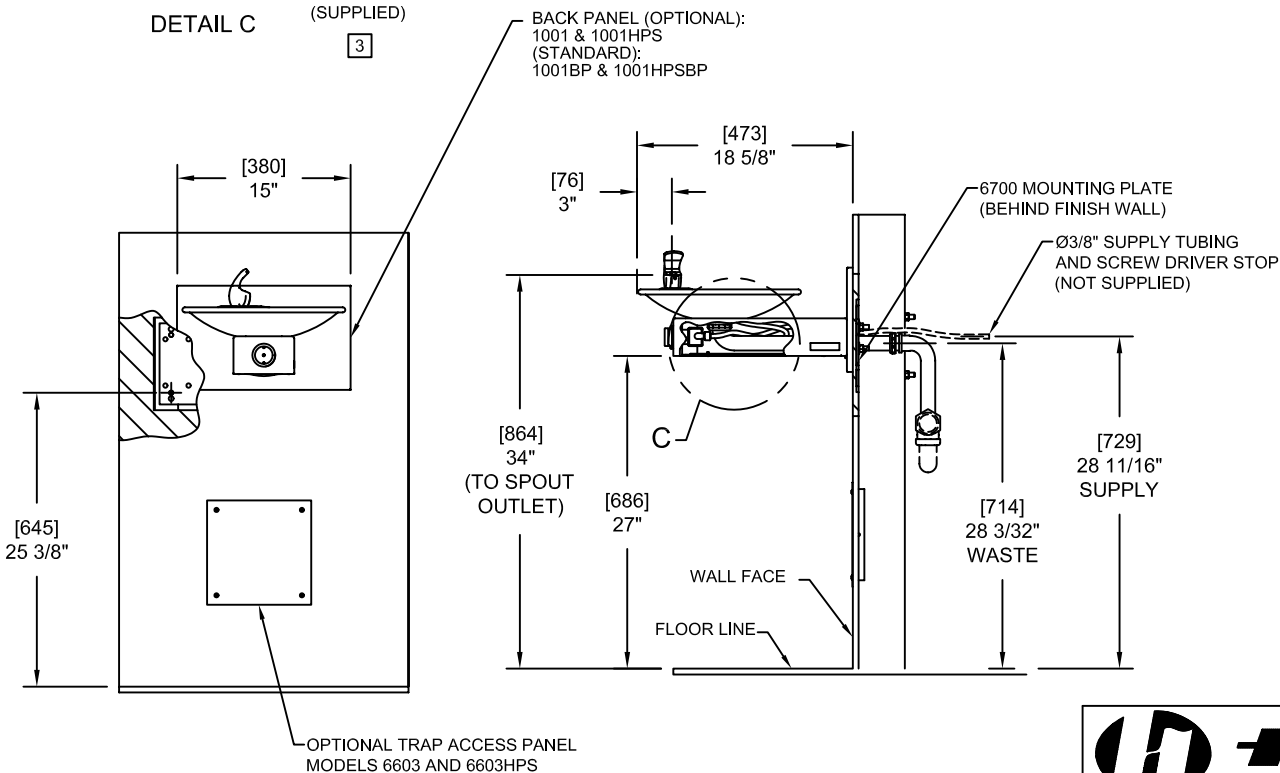


**NOTES:**

1. HOLD ROUGH-IN DIMENSIONS  $\pm 1/8"$  (3.2mm).
2. WHEN INSTALLING THIS UNIT, LOCAL, STATE, OR FEDERAL CODES SHOULD BE ADHERED TO FOR INSTALLATION DIMENSIONS (LOCATIONS), WASTE AND SUPPLY REQUIREMENTS OTHER THAN SHOWN.
3. INSTALLER MUST PROVIDE TRAP FOR PROPER INSTALLATION.
4. REMOVE VALVE FROM PUSH BUTTON TO INSTALL WASTE ELBOW ONTO BOWL. AFTER WASTE ELBOW IS INSTALLED, REINSTALL VALVE AND ADJUST FLOW.




**SECTION A-A  
ROTATED 90° INTO VIEW  
BRACKET MOUNTING  
DETAIL**



**6700 MOUNTING PLATE  
MUST BE INSTALLED BEFORE  
FINISH WORK. THIS PLATE IS A  
STANDARD ITEM.**

OPTIONAL TRAP ACCESS PANEL  
MODELS 6603 AND 6603HPS



1455 KLEPPE LANE  
SPARKS, NEVADA 89431  
(775) 359-4712 FAX (775) 359-7424  
E-MAIL: HAWS@HAWS.CO.COM  
WEBSITE: WWW.HAWS.CO.COM

ECN NO. REVISED PER BY:	MODEL(S)	PART NUMBER:
RTM	1001/1001BP/1001HPS/1001HPSBP	0002076304.D
APPROVED:	DRINKING FOUNTAIN	15990A00 15
DATE:	SCALE: 1:1	DRAWING TYPE: INSTALLATION
DATE:		SIZE: A SHEET 1 OF 1