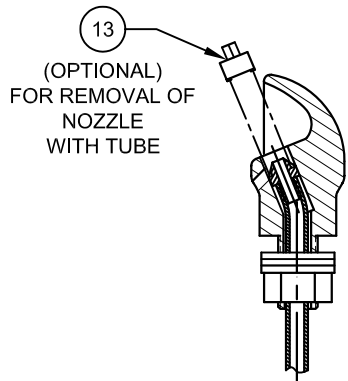


PARTS BREAKDOWN

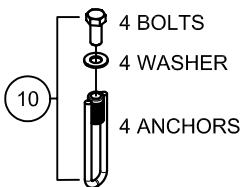
ITEM	DESCRIPTION
1	SPANNER WRENCH P/N 0006983506
2	BOTTOM PLATE PBM1035
3	STRAINER 6452
4	BUBBLER HEAD 5703M
5	PUSH BTN ASSY PBA7
6	VALVE 5874SS
7	DOOR KEY, TEE 0002049640
8	KEY, 5/32" HEX PINNED P/N 0002981127
9	6635 SANDTRAP (OPTIONAL)
10	MTG.3501 (OPTIONAL)
11	MTG.3500 (OPTIONAL)
12	1/2" STOP ASSY 6449
13	DRIVER, NOZZLE .25 HEX 0002082253



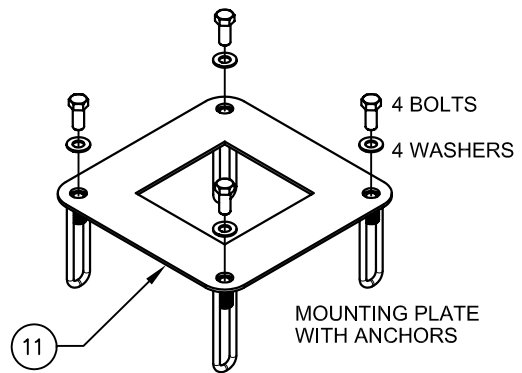
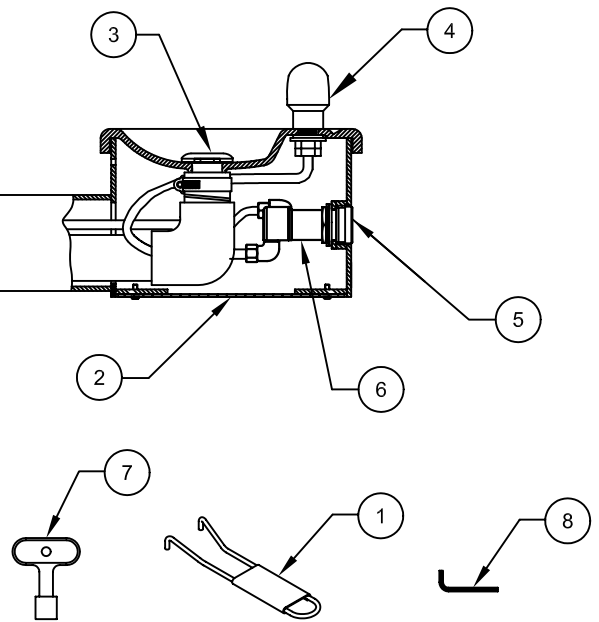
**VIEW A
DETAIL OF ITEM 4**

* OPTIONAL 12
SAND TRAP
MODEL 6635
W/ MOUNTING
PLATE (OPTIONAL) 9

**PET PEDESTAL
STANDARD WITH
MODEL 3500D
ONLY**



**MODEL MTG.3501
KIT MOUNTING SYSTEM
(OPTIONAL)**



**MODEL MTG.3500
KIT MOUNTING PLATE
(OPTIONAL)**

* IF PURCHASED MFG SUGGESTS YOU USE
WITH CONNECTOR P/N 0001730162

**WHEN ORDERING
PARTS PLEASE
SPECIFY YOUR
MODEL NUMBER**



1455 KLEPPE LANE
SPARKS, NEVADA 89431
(775) 359-4712 FAX (775) 359-7424
E-MAIL: HAWS@HAWS.CO.COM
WEBSITE: WWW.HAWS.CO.COM

DRAWN BY: F.V.	DATE: 02/04/99	CHECK BY:	APPRD BY:	SCALE: 1/4
TITLE: 3500/3500D			PART NUMBER: 0002077448	
DRAWING TYPE: PARTS BREAKDOWN			DRAWING NUMBER: 13961C	REV. 12