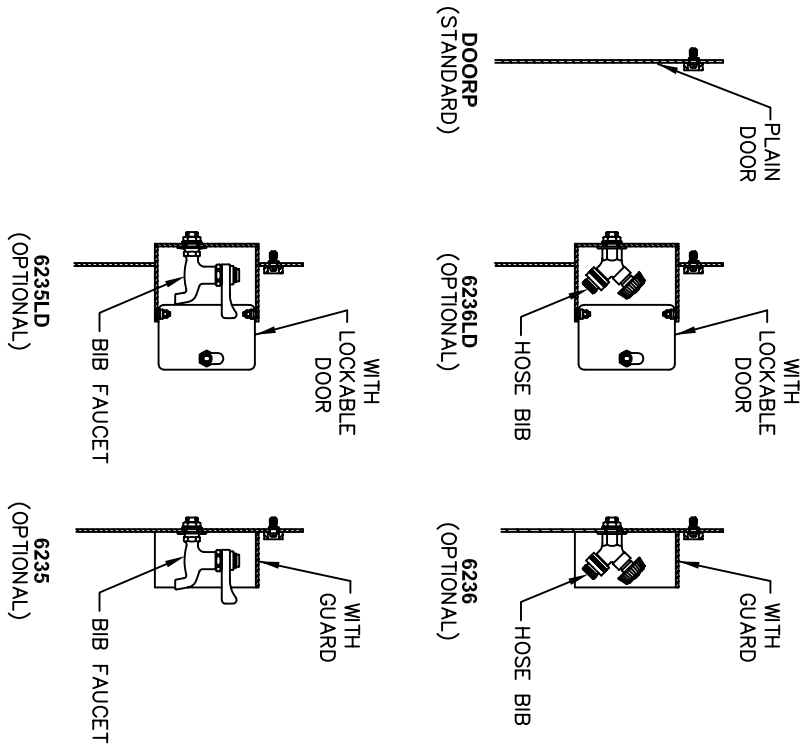


**MODEL 3500 SHOWN
(SEE SHEET 2 FOR MODEL 3500D)**

- NOTES: (UNLESS OTHERWISE SPECIFIED)
- PET FOUNTAIN IS STANDARD FOR MODEL 3500D ONLY. SEE SHEET 2 FOR INSTALLATION DETAILS.
 - SAND TRAP MODEL 6635 W/ MOUNTING PLATE (OPTIONAL). SEE MODEL 6635 FOR ADDITIONAL INSTALLATION INSTRUCTIONS.
 - REFER TO 5874SS OPERATION AND MAINTENANCE MANUAL FOR PUSH BUTTON AND VALVE INSTALLATION/MAINTENANCE INSTRUCTIONS.
- (NOTES CONTINUED ON SHEET 2)



ACCESS DOOR SPECIFIED BY CUSTOMER AND SHIPPED SEPARATELY UNDER MODEL NUMBERS SHOWN ABOVE:

Haws Corporation

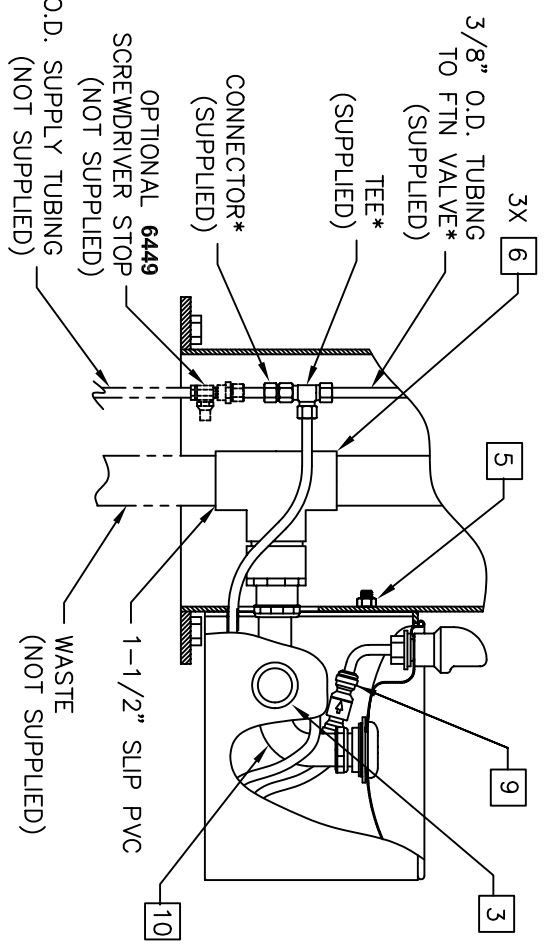
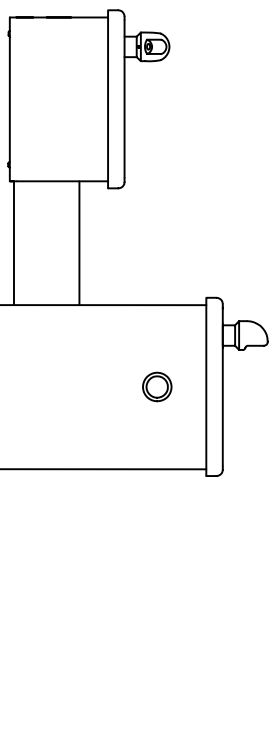
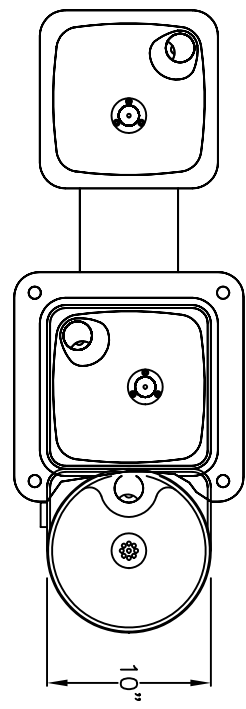
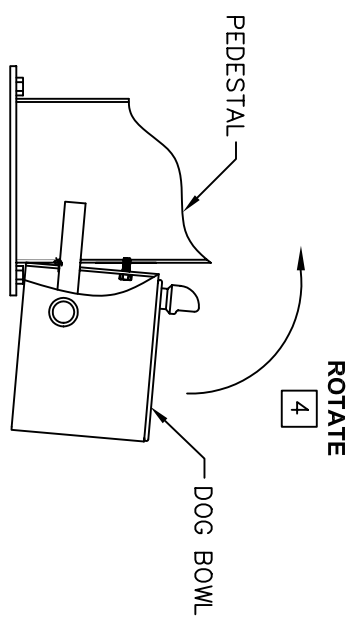
1455 KLEPPE LANE
SPARKS, NEVADA 89431
(775) 359-4712 FAX (775) 359-7424
E-MAIL: HAWS@HAWS.CO.COM
WEBSITE: WWW.HAWS.CO.COM

EQUIP. NO.:	DATE:	APPROVED:	DRAWN:
35000/3500D	02/04/99		
MODEL(S):	INFO FAX DOC #:	OPERATING TYPE:	INSTALLATION/EXHIBIT:
35000/3500D	23500/235003		
CONTRACT NO.:	DATE:	SIZE:	SHEET:
0002077448 D		A	1 OF 2

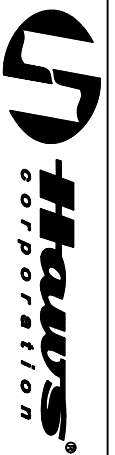
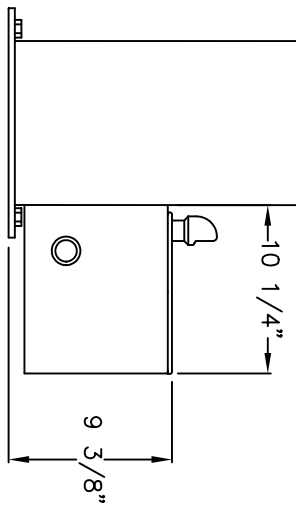
NOTES: (CONTINUED)

- 4 SLIDE DOWELS ON DOG BOWL INTO HOLES OF PEDESTAL AND ROTATE UPWARD.
- 5 INSTALL 7/16-14UNC NUT ON STUD AND TIGHTEN 3/4 TURN PAST HAND TIGHT.
- 6 BOND JOINTS WITH PVC CEMENT AND PRIMER.
- 7. APPLY SUPPLY HOSE AND WASTE LINE.
- 8. TEST SYSTEM AFTER ASSEMBLY.
- 9 A CHECK VALVE IS INSTALLED IN THIS LOCATION TO PREVENT CROSS CONNECTION BETWEEN BUBBLERS.

- 10 NOTE: DRAINAGE ASSEMBLY SLIDES VERTICALLY ON HOLDER. UPON COMPLETION OF INSTALLATION, PUSH UP ON BOTTOM OF ELBOW TO ENSURE POSITIVE DRAINAGE OF WASTE.



**MODEL 3500D SHOWN
(SEE SHEET 1 FOR MODEL 3500)**



1455 KLEPPE LANE
SPARKS, NEVADA 89431
(775) 359-4712 FAX (775) 359-7424
E-MAIL: HAW@HAWSCO.COM
WEBSITE: WWW.HAWSCO.COM

EDITION:	REVISIONS:	MODEL(S):	DATE:	DATE:	DATE:
ECON: 4423	HMM	3500/3500D	06/06/00	06/06/00	06/06/00
INFO FAX DOC #:	23500/235003	SCALE:	1:12	DRAWING TYPE:	INSTALLATION/EXHIBIT
PROJECT NUMBER:	0002077448.D	DATE:	12/12/00	SHEET:	2 OF 2
DRAWING NUMBER:	13962C	REV:	12		