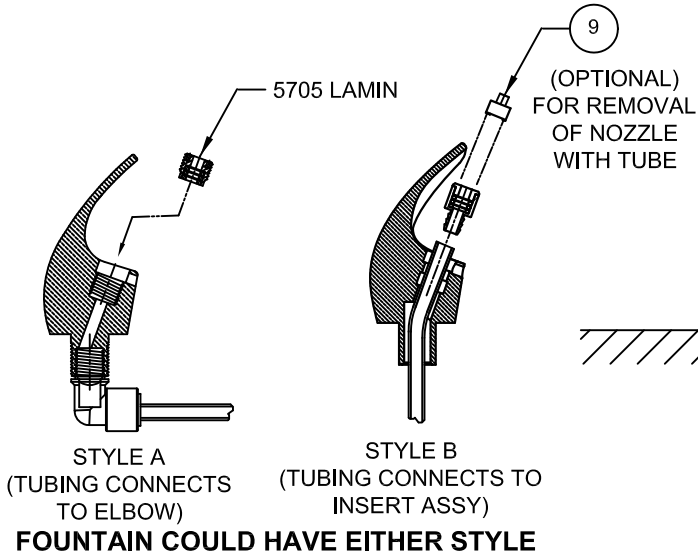
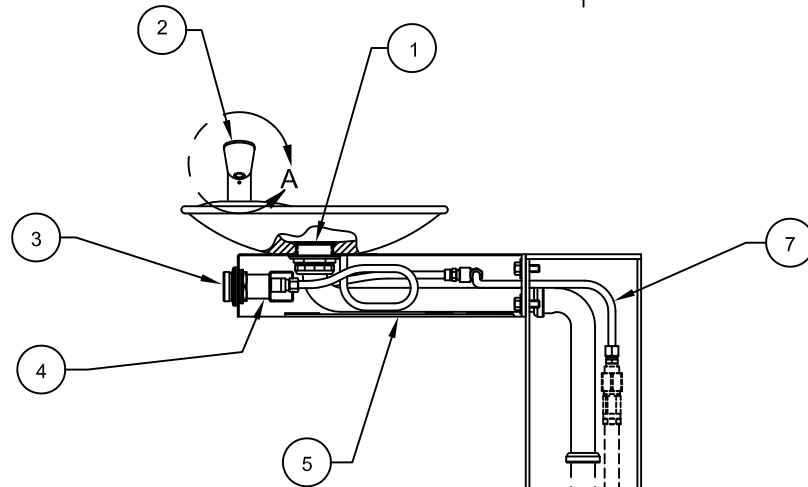
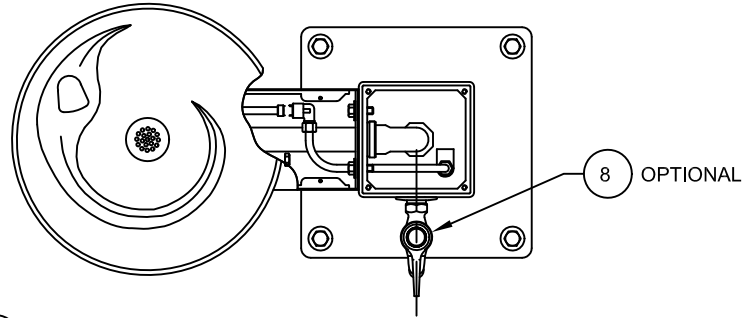
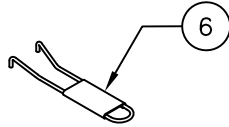
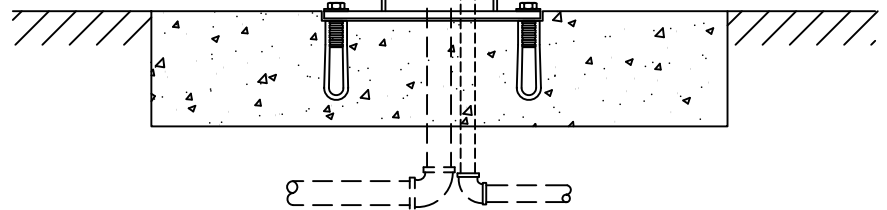


PARTS BREAKDOWN

ITEM	DESCRIPTION	PART NO.
1	STRAINER ASSY 6463	6463
2	HEAD W/LAMINAR INSERT (STYLE A OR STYLE B)	5705
3	PUSH BUTTON ASSY	PBA6
4	VALVE	5874
5	BOTTOM PLATE	PBM1000
6	SPANNER WRENCH	0006983506
7	SUPPLY TUBING Ø 3/8"	-
8	BIB FAUCET (OPTIONAL)	6250LF
9	DRIVER, NOZZLE .25 HEX	0002082253



DETAIL A
ROTATED 90° INTO VIEW



 Haws [®]		1455 KLEPPE LANE SPARKS, NEVADA 89431 (775) 359-4712 FAX (755) 359-7424 E-MAIL: HAWS@HAWS.CO.COM WEBSITE: WWW.HAWS.CO.COM	
		ECN NO. REVISED PER BY ECN: 4646 HM	MODEL(S) 33771/3377G
DRAWN RTM	DATE 10/20/98	CHKD DATE	REV 11
APPROVED		SCALE: 1:5	DRAWING TYPE: PARTS BREAKDOWN
WHEN ORDERING PARTS PLEASE SPECIFY MODEL NUMBER.		SIZE: A	SHEET 1 OF 1