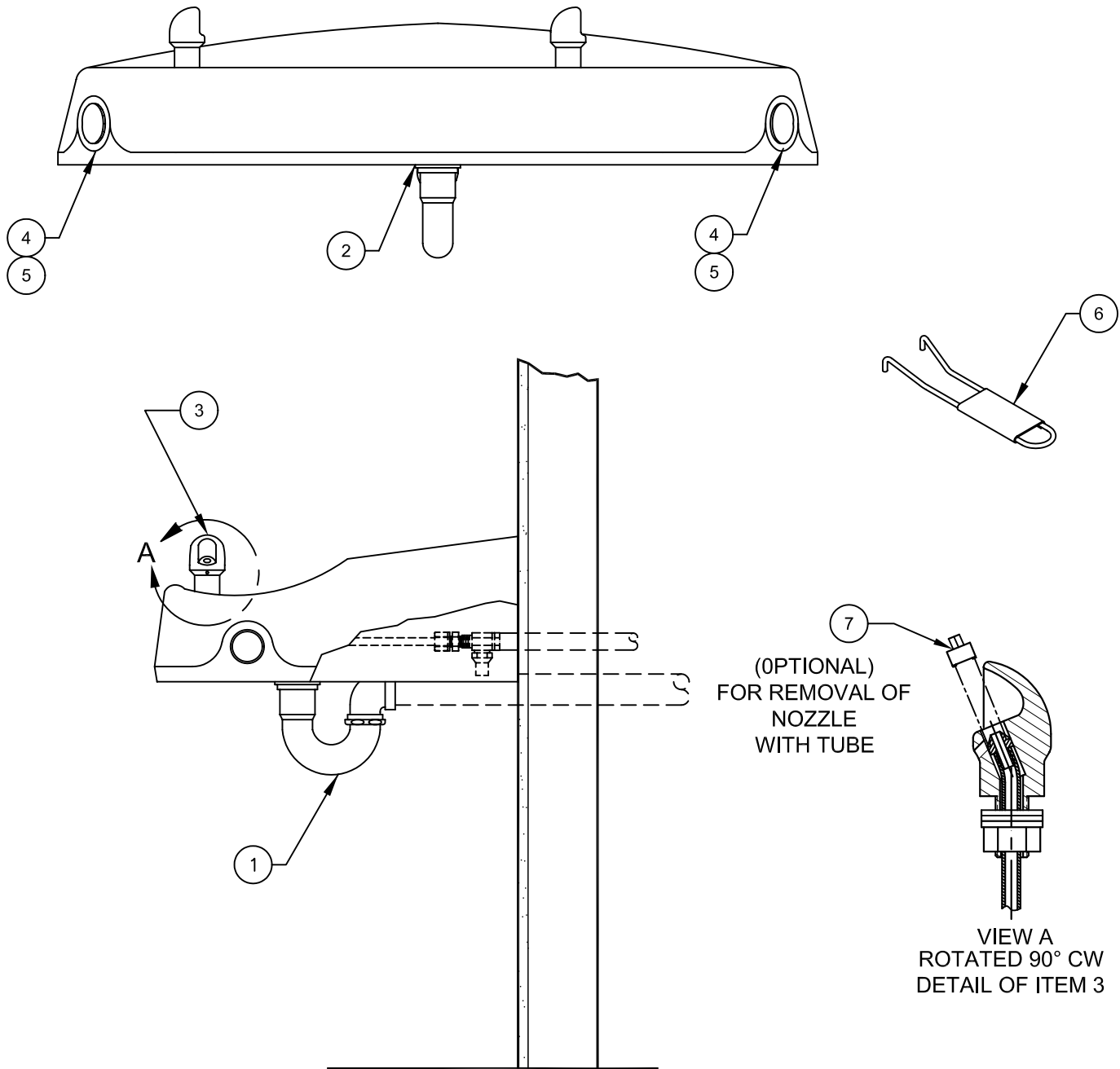


ITEM	DESCRIPTION	PART NO.
1	TRAP	0005987000
2	STRAINER ASSY	6454
3	BUBBLER HEAD	5703M
4	PUSH BTN ASSY	PBA7
5	VALVE	5874SS
6	SPANNER WRENCH	0006983506
7	DRIVER, NOZZLE .25 HEX	0002082253

PARTS BREAKDOWN



1455 KLEPPE LANE
 SPARKS, NEVADA 89431
 (775) 359-4712 FAX (755) 359-7424
 E-MAIL: HAWS@HAWS.CO.COM
 WEBSITE: WWW.HAWS.CO.COM

ECN NO.	REVISED PER	BY	MODEL(S)	PART NUMBER
	ECN: 4603	HM	1441	0002076867
DRAWN	DATE	CHKD		DRAWING NO.
D. OLLOM	11/25/95			12798C00
APPROVED	DATE		SCALE: 1:8	DRAWING TYPE: PARTS BREAKDOWN
			SIZE: A	SHEET 1 OF 1

WHEN ORDERING PARTS PLEASE SPECIFY MODEL NUMBER.