

NOTES:

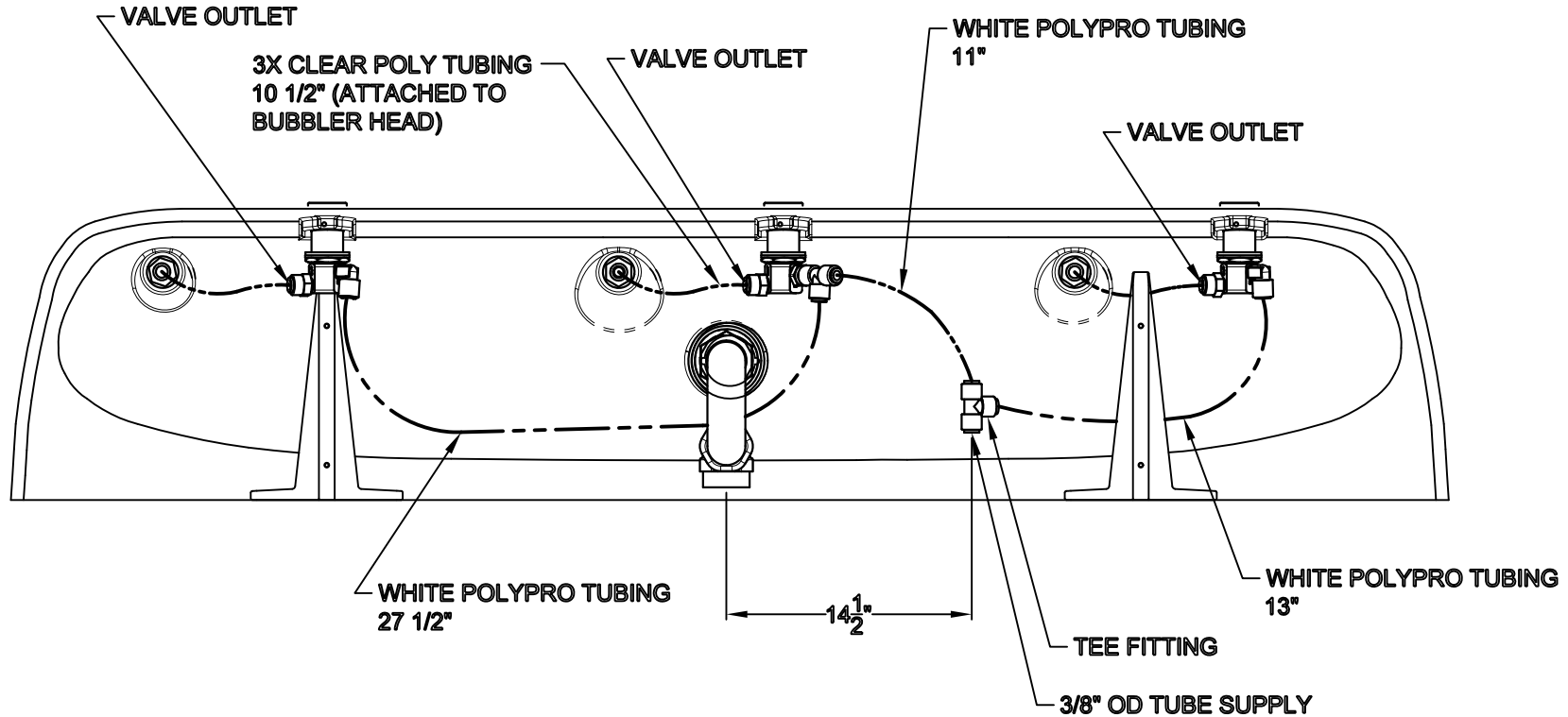
1. ROUGH-IN DIMENSIONS MAY VARY $\pm 1/4"$ (6.4mm)
2. WHEN INSTALLING THIS UNIT LOCAL, STATE OR FEDERAL CODES SHOULD BE ADHERED TO. FOR INSTALLATION HEIGHTS OTHER THAN SHOWN, DIMENSIONS MARKED (*) MUST BE ADJUSTED ACCORDINGLY.
3. REFER TO 5874SS/VRK5874 OPERATION AND MAINTENANCE MANUAL FOR PUSH BUTTON AND VALVE INSTALLATION/MAINTENANCE INSTRUCTIONS.

(NOTES CONTINUED ON SHEET 2 OF 2)

			1455 KLEPPE LANE SPARKS, NEVADA 89431 (775) 359-4712 FAX (775) 359-7424 E-MAIL: HAWS@HAWS.CO.COM WEBSITE: WWW.HAWS.CO.COM	
			ECN NO. REVISED PER BY: ECN: 4899 HM	MODEL(S) 1435 THREE BUBBLER FOUNTAIN
DRAWN: C.L.	DATE: 11/81	CHKD.:	DRAWING NO.: 09922C00	REV. 15
APPROVED:	DATE:	SCALE: 1:11	DRAWING TYPE: INSTALLATION	SIZE: A SHEET 1 OF 2

NOTES: (CONTINUED)

4. CONNECT WHITE "POLYPROPYLENE" TUBING ON PRESSURE SIDE (INLET) OF VALVE.
5. CONNECT CLEAR "POLYETHYLENE" TUBING ON FREE FLOW SIDE (VALVE TO BUBBLER HEAD) ONLY.



TUBING ROUTING DETAIL
BOTTOM VIEW

		Haws [®]		1455 KLEPPE LANE SPARKS, NEVADA 89431 (775) 359-4712 FAX (775) 359-7424 E-MAIL: HAWS@HAWS.CO.COM WEBSITE: WWW.HAWS.CO.COM	
				ECN NO. REVISED PER BY: ECN: 4893 HM	MODEL(S) 1435 THREE BUBBLER FOUNTAIN
DRAWN: C.M.	DATE: 11/01	CHKD.:	DRAWING NO.: 09922C00	REV. 15	SCALE: 1:11 DRAWING TYPE: INSTALLATION SIZE: A SHEET 2 OF 2