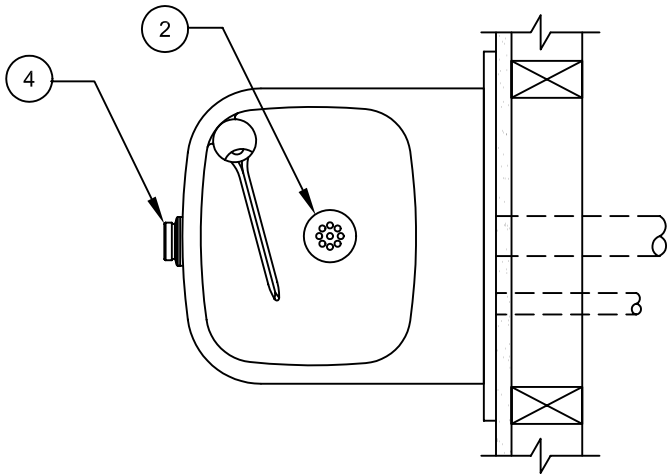
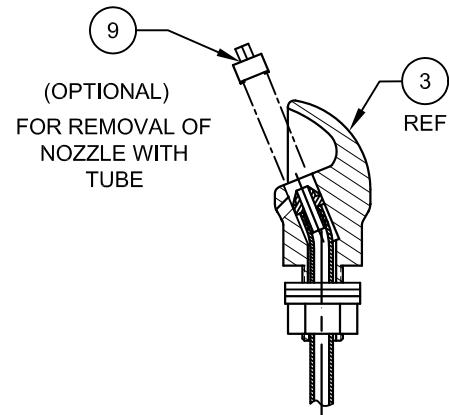
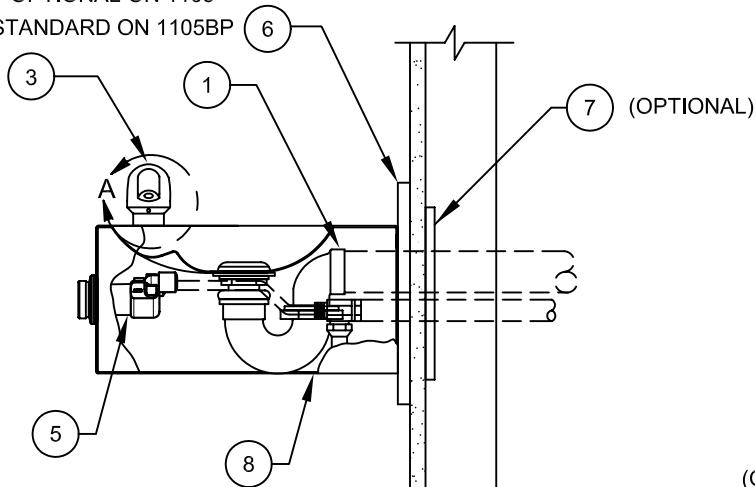


PARTS BREAKDOWN

ITEM	DESCRIPTION
1	TRAP 0005982900
2	STRAINER ASSEMBLY 6462
3	BUBBLER HEAD 5703M
4	PUSH BUTTON ASSEMBLY PBA6
5	VALVE 5874 SS
6	BACK PANEL BP3
OPTIONAL 7	MOUNTING PLATE 6700
8	ACCESS PLATE PBM1105
OPTIONAL 9	DRIVER, NOZZLE .25 HEX 0002082253



OPTIONAL ON 1105
STANDARD ON 1105BP



DETAIL A
ROTATED 90° CW



Haws®

1455 KLEPPE LANE
SPARKS, NEVADA 89431
(775) 359-4712 FAX (755) 359-7424
E-MAIL: HAWS@HAWSCO.COM
WEBSITE: WWW.HAWSCO.COM

ECN NO.	REVISED PER	BY	MODEL(S)	PART NUMBER
	ECN:4603	HM	1105/1105BP	0002076524
DRAWN	DATE	CHKD		DRAWING NO.
F. VASQUEZ	04/10/98			13374C00
APPROVED	DATE		SCALE: 1:1	DRAWING TYPE: INSTALLATION
			SIZE: A	SHEET 1 OF 1

WHEN ORDERING PARTS PLEASE SPECIFY MODEL NUMBER.