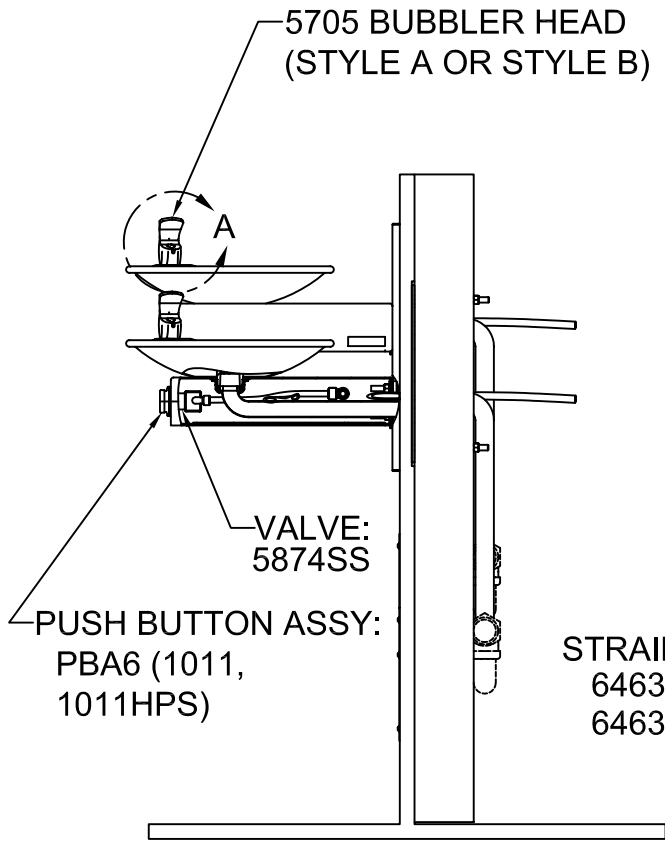


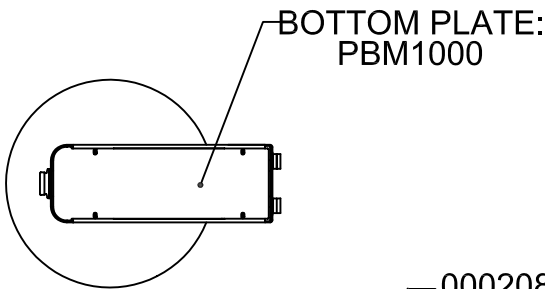
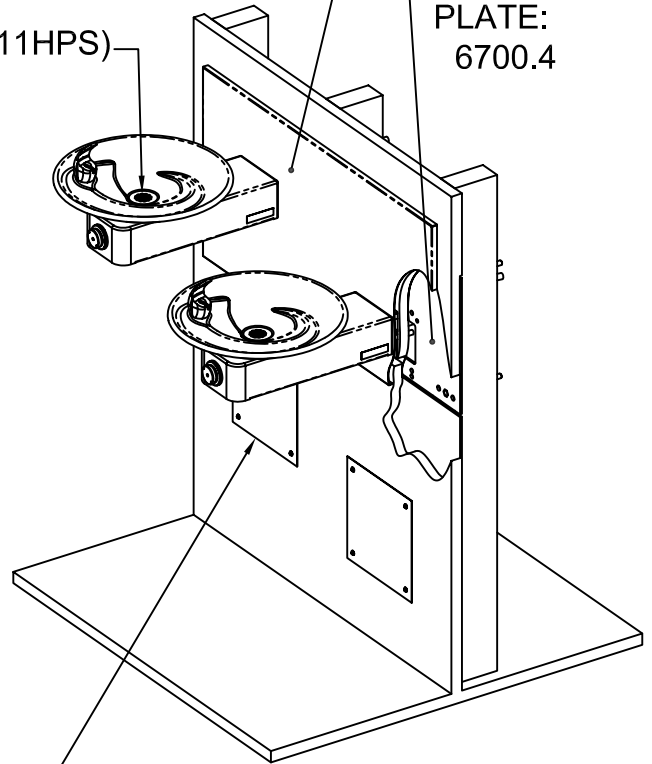
# PARTS BREAKDOWN



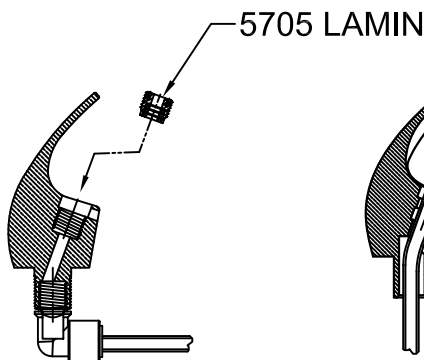
BACK PANEL:  
0004012000 (1011)  
0004012023 (1011HPS)

STRAINER:  
6463 (1011)  
6463PCP (1011HPS)

MOUNTING  
PLATE:  
6700.4



0002082253  
(OPTIONAL)  
FOR REMOVAL  
OF NOZZLE  
WITH TUBE



STYLE A  
(TUBING CONNECTS  
TO ELBOW)

STYLE B  
(TUBING CONNECTS TO  
INSERT ASSY)

TRAP ACCESS PANEL (OPTIONAL):  
6603 (1011)  
6603HPS (1011HPS)

**FOUNTAIN COULD HAVE EITHER STYLE**

DETAIL A  
ROTATED 90° INTO VIEW

 <b>Haws</b> <sup>®</sup>		1455 KLEPPE LANE SPARKS, NEVADA 89431 (775) 359-4712 FAX (775) 359-7424 E-MAIL: HAWS@HAWS.CO.COM WEBSITE: WWW.HAWS.CO.COM	
		ECN NO: 4003 REVISION: 4003 BY: HM	MODEL(S) 1011/1011HPS
DRAWN: RM DATE: 10/19/08	CHECKED: RM DATE:	DRAWING NO.: 15991A00	REV. 16
APPROVED:	DATE:	SCALE: 1:1	DRAWING TYPE: PARTS BREAKDOWN
		SIZE: A	SHEET 1 OF 1

**WHEN ORDERING PARTS PLEASE SPECIFY YOUR MODEL NUMBER**