



SWIVELLING FRONT-MOUNTED PLOUGHS FOR TRACTORS AM HMC AND AM HMK

**Environmentally
friendly snow
clearance**



AM HMC and AM HMK swivelling front-mounted ploughs are designed for tractors and other road-maintenance equipment. AM HMC's cylinder-shaped wing enables proper snow ejection even at low speeds, which makes this plough an excellent choice for urban areas.

AM HMK's conical wing enhances snow ejection when ploughing at high speeds. You can equip both ploughs with elastic polyurethane blades, which substantially reduces ploughing noise and vibration.

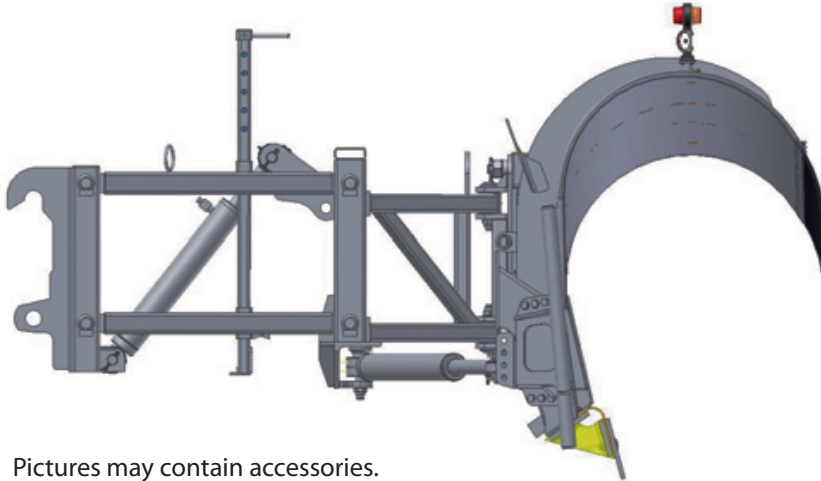


ROAD INTELLIGENCE

Safe choice for demanding conditions

AM 3200 HMC, 3700 HMC, and 3700 HMK are swivelling front-mounted ploughs. Their sturdy framework makes them ideal for professional use in harsh conditions.

Optional polyurethane blades enhance ploughing and protect road markings. Additionally, they ensure very low ploughing noise, making nightly snow removal considerably less disturbing in residential areas. The elastic blades are also easy to maintain since they don't have any parts that wear easily.



Pictures may contain accessories.

Technical information	AM 3200 HMC TR	AM 3700 HMC TR	AM 3700 HMK TR
Ploughing width (max)	3,200 mm	3,700 mm	3,700 mm
Transportation size (max)	3,400 mm	3,900 mm	3,800 mm
Ploughing width (min)	2,600 mm	3,000 mm	3,000 mm
Transportation size (min)	2,800 mm	3,210 mm	3,200 mm
Wing height	1,100 mm	1,100 mm	1,100/1,450 mm
Ploughing angle	35° / 35°	35° / 35°	35° / 35°
Blade angle, elastic blade	75°	75°	75°
Blade angle, fixed blade	65°	65°	65°
Wing thickness	3 mm	3 mm	3 mm
Weight	1,000 kg	1,150 kg	1,150 kg
Lifting cylinder	1	1	1
Swivelling cylinder	2	2	2

Head Office:

Arctic Machine Oy, Karsikonmäentie 1, FI-77800 Iisvesi, Finland
 Tel. +358 (0)20 7791 500, fax +358 (0)20 7791 501
 am@arcticmachine.com, www.arcticmachine.com

Copyright © Arctic Machine Oy. All rights reserved.

