



**SPIERINGS  
KRAMEN**

Mark: **SPIERINGS** Type: **SK598-AT5**

**Crane identification**

Serial number:

Year of construction:

Crane group : 3 as per NEN 2018  
 Loadspectrum : 2 as per NEN 2018  
 Classification : A as per NEN 2018  
 Stability : as per NEN 2022

Identification-  
number  
**92 tm**

Max. load  
**8,0 tonne**

Max. radius  
with max. load  
**12,8 m**

Max. capacity  
**103 tm**

Max. jiblength  
**48 m**

**Speeds**

Jib horizontal / jib 30° luffed

	m/min	kg
	20	8000
	30	4000
	45	2000
	75	0
	0 - 70 m/min	
	0-0,8 rpm	

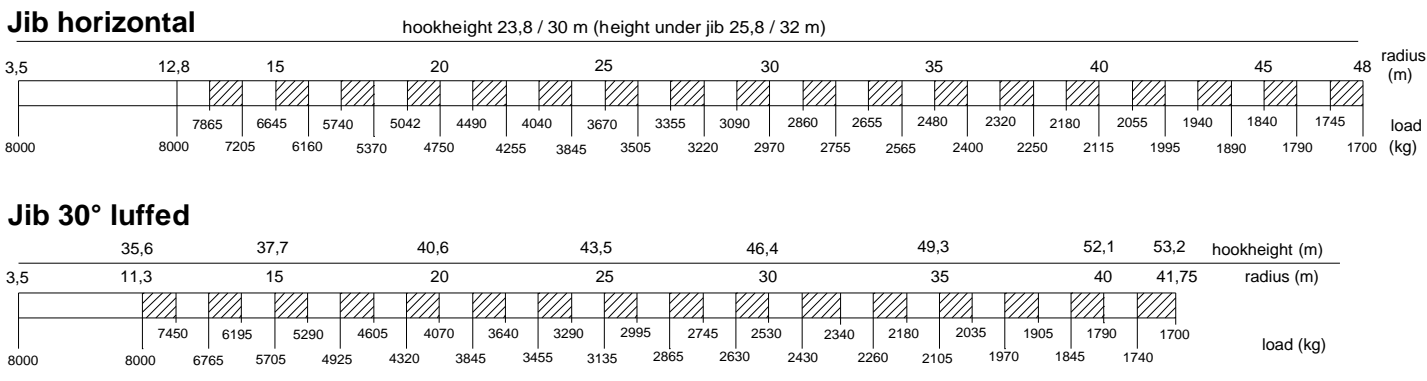
All motions with hydraulic proportional controls  
 Luffing the jib 30° can be controlled from crane cab or via remote control

Driving with erected tower and jib, only with the jib horizontal and positioned over the front carriage, platform locked to the carrier and the outriggers fully extended (max. inclination 2°)  
 Rated lifting capacity is net capacity

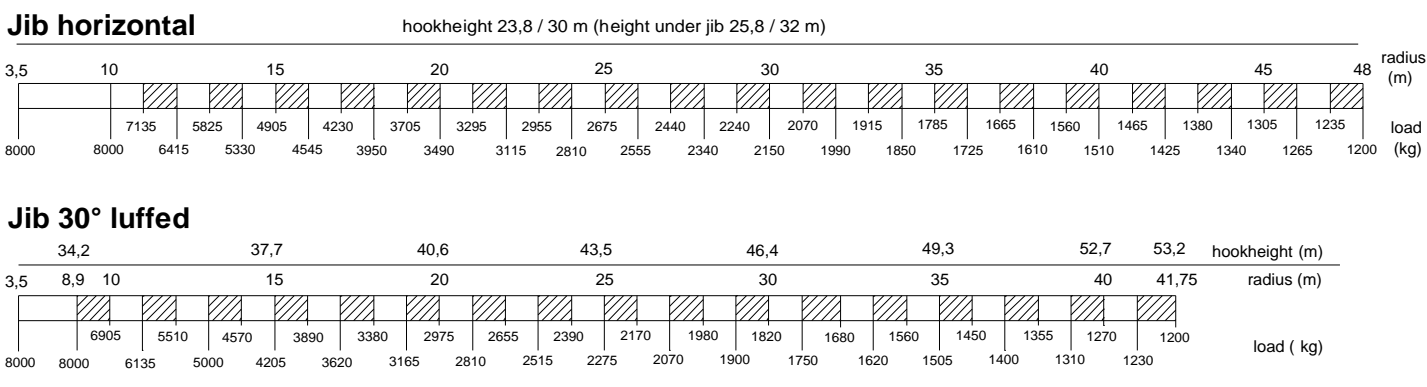
Crane equipped with full counterweight: 8700 kg  
 360° continuous slewing, with outriggers out and down  
 2 Outriggers positions: 7,20 x 7,20 m  
 7,20 x 5,65 m

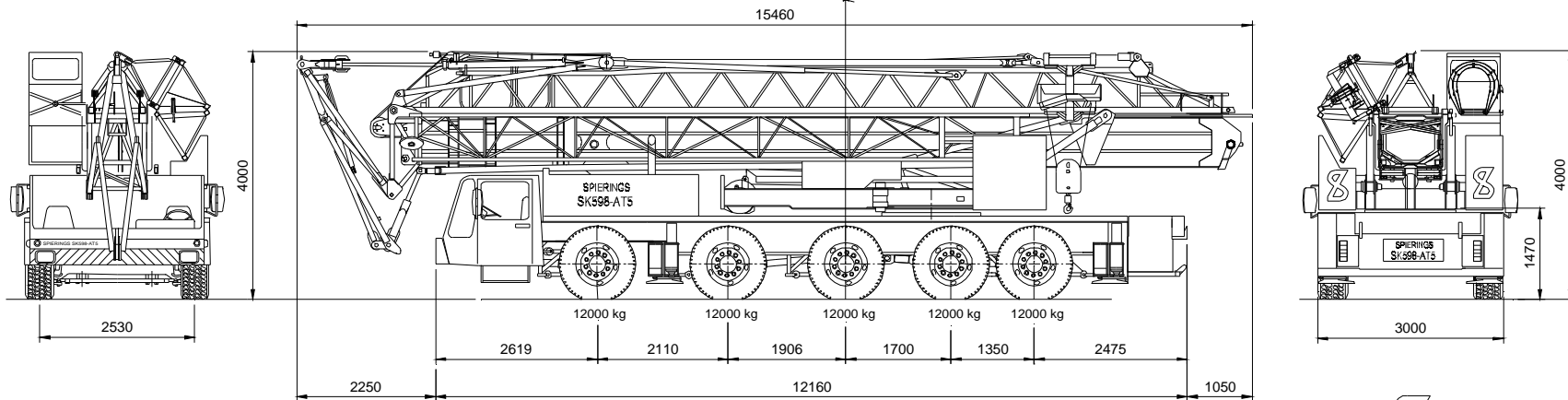
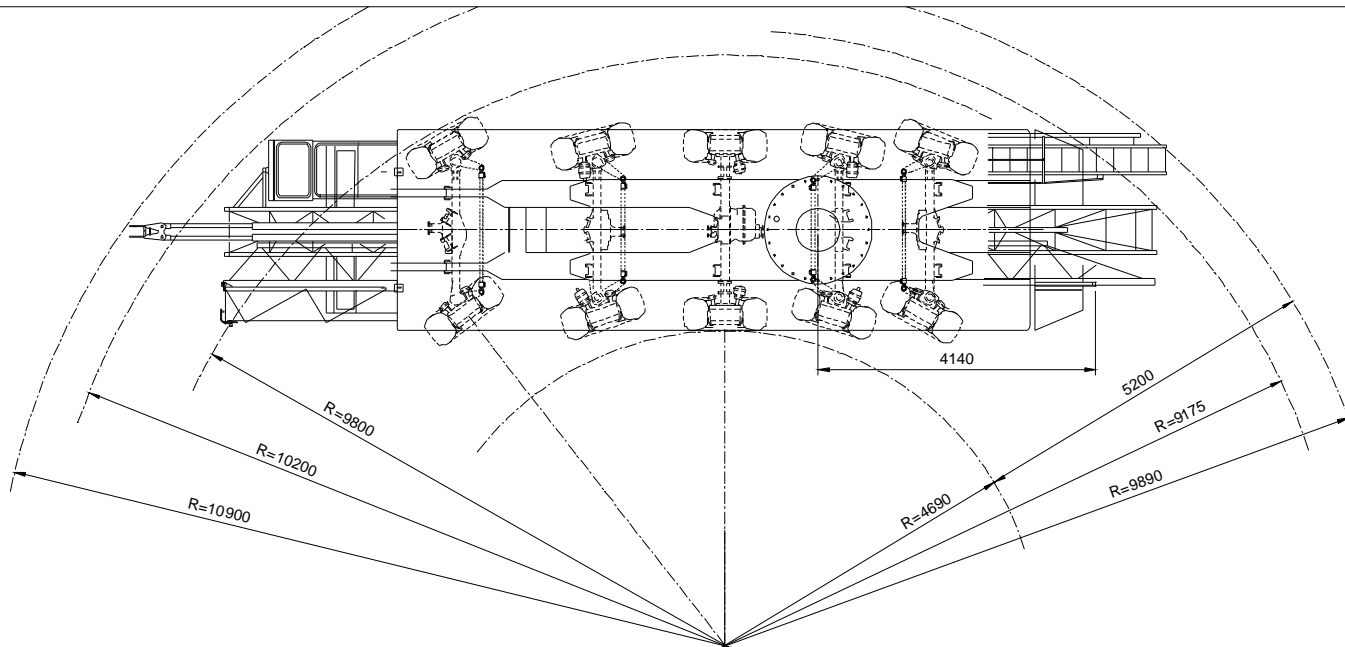
Operation allowed up to a windforce of 8 on the Beaufortscale. (wind speed 20 m/sec.)  
 Sail area of the load max. 1,0 m<sup>2</sup>/ tonne at a windforce of 8 on the Beaufortscale.  
 Operating temperature range from -15° to 40° C.  
 In all cases 2 parts of line  
 Max. line pull force 4000 kg  
 The crane should be folded in at a windforce >10 (24m/sec) or when not in use for a longer period

**LIFTING CHART Outrigger spread 7,20 m x 7,20 m**



**LIFTING CHART Outrigger spread 7,20 m x 5,65 m**





# SPIERINGS HYDRAULIC FOLDING CRANE

## SK 598 - AT5

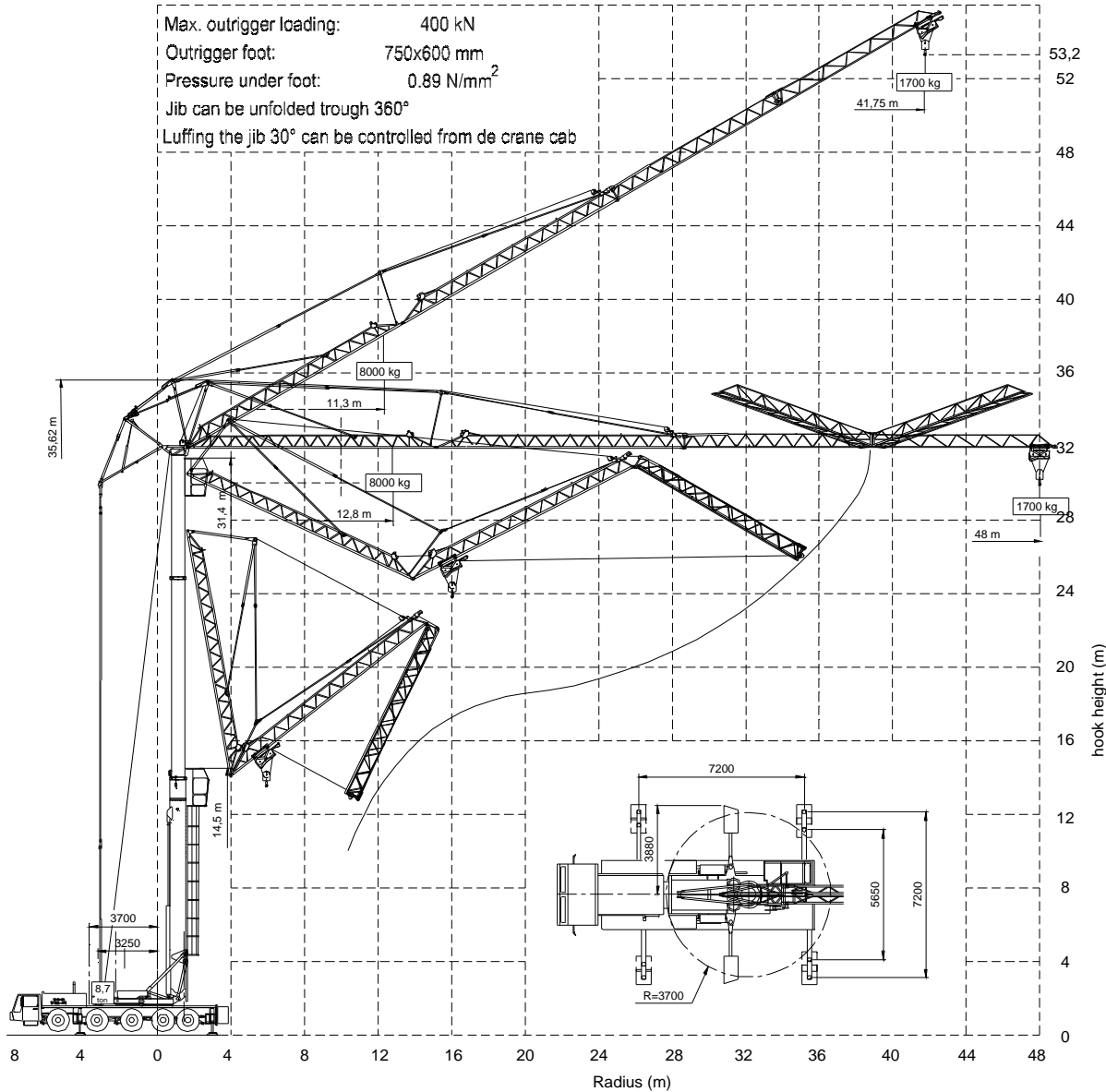


Merwedestraat 15  
 5347 KZ Oss NL  
 Tel. 0412-626964  
 Fax 0412-645299

Total weight: 60000kg  
 Changes subject to modifications

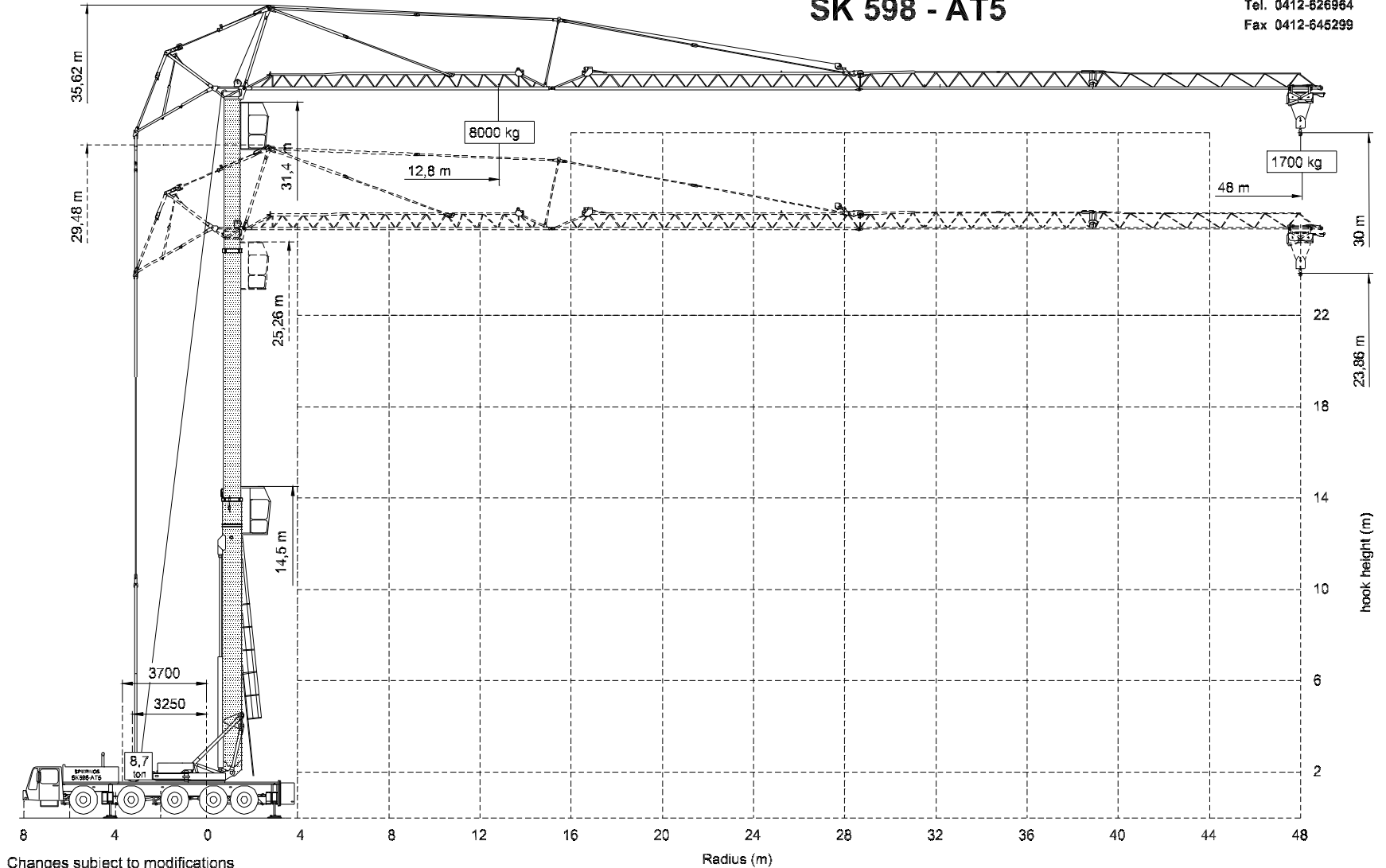
# SPIERINGS HYDRAULIC FOLDING CRANE SK 598 - AT5

Max. outrigger loading: 400 kN  
 Outrigger foot: 750x600 mm  
 Pressure under foot: 0.89 N/mm<sup>2</sup>  
 Jib can be unfolded trough 360°  
 Luffing the jib 30° can be controlled from de crane cab



# SPIERINGS HYDRAULIC FOLDING CRANE SK 598 - AT5

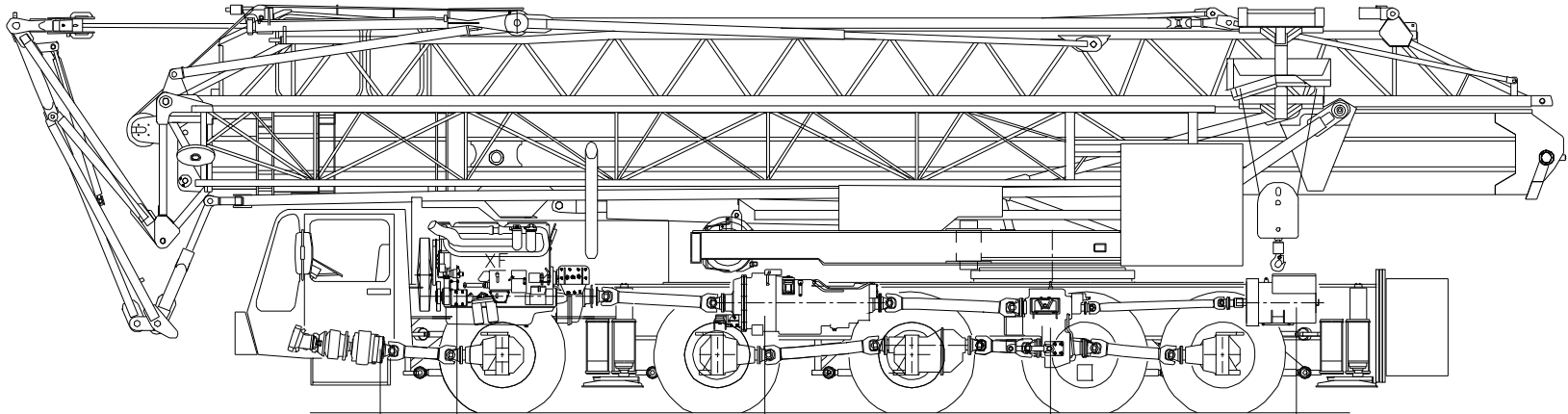

**SPIERINGS  
KRANEN** bv  
 Merwedestraat 15  
 5347 KZ Oss NL  
 Tel. 0412-626964  
 Fax 0412-645299



Changes subject to modifications



## Drive train SPIERINGS SK598-AT5



Hydraulic front axle drive  
HYAUDINE hydro-adj. motor A6VM  
BREVINI planetary gearbox:  
ED 2090 FE / 14,3

Axle 1  
Axle 2

Diesel engine :  
DAF XF 315M  
Power: 315 Kw (2000 rpm)  
Torque: 1900 Nm (1050 rpm)

Axle 3

Gearbox  
ZF 16S221 + WSK400  
Manually operated with air power ass.  
+ Dry plate clutch  
+ intarder

Axle 4  
Axle 5

Transfercase  
STEYR VG2001/396  
Road gear  $i=1:0,89$   
Off-road gear  $i=1:1,54$

Generator:  
LSA 44.1M4 - 85kVA

Axles 1,2,3 and 5 : GINAF axles with DAF drive components  
Axle 4 : GINAF axle, not driven  
Suspension: Hydro-pneumatic on all axles, stroke ram 210 mm  
Max. speed carrier : 80 km/h  
Min. speed carrier (engine speed 1000 rpm) : 1,6 km/h

## SPIERINGS HYDRAULIC FOLDING CRANE Typ SK598-AT5


**SPIERINGS  
KRANEN** bv  
 Merwedestraat 15  
 5347 KZ Oss NL  
 Tel. 0412-626964  
 Fax 0412-645299