

## **HS AW and AWL Headrests installation and instructions**

### **A. Installing the headrest:**

Remove the Protective Plug from the Backrest or Backrest Extension Track. (Fig 30)

Loosen the Headrest Stem Clamp. (Fig 31)

Insert the Headrest stem into the Track. (Fig 32)

Move to the desired height.

Tighten the Stem Clamp to secure in position.



Fig 30



Fig 31



Fig 32

### **B. Adjusting the Headrest**

#### **To change the headrest angle:**

Loosen the Headrest Pivot Screw. (Fig 33)

Move the Headrest Pad to the desired position.

Tighten the Headrest Pivot Screw to secure..

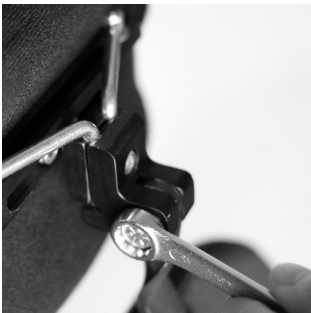


Fig 33

#### **To move the headrest forwards or backwards:**

##### **1. To rotate the Headrest Stem**

Remove the Headrest Pivot Screw and separate the Stem from the Headrest Block. (Fig 34)

Remove the Stem Clamp Screw and Stem Clamp.

Lift the Stem clear of the Track, rotate through 180 degrees and re-insert in the Track. (Fig 35)

Re-install the Stem Clamp and tighten to secure.

Install the headrest block on the Headrest Stem and replace the Pivot Screw.

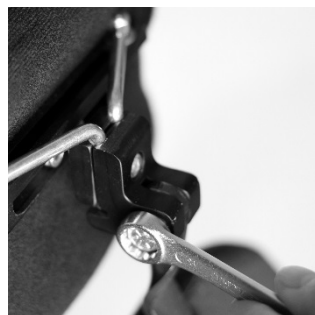


Fig 34

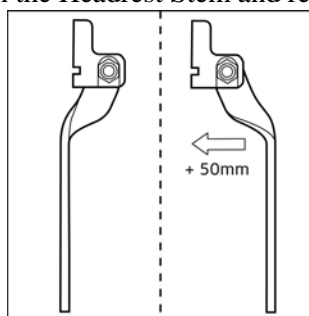


Fig 35

## 2. Adjusting the Link Arms

Loosen the Clamp Screw. (Fig 36)

Loosen the two Link Arm Nuts. (Fig 37)

Ensure the Link Arms rotate freely.

Move the headrest backwards or forwards to the required position. (Fig 38)

Tighten the Clamp Screw and Link Arm Nuts to secure the desired position.

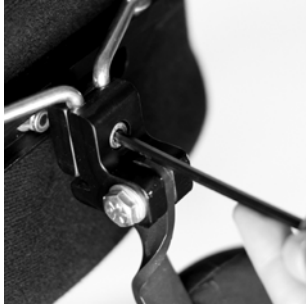


Fig 36

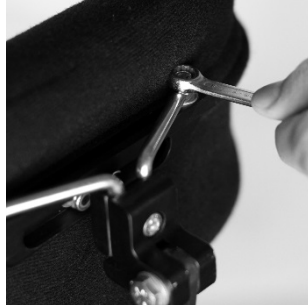


Fig 37

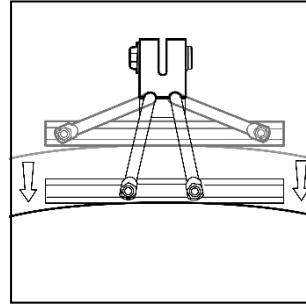


Fig 38

### **To rotate/displace the Headrest Pad from side to side:**

Loosen the Clamp Screw. (Fig 39)

Loosen the two Link Arm Nuts. (Fig 40)

Slide the Headrest Pad sideways and/or rotate the headrest to the new position. (Fig 41)

Tighten the Link Arm Nuts and Clamp Screw to secure.

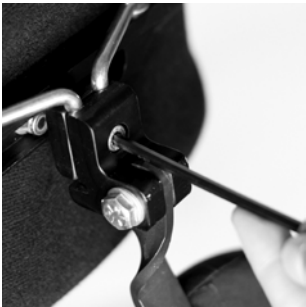


Fig 39

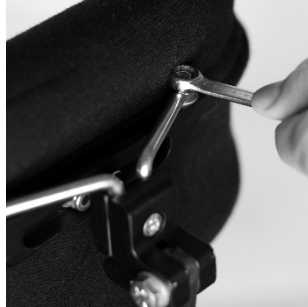


Fig 40

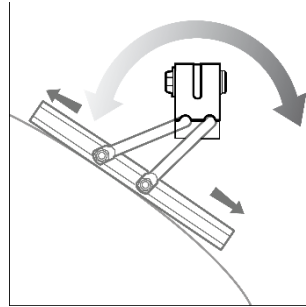


Fig 41

### **To rotate the Headrest Pad:**

Loosen the Headrest Track Screws. (Fig 42)

Rotate the Headrest Pad to the new position.

Tighten the Headrest Track Screws to secure.

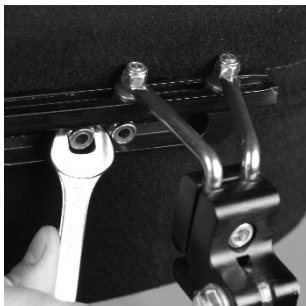


Fig 42