



PERFORMANCE
HEALTH PRODUCTS

User Guide

Cane mounted | Laterals

V-TRAK

CANE MOUNTED LATERAL - TSCM L/R

- 1 Formable Lateral plate with bend lines
- 2 Multi Axxis ball joint receiver Clamp Plate
- 3 Stainless steel contoured arm with Ball joint
- 4 Quick release button
- 5 Arm Pin clamp
- 6 Mounting block US 19/22/25mm

1 Attach the mounting block, using the specific spacer depending on the cane size. Once attached the mounting block can be moved on the cane to adjust height.

2 Once the mounting block is set the lateral arm and pad can be inserted into the mounting block. Then pull out the quick release button.

3 For quick release pull button out and the arm can then be moved away to allow for transfer. There are location holes that will allow for the arm to locate and remain out of the way. To return to original position just pull the quick release button out and rotate the arm until it locates.

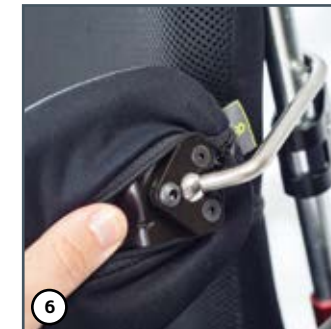
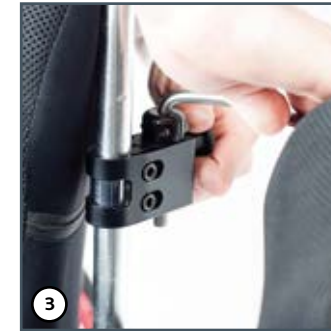
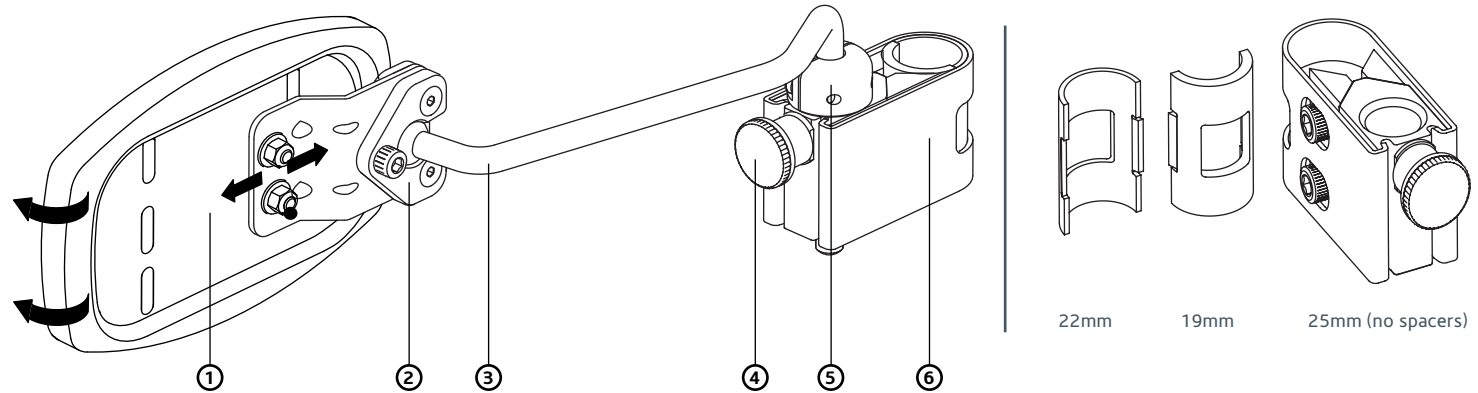
PLEASE ENSURE that the quick release button has fully engaged in the location hole and is in full contact with the mounting block. There should be an audible click and this will show the arm and pin has located safely and securely.

4 Once you have the desired position the pad can be formed to fit the patients contour by bending along the lasered bend lines.

5 The pad once mounted can be rotated on all axis's to obtain appropriate surface contact and comfort.

6 The 4mm allen key will lock the multi axis ball joint up additionally if desired for extra security the 3mm screws can be tightened.

7 For any final adjustments the arm can be rotated or raised by slackening the arm pin clamp.



PLEASE NOTE

⚠ Check parts and upholstered pads periodically for signs of wear or damage

⚠ Once you are happy with all positioning elements. **PLEASE TIGHTEN ALL SCREWS FOR SAFETY AND SECURITY**

⚠ The occupant's seating posture and the positioning of adjustable parts and accessories should be monitored closely and adjusted as directed by a healthcare professional.



PERFORMANCE HEALTH PRODUCTS LTD
UNIT 1, WESTSIDE CAMBRIAN INDUSTRIAL ESTATE, COEDCAE LANE, PONTYCLUN, WALES CF72 9EX
TEL +44 (0)1443 236 530 | FAX +44 (0)1443 239 355 | INFO@V-TRAK.COM | WWW.V-TRAK.COM

These instructions are intended to be a guide only and should not be used as a substitute for professional judgment. If there are any queries or any uncertainties please call us (01443 236 530) or email us info@v-trak.com for technical advice. Document Number: IFU16V1.0

