

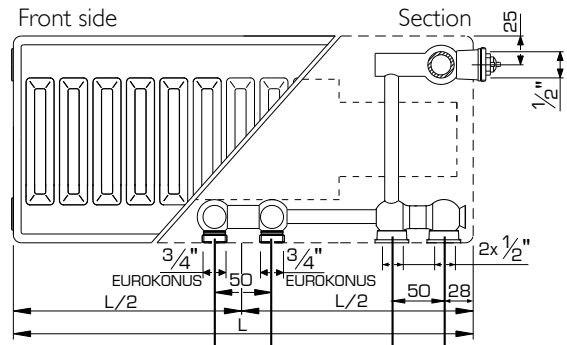
MOUNTING DIMENSIONS VALVE RADIATORS

Type 11

Novello ECO
Planar ECO · Planar Style ECO
ECO Galva

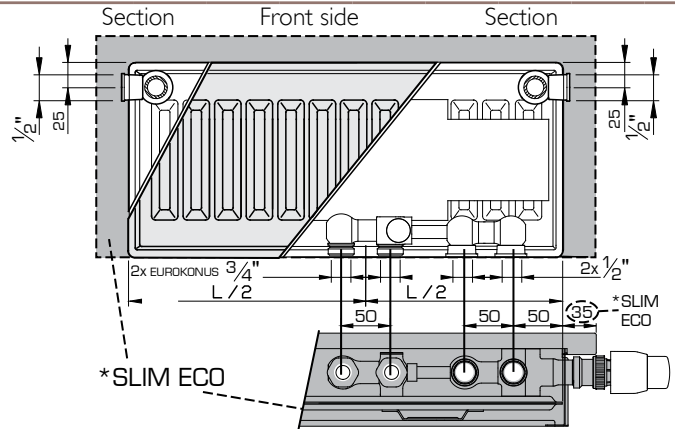
Type 10

Hygiene ECO
Hygiene ECO Galva



Type 21 / 22 / 33

Novello ECO
Planar Slim ECO*
Planar ECO
Planar Style ECO
ECO Galva

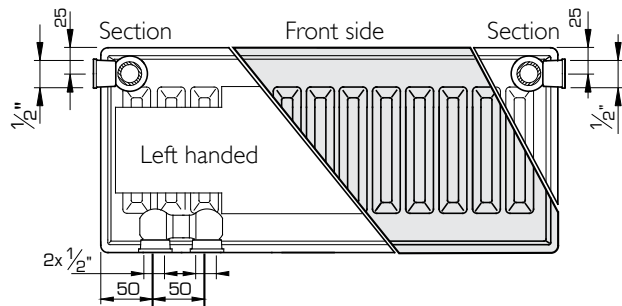


Type 20 / 30

Hygiene ECO
Hygiene ECO Galva

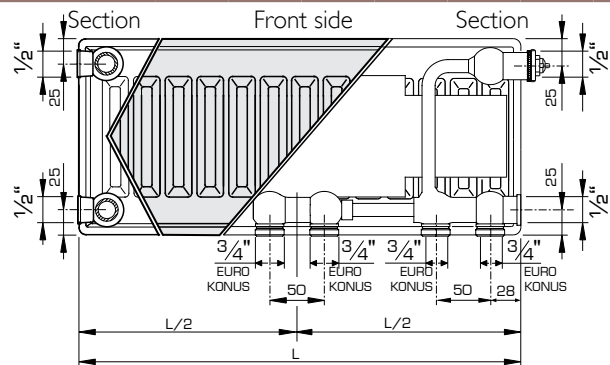
Type 21 / 22 / 33

Novello ECO - left handed



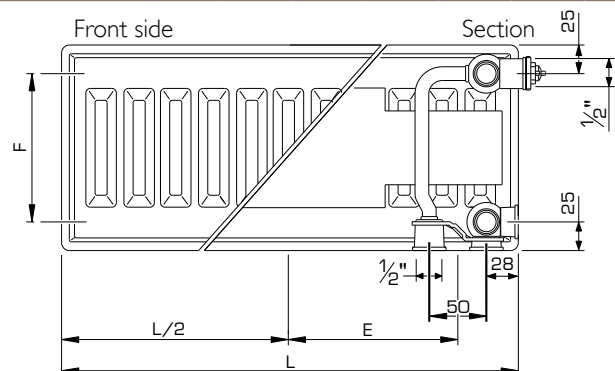
Type 11 / 21 / 22 / 33

Planar 8
Planar Style 8
Novello 8



Type 11 / 21 / 22 / 33

Planar
Planar Style
Novello



Type 22 / 33 / 44

Novello Plinth
Planar Plinth
Planar Style Plinth
Planar Plinth D
Planar Style Plinth D

L (mm)	400	500	600	700	800	900	1000	1100	1200	1400	1600	1800	2000	2200	2400	2600	2800	3000
E (mm)	147	197	247	297	347	397	447	497	547	647	747	847	947	1047	1147	1247	1347	1447

134 L: Length ; F: Centre distance = height - 50 mm ; minimum distance radiator bottom to floor: 120 mm. Connection possibilities: see page 129 ; Vertex Swing, Vertex Tango, Vertex Slim, Vertex Plan, Vertex Style, Vertical Galva, Vertex: see pages 70, 71 and 105