

## MAN eTGE

Streetline



\* view in the pictures can be different from the real vehicle

### BASE VEHICLE INFORMATION

	MAN	eTGE
DIMENSIONS, WEIGHT	Wheelbase, mm	3640 mm
	Length, mm	5986 mm
	Width, mm	2040 mm
	Height, mm	2590 mm
	Weight, kg	3500 kg
ENGINE, CHASSIS	Motor	Permanent-magnet synchronous motor
	Max. power	100 kw (136 hp)
	Max. torque	290 Nm
	Rated capacity	35.8 kWh
	Gearbox	1-speed gearbox
	Battery	Lithium-ion
	Max. range (based on WLTP)	110–115 km
	Max. range (based on NEDC)	173 km
	AC charging	Up to 7.2 kW
	DC charging	Up to 40 kW
Energy consumption	30.9–29.0 kWh/100 km	

### CONVERSION SPECIFICATION

ARTICLE	DESCRIPTION	QUANTITY
---------	-------------	----------

## CONVERSION

E1.05	<p>Primary conversion Streetline.</p> <ul style="list-style-type: none"> <li>- Electro installation, control unit with switches marked with corresponding icons, power switch,</li> <li>- General and night LED passenger compartment lighting mounted in roof,</li> <li>- Thermal and sound insulation,</li> <li>- Passenger compartment walls and ceiling covered with upholstery or artificial leather (fabric and colours are selected for particular Passenger compartment configuration),</li> <li>- Floor covered with anti-slippery floor material,</li> </ul>	1
-------	--	---

## SEATS

2.04M	<p>Tourist type seats standard leg-leg fixing (mounted on aluminium profile) 3p seat belts reclinable backrest reclinable armrest on aisle side magazine net, plastic rear side trimmed with fabric</p>	6
E2.04.03	Front seat part moquette, Kneitz	6
E2.04.04	Front seat part half-leather	6
E2.04.08	Head rest leather sewn into the upholstery	6
E2.04.09	Piping real leather	6

## ENTRANCE & EMERGENCY EXITS

### WINDOWS

### INTERIOR

E6.07	Windows partition finished in artificial leather	1
E6.08	Rear doors finished in fabric trim	1
E6.26	Grab handle at the entrance	2

### OTHER EQUIPMENT

E9.39	Glass-brake hammers, 2 pcs.	1
-------	-----------------------------	---

### ADDITIONAL EQUIPMENT

E11.07	Handles for rear door emergency opening	1
E11..01	Wall aluminum rails for wheelchair fastening	1
E11.07	Q-straint 3 point fixation system	1
E11.12	Internal lift D'Hollandia, electrically operated	1
E11.09	Additional handles in the passenger compartment	1
E5.18	Additional air ventilator in the saloon ceiling	1
E11.11	Power springs for rear door opening.	1
E9.24	Interior mirror spherical	1
	Mounting mechanical step	1
	Inside and outside litgining	1

Rail to hang q-strain equipment	1
NMI kit, 1 pcs	1
Preparation for children sign	1
Extended lift ramp	1
Convector + blower	1

## OPTIONAL EQUIPMENT

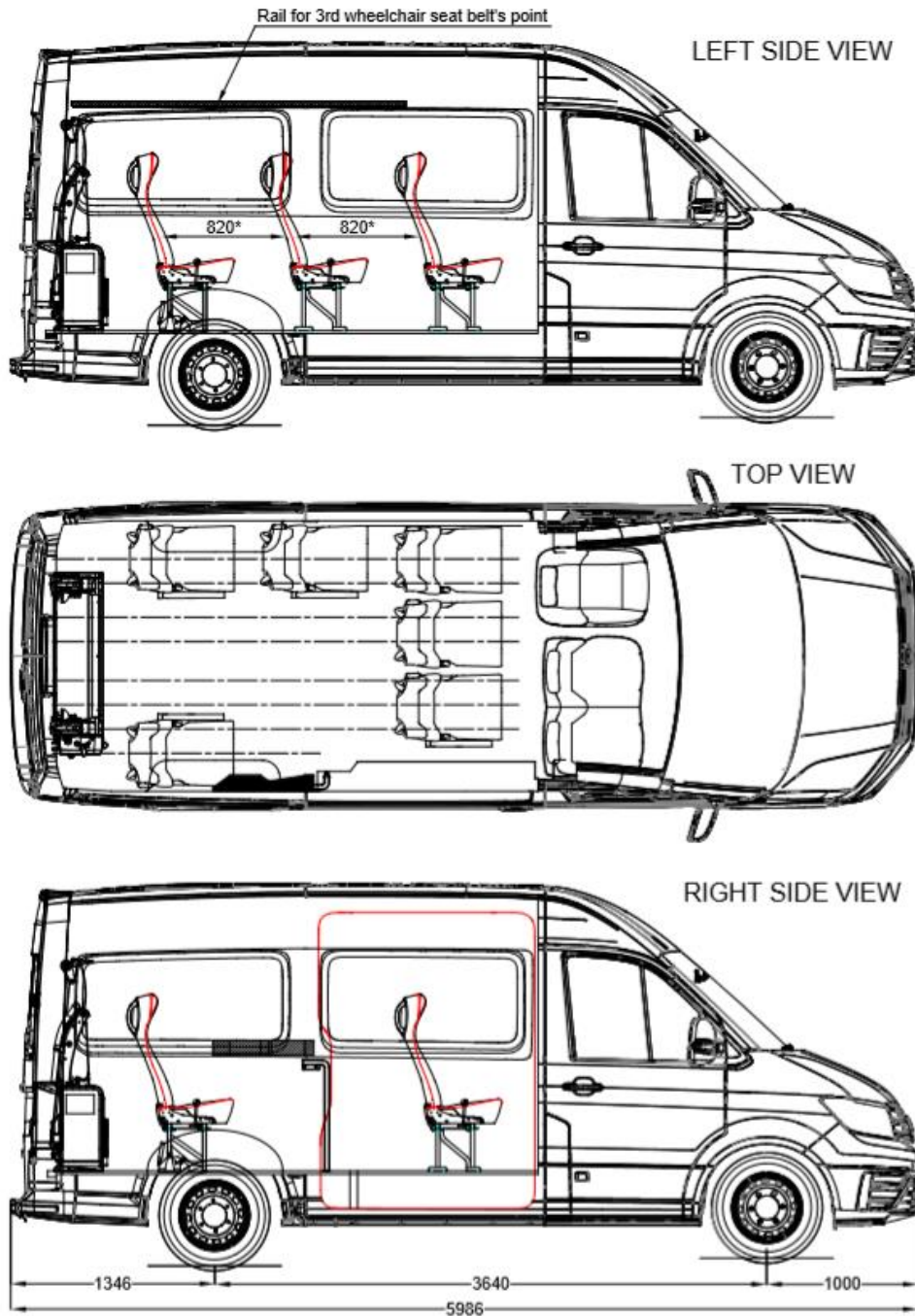
E2.05	Driver's seat sewing up with passenger seats material
E4.01	Double-glazed side windows into original places (dark grey colour)
9.03	Ignition interlock device DRAGER 7000
E9.21	USB socket in the passenger compartment Defa full kit + battery charger 2x12A
E4.05	Single-glazed rear door windows, non heatable
E4.06	Electric side sliding door opening mechanism Autocool



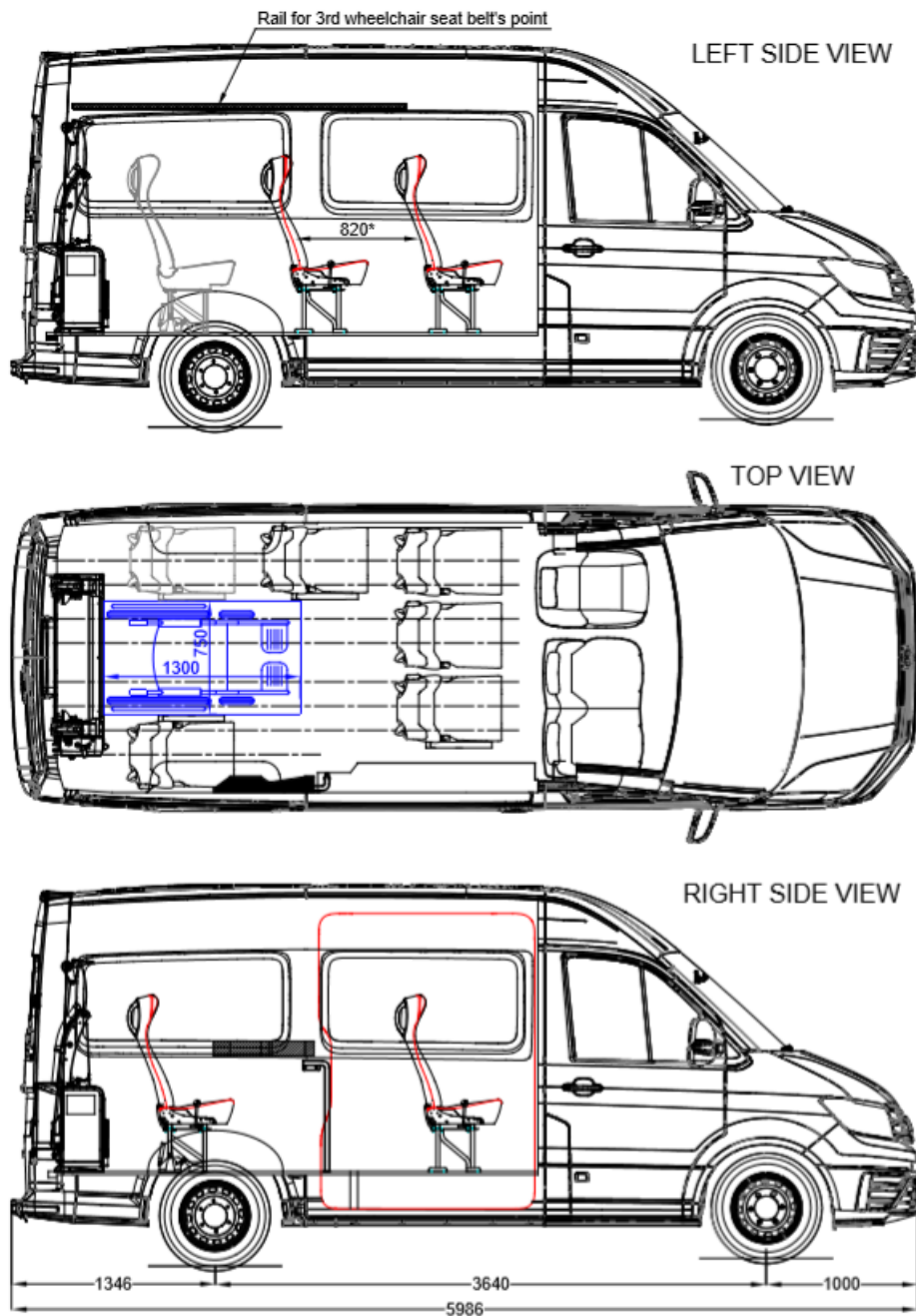
\* view in the pictures can be different from the real vehicle

## SCHEMES

### SEATING SCHEME

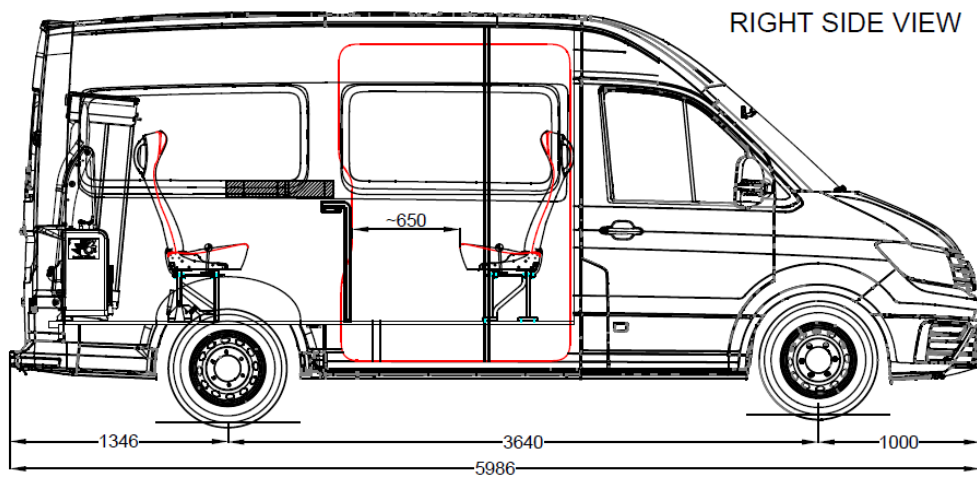
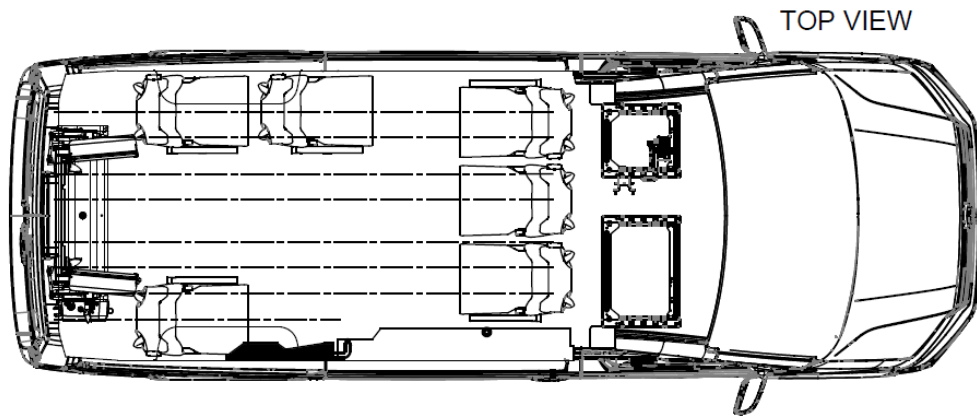
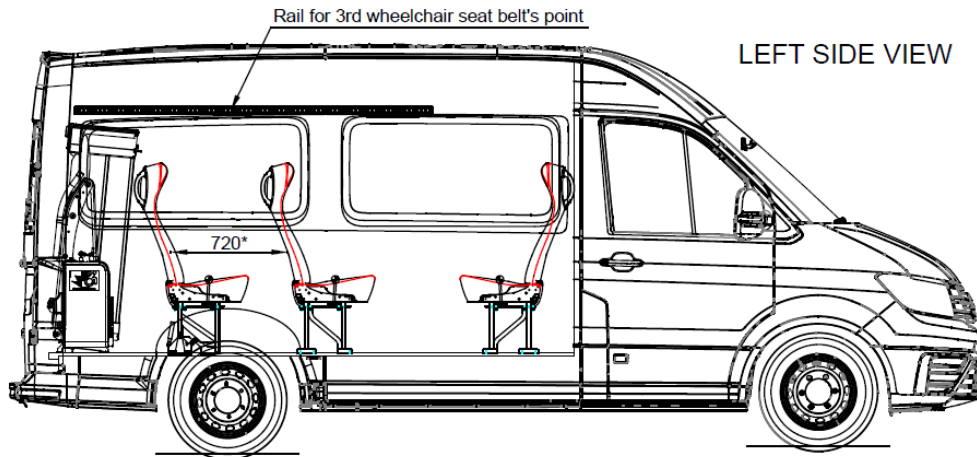


\* view in the pictures can be different from the real vehicle



\* view in the pictures can be different from the real vehicle

\* view in the pictures can be different from the real vehicle



\* view in the pictures can be different from the real vehicle