

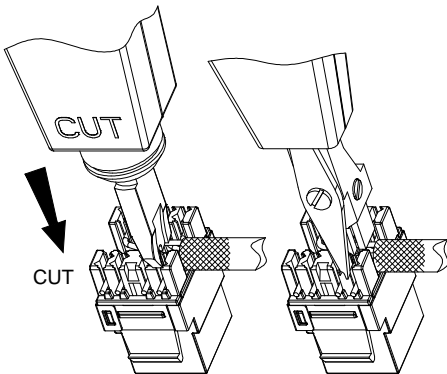
**Fully-Shielded Jack**

**STEP 1:**

Strip 1 inch of jacket off of the end of the cable and fold the braid back over the jacket. Then wrap the drain wire a minimum of 3 times around the braid if a drain wire exists.

**STEP 2:**

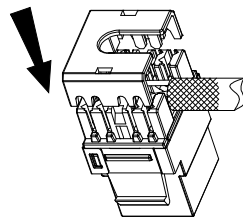
Thread cable through shielded cover first as shown.



**STEP 3:**

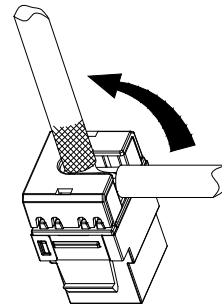
Insert wires into IDC's according to the desired wiring configuration (T568B/T568A). Terminate wires using punch down tool. Make sure the tool is set to trim excess wire as shown.

\* Do not untwist more than 1/2" (12.7 mm) of wire!



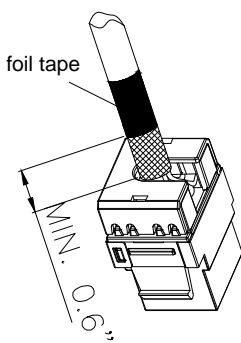
**STEP 4:**

Place termination cap on jack and press cap to make sure it is fully seated.



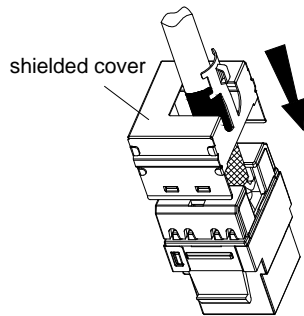
**STEP 5:**

Adjust cable to a position parallel to the axis of the jack so that the shield cover can snap onto the jack properly.



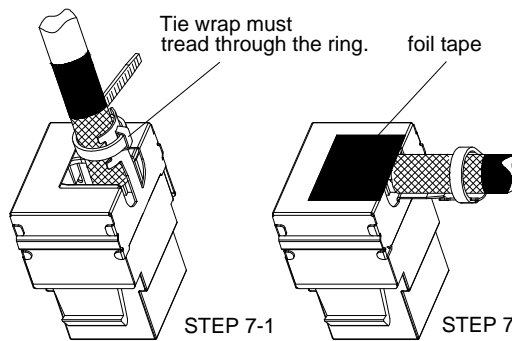
**STEP 6:**

Wrap a strip of foil tape around the wire braid as shown. The bottom of the tape should be at least 0.6 inches above the termination cap.



**STEP 7:**

Slide the shield cover down onto the jack until it snaps onto the jack shield.



**STEP 8:**

7-1 Thread the tie wrap through the ring on the shielded fin as show and tie it firmly. Do not crush the cable! Trim off excess.  
7-2 Bend the cable perpendicular to the jack and secure the foil tape over the opening in the cover as shown.