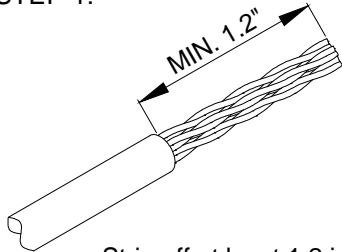


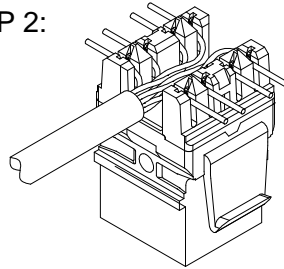
## INSTRUCTION SHEET

STEP 1:



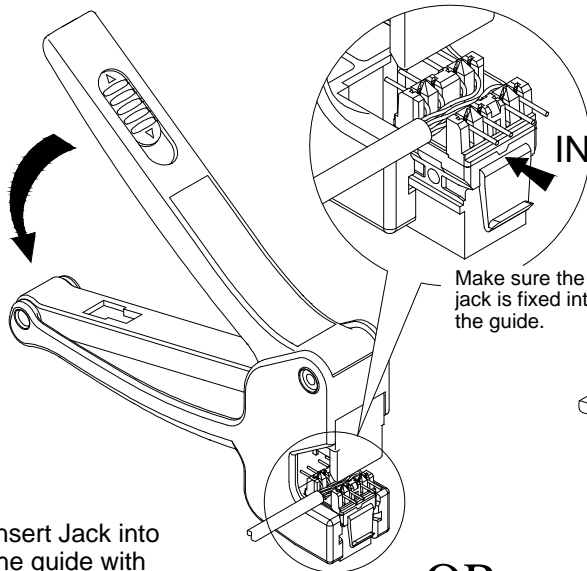
Strip off at least 1.2 inch of jacket from end of cable.

STEP 2:



Press the wires through the projecting portion of terminals until fixed.

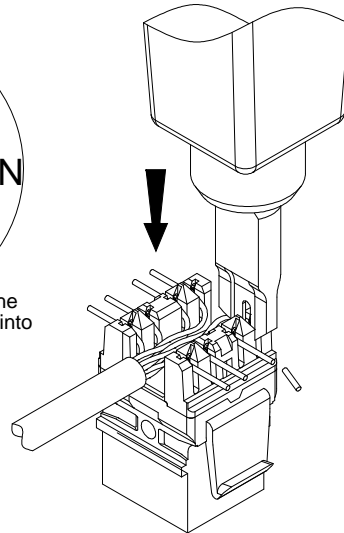
STEP 3:



Insert Jack into the guide with either directions.

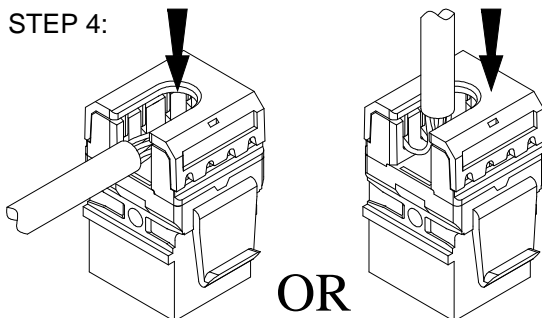
Make sure the jack is fixed into the guide.

OR



Terminate wires with punch down tool. Make sure the tool cuts off the excess wires.

STEP 4:



OR

Place cap on Jack and press to make sure it is fully seated. The cap opening allows the cable enters the jack from side or rear.