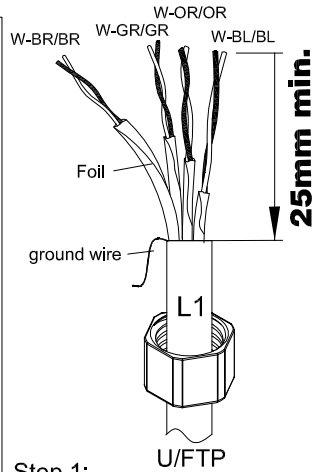
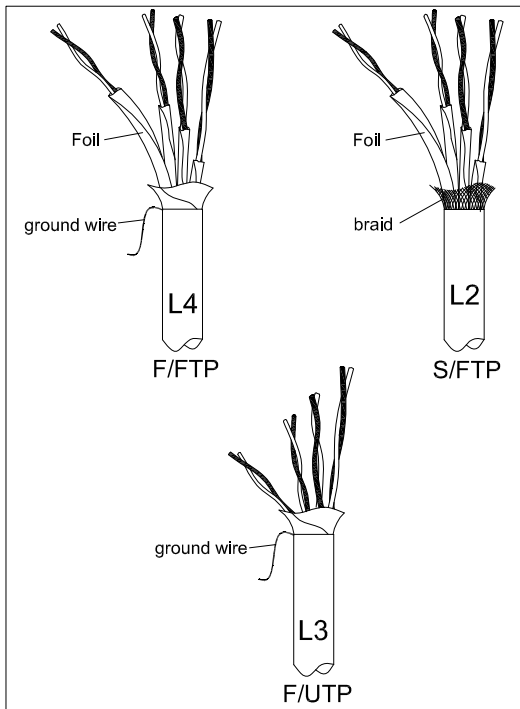
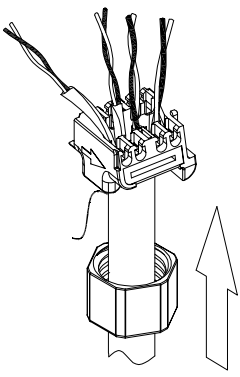


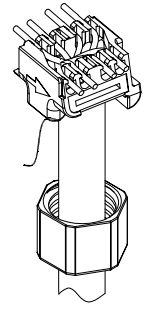
# Instruction Sheet



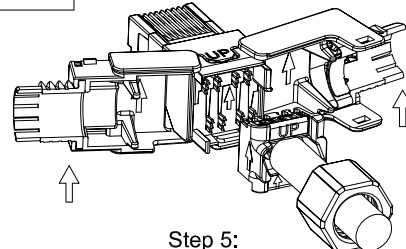
Step 1:  
Strip the cable for minimum 25 mm, pull the foil or braided shield back over the jacket.  
NOTES:  
Put cable through the Nut.  
(OD:6~8mm;23~26AWG)



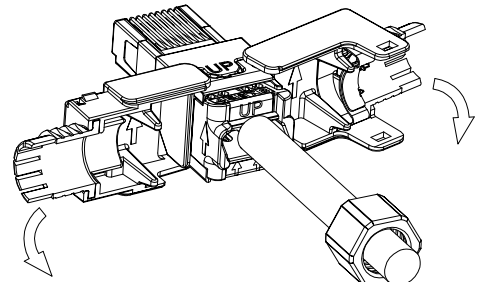
Step 2:  
Insert the wires into the cap through the holes.



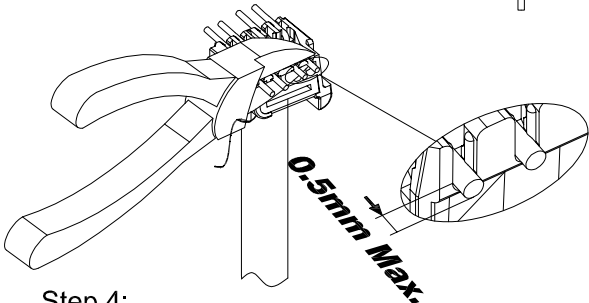
Step 3:  
Lay the wires to their correct positions based on the color code. (T568A/T568B)



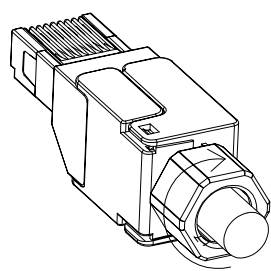
Step 5:  
Put the cap on the IDC tower. The arrows on the jack and the cap should face the same direction. Put the cap into position.



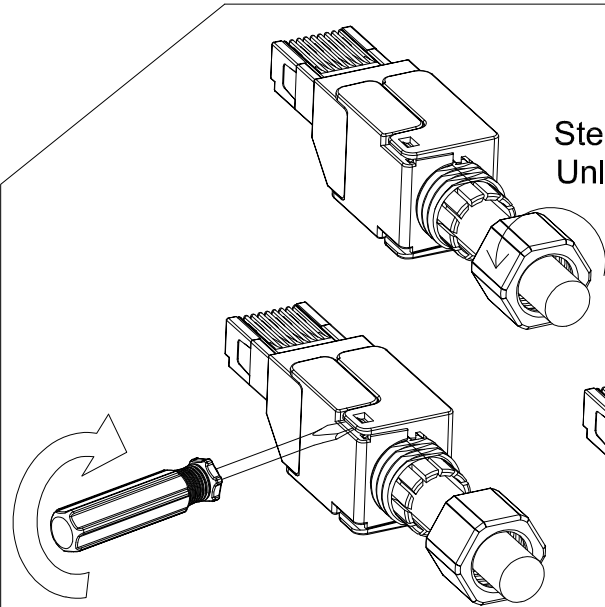
Step 6:  
Close the jaws until hearing the click.



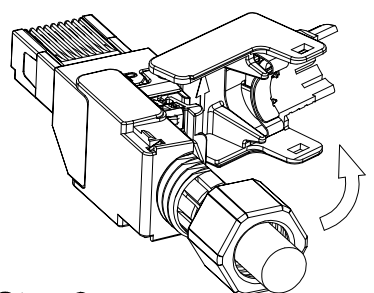
Step 4:  
Cut the excess wires off. The tips of the wires should protrude no more than 0.5mm.



Step 7:  
lock the nut.



Step 2:  
Insert the slotted screwdriver into the slot and rotate to open the jaws.



Step 3:  
Insert the slotted screwdriver into the slot and rotate to open the wiring Management.