

EUROLAN High Density Fiber patchcords

2xLC-LC 50/125 Multimode

Ordering information

OM3

Part number	E-number	Description
47G-30-LC-LC-01		Eurolan HD Patchcord 2xLC-LC 50/125 OM3 1m
47G-30-LC-LC-02		Eurolan HD Patchcord 2xLC-LC 50/125 OM3 2m
47G-30-LC-LC-03		Eurolan HD Patchcord 2xLC-LC 50/125 OM3 3m
47G-30-LC-LC-05		Eurolan HD Patchcord 2xLC-LC 50/125 OM3 5m
47G-30-LC-LC-07		Eurolan HD Patchcord 2xLC-LC 50/125 OM3 7m
47G-30-LC-LC-10		Eurolan HD Patchcord 2xLC-LC 50/125 OM3 10m

Ordering information

OM4

Part number	E-number	Description
47G-40-LC-LC-01		Eurolan HD Patchcord 2xLC-LC 50/125 OM4 1m
47G-40-LC-LC-02		Eurolan HD Patchcord 2xLC-LC 50/125 OM4 2m
47G-40-LC-LC-03		Eurolan HD Patchcord 2xLC-LC 50/125 OM4 3m
47G-40-LC-LC-05		Eurolan HD Patchcord 2xLC-LC 50/125 OM4 5m
47G-40-LC-LC-07		Eurolan HD Patchcord 2xLC-LC 50/125 OM4 7m
47G-40-LC-LC-10		Eurolan HD Patchcord 2xLC-LC 50/125 OM4 10m



Connector specifications

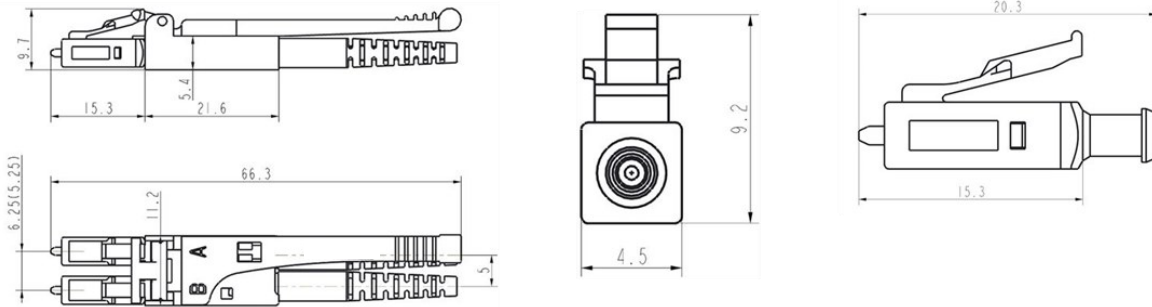
Ferrule (zirconia) diameter	D: 1,25 mm; d: 125,3-126,3 µm
Concentricity	≤ 4,0 µm
Tuning	In 30° steps
Operating temperature	-40 °C to +80 °C
Storage temperature	-40 °C to +85 °C
Flammability	UL 94 V-0
Humidity	95%
Tensile load	70N
RoHS	Compliant

- ✓ Push-Pull mechanism: easy patching even in highest-density packaging
- ✓ Polarity flipping without any tools
- ✓ Tunable connectors guaranteeing high optical performance
- ✓ Can be assembled with cables of 1.4 mm to 2.4 mm diameters
- ✓ Horizontal sliding connectors: compatible to standard and mini LC adaptors or transceivers
- ✓ Equipped with an extended, rigid lever
- ✓ Sophisticated design for an easy termination
- ✓ Complies with IEC 61753 and IEC 61755 standards.

EUROLAN High Density Fiber patchcords

2xLC-LC 50/125 Multimode

Connector Dimensions



Multimode Assembly Specifications

Multimode Assembly Specifications	
Performance Class	Grade M
IL max. against reference (db)	0,35
IL typical against reference (db)	0,20
RL (db)	≥ 27
Fiber height (nm)	-50 to +100
Apex Offset (μm)	≤ 50
Radius (mm)	5 to 25
Tensile strenght (N)	> 100
Operating temperature (°C)	-25 to +70
Flammability	UL 94 V-0
Humidity	95%