

EUROLAN High Density Fiber patchcords

2xLC-LC 9/125 Singlemode OS2

Ordering information

UPC

Part number	E-number	Description
47G-S1-LC-LC-01U		Eurolan HD Patchcord 2xLC-LC 9/125 1m UPC
47G-S1-LC-LC-02U		Eurolan HD Patchcord 2xLC-LC 9/125 2m UPC
47G-S1-LC-LC-03U		Eurolan HD Patchcord 2xLC-LC 9/125 3m UPC
47G-S1-LC-LC-05U		Eurolan HD Patchcord 2xLC-LC 9/125 5m UPC
47G-S1-LC-LC-07U		Eurolan HD Patchcord 2xLC-LC 9/125 7m UPC
47G-S1-LC-LC-10U		Eurolan HD Patchcord 2xLC-LC 9/125 10m UPC

Ordering information

APC

Part number	E-number	Description
47G-S1-LC-LC-01A		Eurolan HD Patchcord 2xLC-LC 9/125 1m APC
47G-S1-LC-LC-02A		Eurolan HD Patchcord 2xLC-LC 9/125 2m APC
47G-S1-LC-LC-03A		Eurolan HD Patchcord 2xLC-LC 9/125 3m APC
47G-S1-LC-LC-05A		Eurolan HD Patchcord 2xLC-LC 9/125 5m APC
47G-S1-LC-LC-07A		Eurolan HD Patchcord 2xLC-LC 9/125 7m APC
47G-S1-LC-LC-10A		Eurolan HD Patchcord 2xLC-LC 9/125 10m APC



Connector specifications

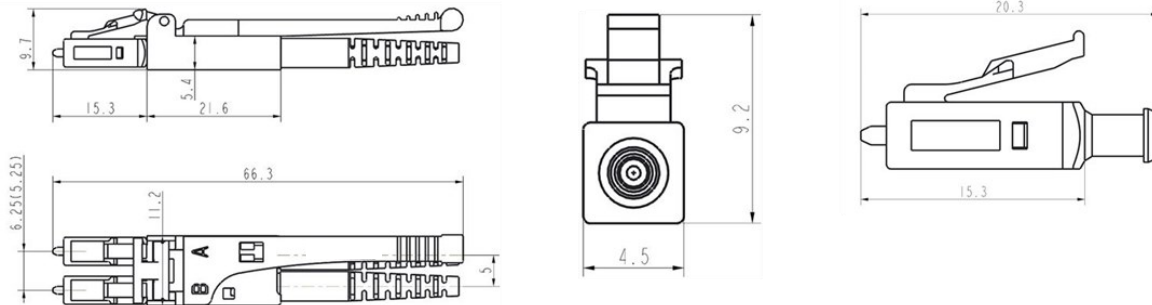
Ferrule (zirconia) diameter	D: 1,25 mm; d: 125,3-126,3 µm
Concentricity	≤ 1,0 µm
Tuning	In 30° steps
Operating temperature	-40 °C to +80 °C
Storage temperature	-40 °C to +85 °C
Flammability	UL 94 V-0
Humidity	95%
Tensile load	70N
RoHS	Compliant

- ✓ Push-Pull mechanism: easy patching even in highest-density packaging
- ✓ Polarity flipping without any tools
- ✓ Tunable connectors guaranteeing high optical performance
- ✓ Can be assembled with cables of 1.4 mm to 2.4 mm diameters
- ✓ Horizontal sliding connectors: compatible to standard and mini LC adaptors or transceivers
- ✓ Equipped with an extended, rigid lever
- ✓ Sophisticated design for an easy termination
- ✓ Complies with IEC 61753 and IEC 61755 standards.

EUROLAN High Density Fiber patchcords

2xLC-LC 9/125 Singlemode OS2

Connector Dimensions



Singlemode Assembly Specifications

Performance Class		Grade C
IL max. against reference (db)		0,35
IL typical against reference (db)		0,12
RL (db)	PC	≥ 45
	UPC	≥ 55
	APC	≥ 85
Fiber height (nm)	PC	-50 to +100
	APC	-100 to +100
Apex Offset (µm)		≤ 50
Radius (mm)	PC	5 to 25
	APC	5 to 12
Angle (°) of APC		8 ± 0,4
Tensile strenght (N)		> 100
Operating temperature (°C)		-25 to +70
Flammability		UL 94 V-0
Humidity		95%