

TURNLINE
Turning tool for roughing operations

TURNTEC

NEW

PREMIUMTEC
TUNGALOY

Latest cutting edge technology provides maximum productivity



Features

● Optimal solution for high productivity rough machining !

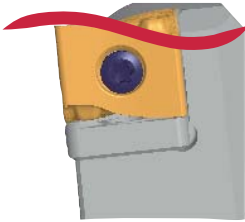
Strong insert for large depth of cut and scaled surface machining

Long curved cutting edge



Smooth chip evacuation
Low cutting force

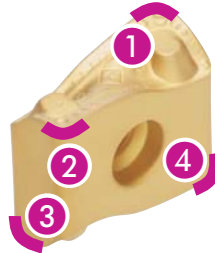
Large inclination on the cutting edge



Highly economical
Excellent chipping resistance

4 corners available

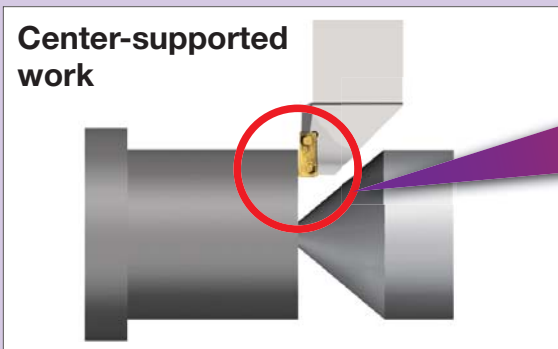
Thick insert that is tangentially clamped



■ Suitable for center-supported work

High accessibility to center-supported work compared with conventional toolholders

Center-supported work



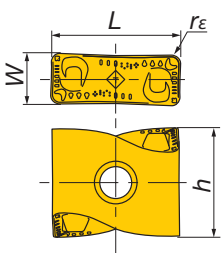
TURNTEC Conventional toolholder

a

b

$a < b$

Inserts



Cat. No.	Grades						Dimensions (mm)			
	Coated						W	L	h	r _e
	T9115		T9125		AH725					
	R	L	R	L	R	L				
LNMX160608R/L-TDR	●	●	●	●			6.4	16.2	13.5	0.8
LNMX160612R/L-TDR	●	●	●	●			6.4	16.2	13.5	1.2
LNMX160616R/L-TDR	●	●	●	●			6.4	16.2	13.5	1.6
LNMX160608R/L-MDR	★	★			★	★	6.4	16.2	13.5	0.8
LNMX160612R/L-MDR	★	★			★	★	6.4	16.2	13.5	1.2
LNMX160608R/L-TWR	★	★	★	★			6.4	16.2	13.5	0.8
LNMX160612R/L-TWR	★	★	★	★			6.4	16.2	13.5	1.2

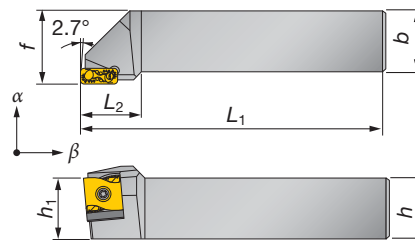
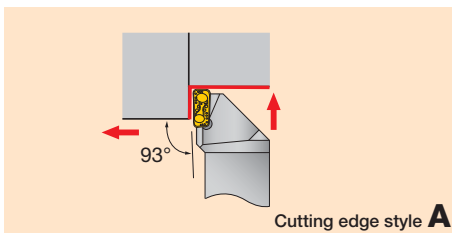
Right hand (R) shown.

External toolholders

TLAN R/L

External Turning & Facing

T-type (Negative rake, Screw-on system)



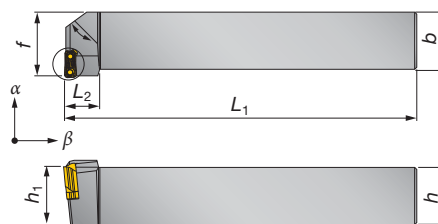
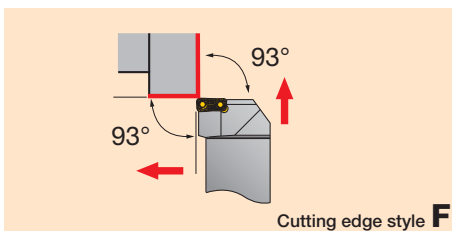
Right hand (R) shown.

Cat. No.	Stock		Dimensions (mm)								Inserts
	R	L	h	b	L ₁	L ₂	h ₁	f	α	β	
TLANR/L2020K16	●	●	20	20	125	25	20	25	-6°	-6°	LNMX1606□□R/L
TLANR/L2525M16	●	●	25	25	150	25	25	30	-6°	-6°	
TLANR/L3232P16	●	●	32	32	170	35	32	37	-6°	-6°	
TLANR/L4040R16	●	●	40	40	200	35	40	47	-6°	-6°	

TLFN R/L

Facing & External Turning

T-type (Negative rake, Screw-on system)



Right hand (R) shown.

Cat. No.	Stock		Dimensions (mm)								Inserts
	R	L	h	b	L ₁	L ₂	h ₁	f	α	β	
TLFNR/L2525M16	●	●	25	25	150	20	25	30	-6°	-6°	LNMX1606□□R/L
TLFNR/L3232P16	●	●	32	32	170	20	32	37	-6°	-6°	

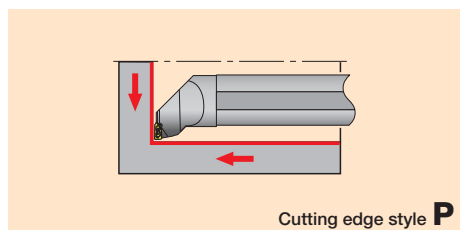
*The right hand insert (R) is used for the left hand toolholders (TLFNL □□ type), and the left hand insert (L) is used for the right hand toolholders (TLFNR □□ type).

● : Stocked items
★ : Available in 2011

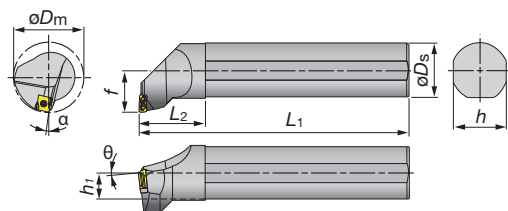
Internal toolholders

S-TLAN R/L Internal Turning & Facing

T-type (Negative rake, Screw-on system)



Cutting edge style **P**



Right hand (R) shown.

Cat. No.	Stock		Min bore dia. ϕD_m	Dimensions (mm)						α	θ	Inserts
	R	L		ϕD_s	f	L_1	L_2	h	h_1			
S50U-TLANR/L16-D850	●	●	85	50	37	350	63	46	23	-6°	-10°	LNMX1606□□L/R

*The right hand insert (R) is used for the left hand toolholders (S-TLANR □□ type), and the left hand insert (L) is used for the right hand toolholders (S-TLANL □□ type).

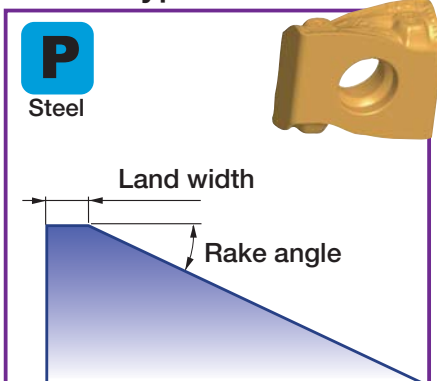
● : Stocked items

Replacement parts

Cat. No.	Insert	Shim	Shim screw	Spring pin	Wrench for shim screw	Clamp screw	Wrench for clamp screw
TLANR/L2020K16	LNMX1606R/L	TSL16R/L	-	PSP-16	-	CSTB-4L115-S	KEYV-T15
TLANR/L2525M16							
TLANR/L3232P16							
TLANR/L4040R16							
TLFNR/L2525M16	LNMX1606L/R	TSL16L/R	-	PSP-16	-	CSTB-4L115-S	KEYV-T15
TLFNR/L3232P16							
S50U-TLANR/L16-D850	LNMX1606L/R	TSL16L/R	-	PSP-16	-	CSTB-4L115-S	KEYV-T15

Chipbreakers

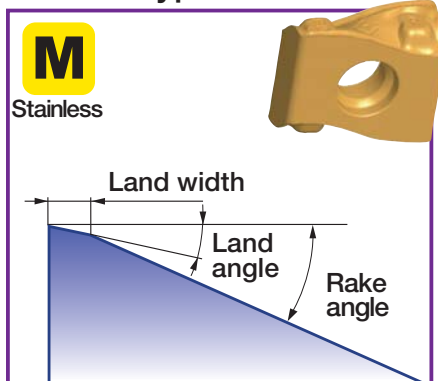
TDR type



For steel turning

- Excellent balance of low cutting force and edge strength

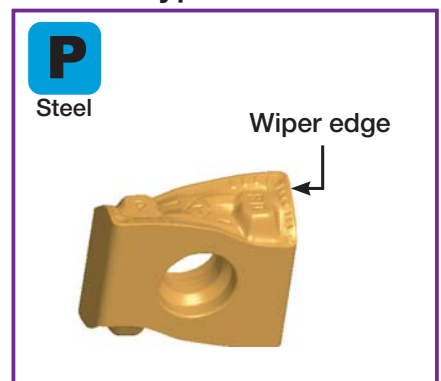
MDR type



For stainless steel turning

- Strong for stainless steel machining with sharp cutting edge

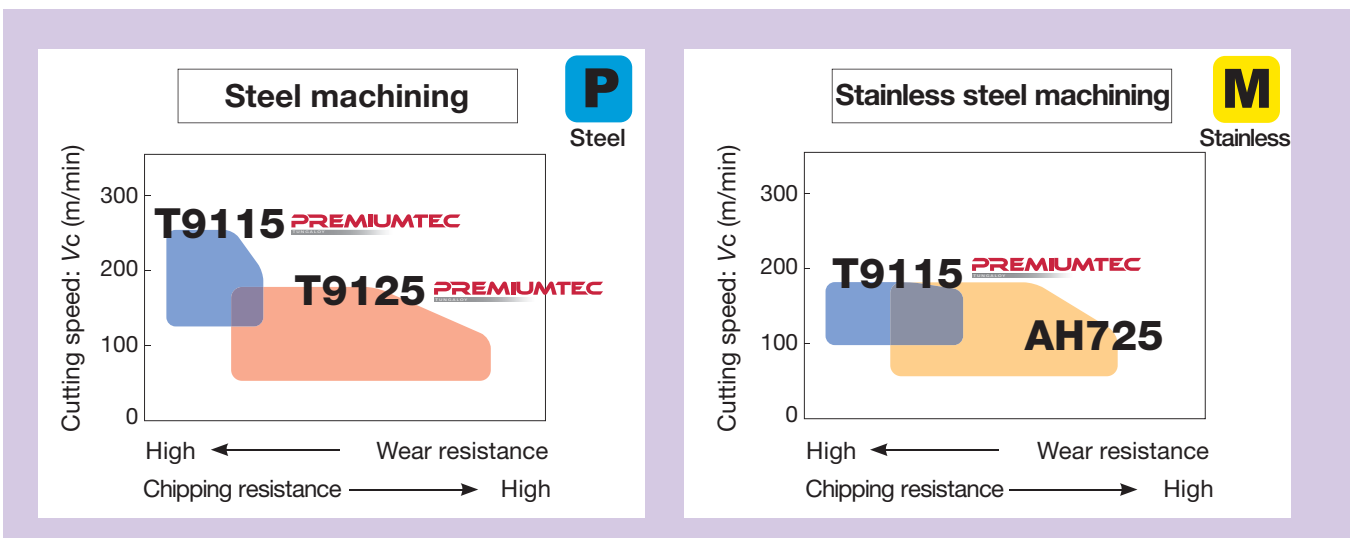
TWR type



With wiper edge

- Improves surface finish

Application range



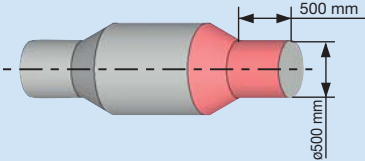
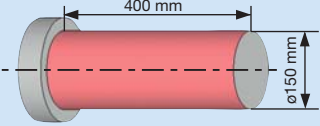
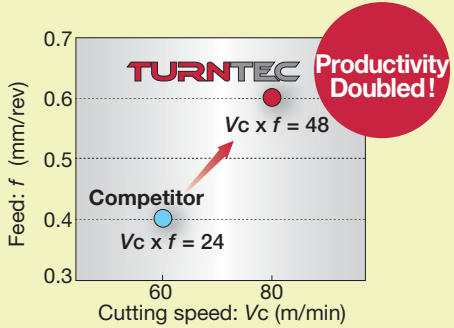
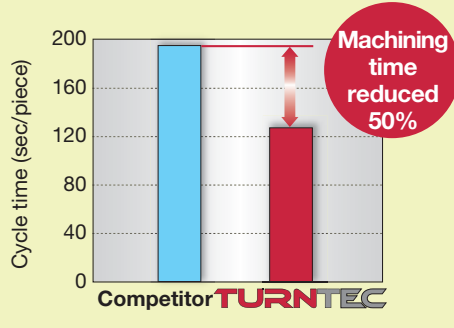
Standard cutting conditions

LNMX1606□□□-□□□+TLANR/L

Work materials	Chip-breakers	Grade	Cutting speed V_c (m/min)	Depth of cut: a_p (mm)			Feed: f (mm/rev)		
				R0.8	R1.2	R1.6	R0.8	R1.2	R1.6
Steels S45C, SCM415 etc. (C45, 18CrMo4 etc.)	TDR	T9115	180 (120 - 250)	3 (0.5-5)	3.5 (0.8-6)	4.5 (1-8)	0.4 (0.15-0.6)	0.5 (0.25-0.8)	0.6 (0.3-1)
		T9125	120 (80 - 180)	2 (0.5-3.2)	2 (0.8-3.2)	2 (1-3.2)			
	MDR	T9115	180 (120 - 250)	4 (1.5-6)	4 (1.5-7)	-	0.3 (0.1-0.5)	0.4 (0.15-0.7)	-
		AH725	120 (50 - 180)	2 (0.5-3.2)	2 (0.8-3.2)				
	TWR	T9115	180 (120 - 250)	3 (0.5-5)	3.5 (0.8-6)	-	0.4 (0.15-0.6)	0.5 (0.25-0.8)	-
		T9125	120 (80 - 180)	2 (0.5-3.2)	2 (0.8-3.2)				
Stainless steels SUS304, SUS316 etc. (X5CrNi18-9, X5CrNiMo17-12-2 etc.)	TDR	T9115	150 (100 - 180)	3 (0.5-5)	3.5 (0.8-6)	4.5 (1-8)	0.4 (0.15-0.6)	0.5 (0.25-0.8)	0.6 (0.3-1)
		T9125	120 (80 - 180)	2 (0.5-3.2)	2 (0.8-3.2)	2 (1-3.2)			
	MDR	T9115	120 (100 - 150)	4 (1.5-6)	4 (1.5-7)	-	0.3 (0.1-0.5)	0.4 (0.15-0.7)	-
		AH725	120 (50 - 150)	2 (0.5-3.2)	2 (0.8-3.2)				
	TWR	T9115	150 (100 - 180)	3 (0.5-5)	3.2 (0.8-6)	-	0.4 (0.15-0.6)	0.5 (0.25-0.8)	-
		T9125	120 (80 - 180)	2 (0.5-3.2)	2 (0.8-3.2)				

* Values in grey shows the condition for facing

Practical examples

Workpiece type		Shaft	Shaft
Toolholder		TLANR3232P16	TLANR3232P16
Insert		LNMX160612R-TDR	LNMX160616R-TDR
Grade		T9125	T9125
Work material		Alloy steel	S45C / C45 (200HB)
			
Cutting conditions	Cutting speed : V_c (m/min)	80	150
	Feed : f (mm/rev)	0.6	0.6
	Depth of cut : a_p (mm)	5	8
	Machining	External roughing operation	External roughing operation
	Coolant	Dry	Dry
Results			
		<p>The TDR insert with a deep inclination provides stable machining without chattering, even when feed is increased by 1.5 times.</p>	<p>Even with a large DoC, the TDR insert enables higher feed machining compared to conventional ISO inserts with pressed chipbreakers.</p>



Tungaloy Corporation

Tungaloy Corporation (Head office)

11-1 Yoshima-Kogyodanchi
Iwaki-city, Fukushima, 970-1144 Japan
Phone: +81-246-36-8501 Fax: +81-246-36-8542
<http://www.tungaloy.co.jp/>

Tungaloy America, Inc.

Phone: +1-888-554-8394 Fax: +1-888-554-8392
<http://www.tungaloyamerica.com/>

Tungaloy Canada

Phone: +1-519-758-5779 Fax: +1-519-758-5791
<http://www.tungaloyamerica.com/>

Tungaloy de Mexico S.A.

Phone: +52-449-929-5410 Fax: +52-449-929-5411
<http://www.tungaloyamerica.com/>

Tungaloy do Brasil Comércio de Ferramentas de Corte Ltda.

Phone: +55-19-38262757 Fax: +55-19-38262757
<http://www.tungaloy.co.jp/br/>

Tungaloy Germany GmbH

Phone: +49-2173-90420-0 Fax: +49-2173-90420-19
<http://www.tungaloy.de>

Tungaloy France S.A.S.

Phone: +33-1-6486-4300 Fax: +33-1-6907-7817
<http://www.tungaloy-eu.com/>

Tungaloy Italia S.r.l.

Phone: +39-02-252012-1 Fax: +39-02-252012-65
<http://www.tungaloy-eu.com/>

Tungaloy Czech s.r.o.

Phone: +420 532 123 391 Fax: +420 532 123 392
<http://www.tungaloy.co.jp/cz/>

Tungaloy Ibérica S.L.

Phone: +34 93 1131360 Fax: +34 93 1131361
<http://www.tungaloy.co.jp/es/>

Tungaloy Rus, LLC

Phone: +7 4722 58 57 57 Fax: +7 4722 58 57 83
<http://www.tungaloy.co.jp/ru/>

Tungaloy Polska Sp. z o.o.

Phone: +48-22-617-0890 Fax: +48-22-617-0890
<http://www.tungaloy.co.jp/pl/>

Tungaloy UK Ltd

Phone: +44 121 244 3064 Fax: +44 121 270 9694
<http://www.tungaloy.co.jp/uk>

Tungaloy Cutting Tool (Shanghai) Co.,Ltd.

Phone: +86-21-3632-1880 Fax: +86-21-3621-1918
<http://www.tungaloy.co.jp/tcts/>

Tungaloy Cutting Tool (Thailand) Co.,Ltd.

Phone: +66-2-714-3130 Fax: +66-2-714-3134
<http://www.tungaloy.co.th/>

Tungaloy Singapore (Pte.),Ltd.

Phone: +65-6391-1833 Fax: +65-6299-4557
<http://www.tungaloy.co.jp/tcsp/>

Tungaloy India Pvt. Ltd.

Phone: +91-22-6124-8804 Fax: +91-22-6124-8899
<http://www.tungaloy.co.jp/in/>

Tungaloy Korea Co., Ltd

Phone: +82-2-6393-8930 Fax: +82-2-6393-8952
<http://www.tungaloy.co.jp/kr/>

Tungaloy Malaysia Sdn Bhd

Phone: +603-7805-3222 Fax: +603-7804-8563
<http://www.tungaloy.co.jp/my/>

Tungaloy Australia Pty Ltd

Phone: +612-9672-6844 Fax: +612-9672-6866
<http://www.tungaloy.co.jp/au>



ISO 9001 certified
QC00J0056
Tungaloy Corporation
18/10/1996

ISO 14001 certified
EC97J1123
Tungaloy Group
Japan site and Asian
production site
26/11/1997

Distributed by:



I S O T O O L A I
Estridsväg 17
SE-291 65 Kristianstad
Tel: 044-245570 / Fax: 044-245540
info@isotool.se / www.isotool.se

Produced from Recycled paper

Jun. 2011 (TJ)