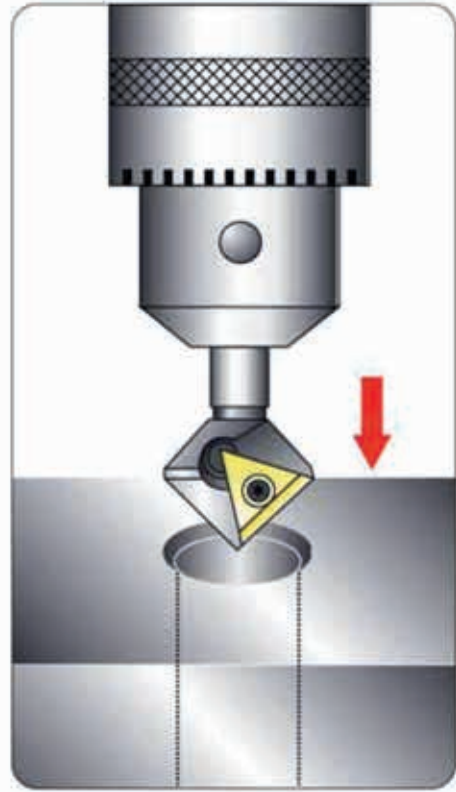
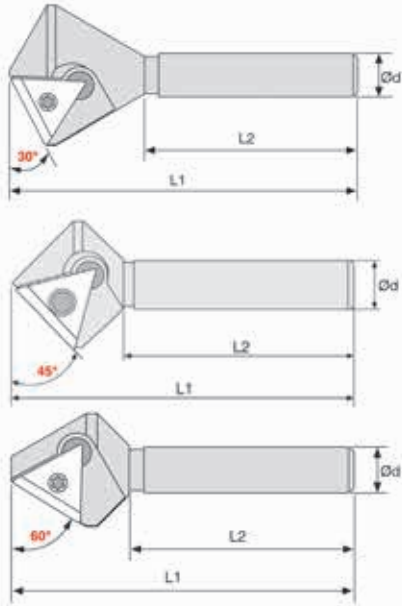
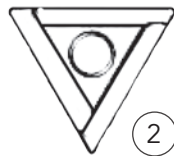
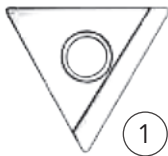


MENTRUBE



CODICE ORDINE Bestell-Nr. Order No.	DIMENSIONI Abmessungen Dimensions (mm.)									STOCK
	Angolo Winwel angle	MIN DIAM.	MAX DIAM.	L1	L2	Ø d				
BM3029T	30°	6	29	74	45	10	TM32 GUR... TM32 GSR...	M -1	MA - 1	0,110 ●
BM4524T	45°	5	24	67	45	10		L-6	K-3	0,070 ●
BM4538T	45°	19	38	75	50	12				0,230 ●
BM4552T	45°	33	52	80	55	13				0,410 ●
BM4566T	45°	47	66	80	55	13				0,660 ●
BM6021T	60°	7	21	69	45	10		M -1	MA - 1	0,070 ●



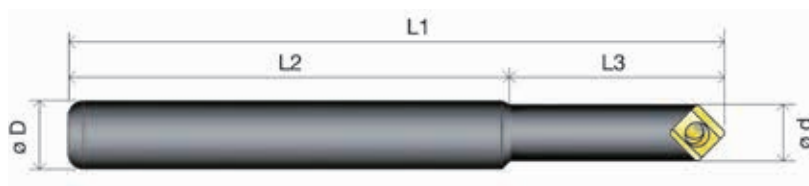
CODICE ORDINE Bestell-Nr. Order No.	FIG.	NR. TAGLIENTI SCHNITTKANTEN NO. OF CORNERS
TM32 GUR HSS...	1	2
TM32 GSR HSS...	2	6

VELOCITÀ CONSIGLIATE SCHNITTDATEN RECOMMENDED SPEED			
CODICE ORDINE Bestell-Nr. Order No.	MIN DIAM.	MAX DIAM.	RPM
BM3029T	6	29	500-350
BM4524T	5	24	500-350
BM4538T	19	38	350-200
BM4552T	33	52	200-150
BM4566T	47	68	150-100
BM6021T	7	21	500-350

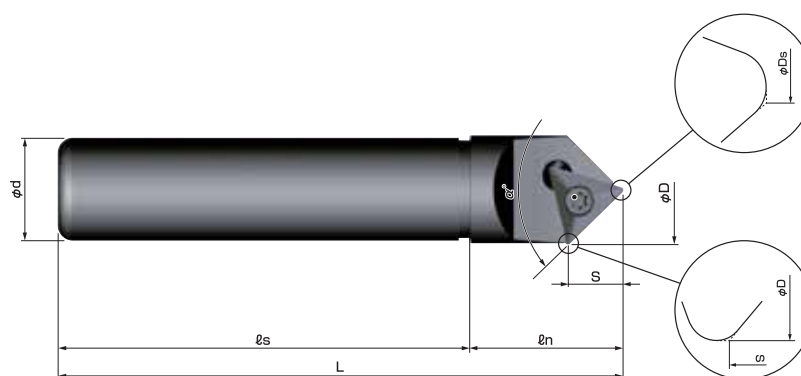
● Disponibile - Lieferbar - On stock

○ A richiesta - Auf Anfrage - On request

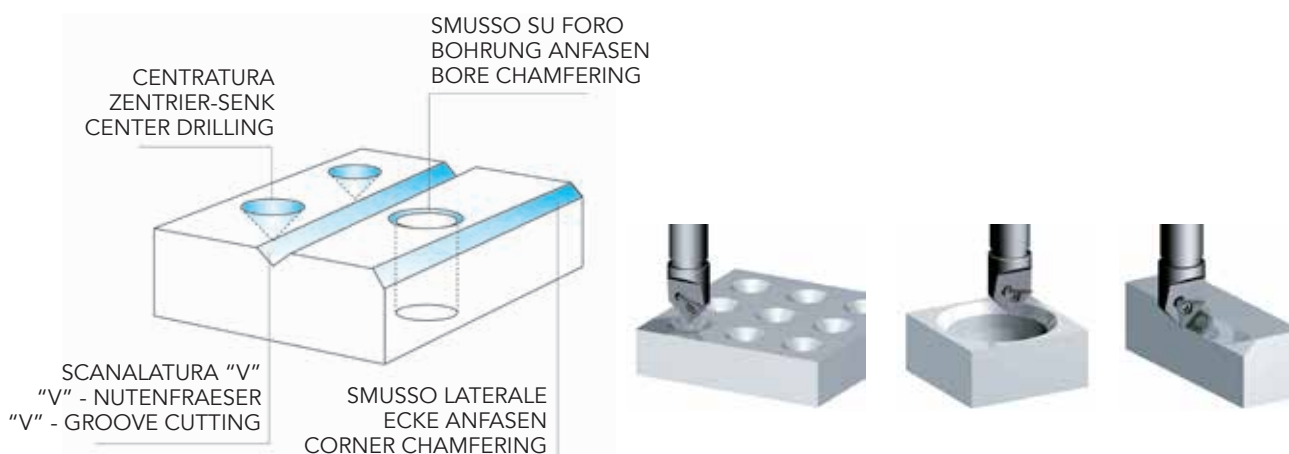
MOMIMEN



CODICE ORDINE Bestell-Nr. Order No.	Angolo Winwel angle	DIMENSIONI Abmessungen Dimensions (mm.)							Icona	Icona	Icona	Icona	STOCK
		L1	L2	L3	ø D	ø d	MIN DIAM.	MAX DIAM.					
SCM1045C	90°	105	72	33	10	8	0,6	8	C22 GUX...	L-13	N-5	0,070	●
SCM1045CL	90°	165	132	33	10	8	0,6	8	C22 GUX...			0,120	●
SC1245C	90°	110	82	28	12	13	0,6	13	C32 GUX...	L-6	K-3	0,110	●
SC1645C	90°	110	82	28	16	13	0,6	13	C32 GUX...			0,180	●
SC1630C	118°	110	82	28	16	16	0,6	16	C32 GUX ...			0,130	●
SC1660DS	60°	150	95	55	16	12	0,6	12	DCET 11X304...	L-15	N-6	0,170	●



CODICE ORDINE Bestell-Nr. Order No.	DIMENSIONI Abmessungen Dimensions (mm.)							Icona	Icona	Icona	Icona	STOCK	
	ø D	ø Ds	ø d	L	Ls	Ln	S						α°
EMS1045T	10,3	0,88	10	95	80	15	4,7	90°	TXMT 080206...	L-18	N-4	0,100	○
EMM1245T	14,2	0,88	12	100	80	20	6,7	90°	TXMT 110306...	L-13	N-5	0,120	○
EML2045T	22	0,88	20	110	80	30	10,5	90°	TXMT 16T306...	L-15	N-7	0,200	○

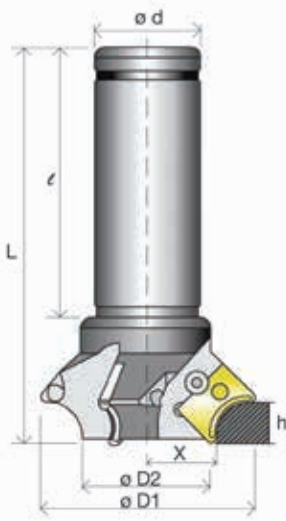


● Disponibile - Lieferbar - On stock

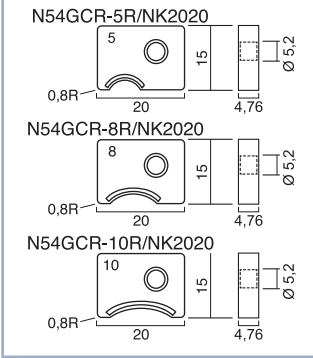
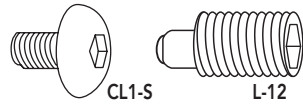
○ A richiesta - Auf Anfrage - On request

Frese ad inserti per raggi convessi | *Radien Anfräser mit Wendepplatten*
Indexable round chamfering milling-cutters

R-NUBOR



RICAMBI - ERSATZTEILE - SPARE PARTS



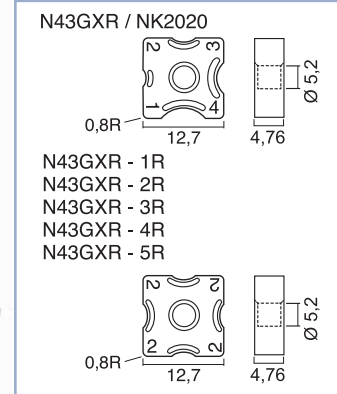
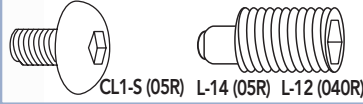
CODICE ORDINE Bestell-Nr. Order No.	DIMENSIONI Abmessungen Dimensions (mm.)					kg	STOCK
	Z	ØD1	ØD2	Ød	L /		
NK32-70R	3	70	42	32	130 90	1,000	●
NK32-70RL200	3	70	42	32	200 150	1,000	●
NK25-10R	1	35	8,9	25	120 80	0,600	●

		R	X	h
	N54GCR-5R NK2020	5	22,78	6,79
	N54GCR-8R NK2020	8	22,8	9,63
	N54GCR-10R NK2020	10	22,7	11,76
	N54GCR-6R NK2020	6	22,8	6,8
	N54GCR-7R NK2020	7	22,8	9,7
	N54GCR-9R NK2020	9	22,7	11,5

PARAMETRI DI LAVORO - CUTTING DATAS		
MATERIAL	RPM	FEED
STEEL	1200 ~ 2000	200 ~ 400 mm/1'
CAST IRON	900 ~ 1200	150 ~ 300 mm/1'
ALU	1500 ~ 3000	300 ~ 500 mm/1'



RICAMBI - ERSATZTEILE - SPARE PARTS



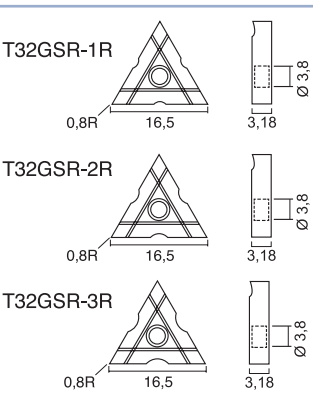
CODICE ORDINE Bestell-Nr. Order No.	DIMENSIONI Abmessungen Dimensions (mm.)					kg	STOCK
	Z	ØD1	ØD2	Ød	L /		
NK25-05R	1	26	-	25	130 90	0,420	●
NK20-40R-3	3	56	39,3	20	115 85	0,480	●
NK25-40R-3	3	56	39,3	25	115 85	0,800	●
NK32-40R-3	3	56	39,3	32	115 85	1,000	●

		R	X	h
	N43GXR-1R NK2020	1	23,27	4,66
	N43GXR-2R NK2020	2	22,77	5,07
	N43GXR-3R NK2020	3	22,27	5,58
	N43GXR-4R NK2020	4	21,81	6,08
	N43GXR-5R NK2020	5	21,2	6,5
	N43GXR NK2020	1-2-3-4	21,81	6,08

PARAMETRI DI LAVORO - CUTTING DATAS		
MATERIAL	RPM	FEED
STEEL	1500 ~ 2500	300 ~ 500 mm/1'
CAST IRON	1100 ~ 1500	150 ~ 300 mm/1'
ALU	1700 ~ 3500	300 ~ 500 mm/1'



RICAMBI - ERSATZTEILE - SPARE PARTS



CODICE ORDINE Bestell-Nr. Order No.	DIMENSIONI Abmessungen Dimensions (mm.)					kg	STOCK
	Z	ØD1	ØD2	Ød	L /		
CR25-05T	1	25	-	25	150 100	0,530	●

		R	X	h
	T32GSR-1R NK2020	1	6,52	6,02
	T32GSR-2R NK2020	2	6,05	6,53
	T32GSR-3R NK2020	3	5,61	7,01





PARAMETRI DI LAVORO - CUTTING DATAS		
MATERIAL	RPM	FEED
STEEL	2500 ~ 400	200 ~ 400 mm/1'
CAST IRON	1800 ~ 3000	150 ~ 300 mm/1'
ALU	3000 ~ 5000	300 ~ 600 mm/1'

● Disponibile - Lieferbar - On stock

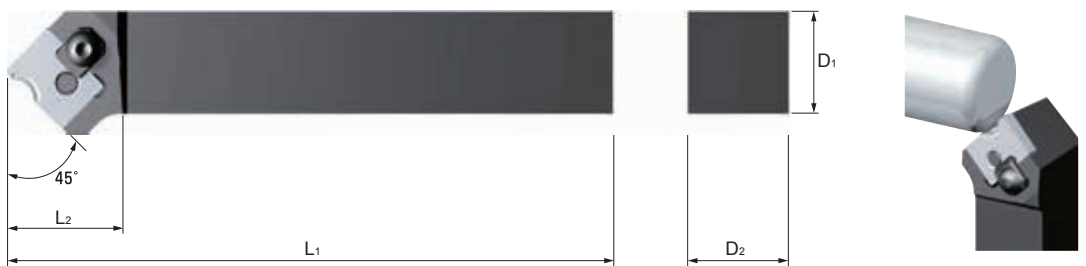
○ A richiesta - Auf Anfrage - On request

NEW R-BIT 20XR



CODICE ORDINE Bestell-Nr. Order No.	DIMENSIONI Abmessungen Dimensions (mm.)									STOCK
	D ₁	D ₂	L ₁	z						
R-BIT 20XR	19	20	126	1	N43GXR	L-12	K-4		○	

NEW 10R-BIT 25CR

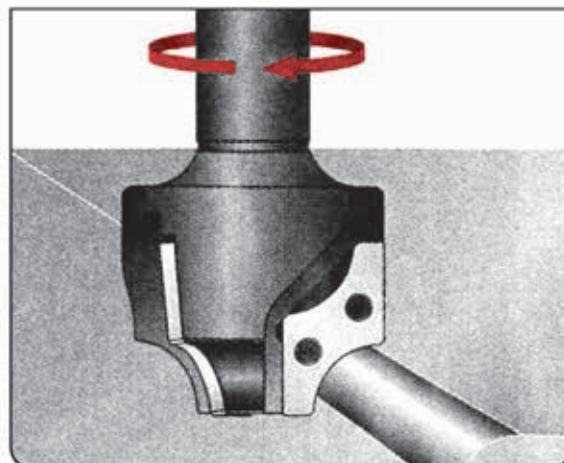
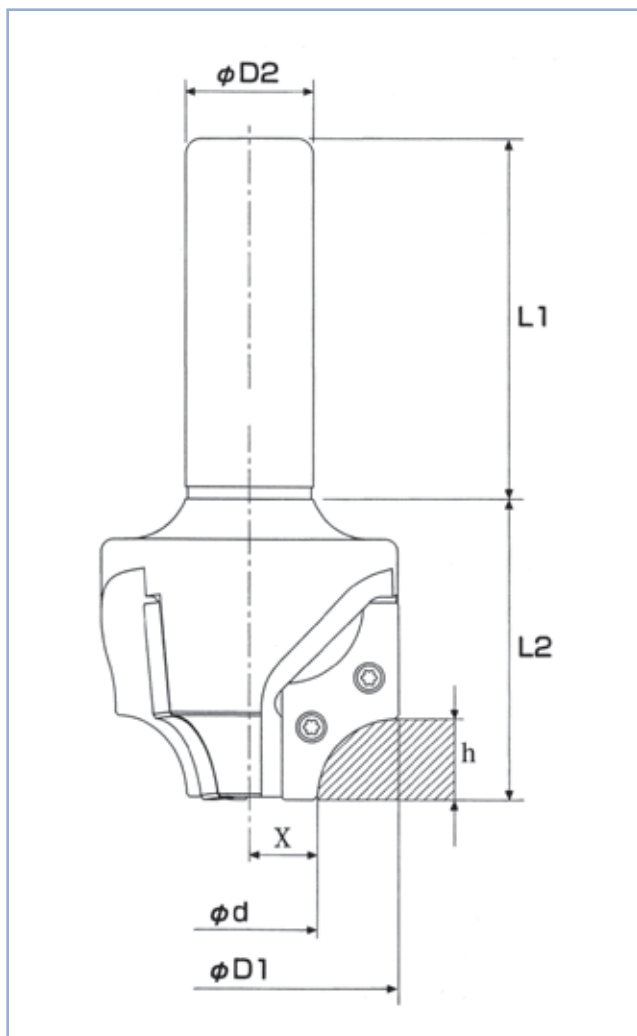


CODICE ORDINE Bestell-Nr. Order No.	DIMENSIONI Abmessungen Dimensions (mm.)										STOCK
	D ₁	D ₂	L ₁	L ₂	z						
10R-BIT 25CR	25	25	150	30	1	N54GCR	CL-15	L-12	K-3 K-4		○

● Disponibile - Lieferbar - On stock

○ A richiesta - Auf Anfrage - On request

R-GIGA



VELOCITÀ CONSIGLIATE SCHNITTDATEN RECOMMENDED SPEED

MATERIAL	RPM	FEED
STEEL	1200 ~ 2000	200 ~ 400 mm/1'
CAST IRON	900 ~ 1200	150 ~ 300 mm/1'
ALU	1500 ~ 3000	300 ~ 500 mm/1'

DIMENSIONI DI TAGLIO - CUTTING DIMENSIONS

R	X	h
R11	17.5	11.77
R12	17.5	12.7
R13	17.5	13.63
R14	17.5	14.56
R15	17.5	15.48
R16	17.5	16.41
R17	17.5	17.34
R18	17.5	18.27
R19	17.5	19.2
R20	17.5	20.12

CODICE ORDINE Bestell-Nr. Order No.	DIMENSIONI Abmessungen Dimensions (mm.)			kg	STOCK		
	L1	L2	Ø D1				
NK32-75 RS R11-R15	90	75	75,5	32	35	1,000	o
NK32-75 RL R16-R20	90	75	75,5	32	35	1,000	o

CODICE ORDINE | Bestell-Nr. | Order No.



XNEW 3004-11R NK2020

XNEW 3004-16R NK2020

XNEW 3004-12R NK2020

XNEW 3004-17R NK2020

XNEW 3004-13R NK2020

XNEW 3004-18R NK2020

L-16

BT-20

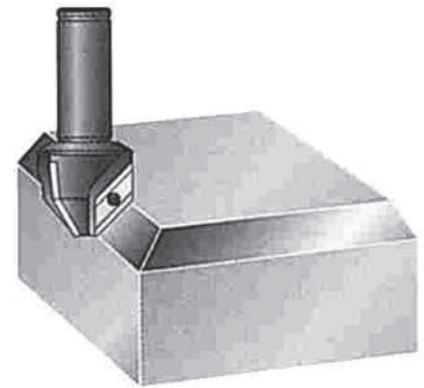
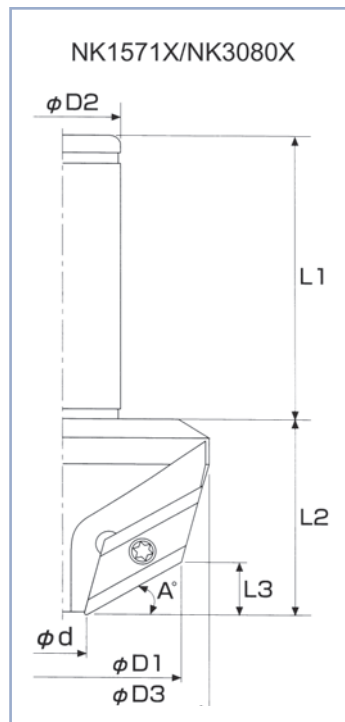
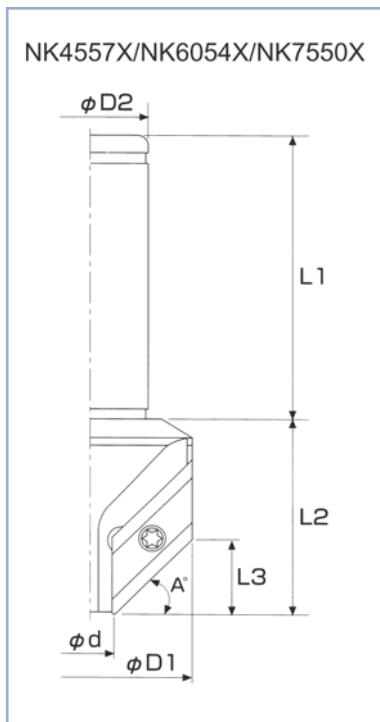
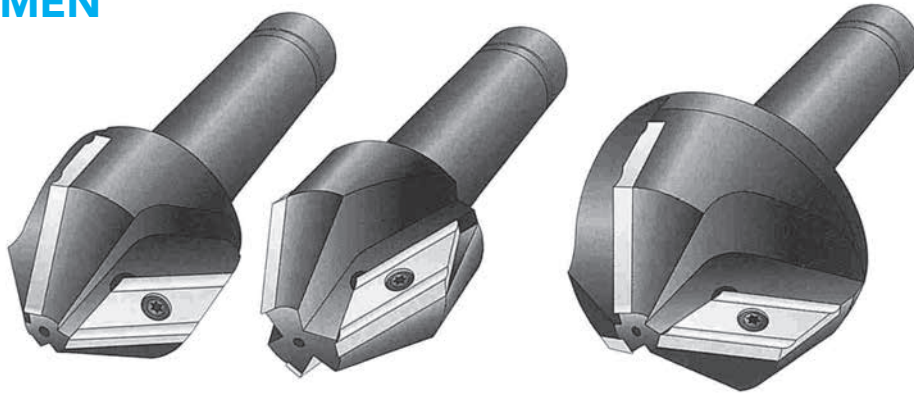
XNEW 3004-14R NK2020

XNEW 3004-19R NK2020

XNEW 3004-15R NK2020

XNEW 3004-20R NK2020

GENTLEMEN



VELOCITÀ CONSIGLIATE
SCHNITTDATEN
RECOMMENDED SPEED

900 r.p.m.

160 m/min

CODICE ORDINE Bestell-Nr. Order No.	A°	DIMENSIONI Abmessungen Dimensions (mm.)							kg	STOCK
		L1	L2	L3	Ø D1	Ø D2	Ø D3	Ø d		
NK1571X	15°	80	55	7.6	71.8	32	92.6	15	0,110	●
NK3080X	30°	80	55	14.8	66.3	32	80	15	0,170	●
NK4557X	45°	80	55	21.1	57.3	32	-	15	0,420	●
NK6054X	60°	80	55	26.3	54.3	32	-	24	0,600	●
NK7550X	75°	80	65	29.3	50.8	32	-	35	1,000	●

CODICE ORDINE | Bestell-Nr. | Order No.



X63 GUR ...



L-16



BT-20