

Green Hill International 2019

Stockholm
10-11/8**M21-81**

Tatami: 1, Competitors: 4

Competitors

#	Name	Club	1	2	3	4	Wins	Pts	Pos
1	Filip ADAMSKY	CZE/Judo ceska trebova		0	10	10	2	20	2
2	Vit SKRKON	CZE/Judo ceska trebova	10		10	10	3	30	1
3	Valter WOVALIN	FIN/Ålands JK	0	0		0	0	0	4
4	Gabriel rahja thomas leopold KRIPPENDORF	NOR/Norsk judo	0	0	10		1	10	3

Matches

Match	White			Blue	Result	Time
1	Filip ADAMSKY	1	2	Vit SKRKON	0 - 10	0:22
2	Valter WOVALIN	3	4	Gabriel rahja thomas leopold KRIPPENDORF	10 - 0	1:15
3	Filip ADAMSKY	1	3	Valter WOVALIN	10 - 0	3:31
4	Vit SKRKON	2	4	Gabriel rahja thomas leopold KRIPPENDORF	10 - 0	0:32
5	Filip ADAMSKY	1	4	Gabriel rahja thomas leopold KRIPPENDORF	10 - 0	1:19
6	Vit SKRKON	2	3	Valter WOVALIN	10 - 0	0:20

Results

Pos	Name
1	Vit SKRKON CZE/Judo ceska trebova
2	Filip ADAMSKY CZE/Judo ceska trebova
3	Gabriel rahja thomas leopold KRIPPENDORF NOR/Norsk judo
4	Valter WOVALIN FIN/Ålands JK

Competitors

#	Name	Club	1	2	3	4	5	Wins	Pts	Pos
1	Simon LARSSON	SWE/Södertälje JK		0	0	10	0	1	10	4
2	Linus HÖGLUND	FIN/Ålands JK	10		0	10	0	2	20	3
3	Reuel O'NEAL-MARSHALL	GBR/Budokw ai	10	10		10	0	3	30	2
4	Björn HAGLAND	SWE/Falu JK	0	0	0		0	0	0	5
5	Pelle MATTSSON	SWE/Stockholms JK	10	10	10	10		4	40	1

Matches

Match	White	Blue	Result	Time
1	Björn HAGLAND 4 5	Pelle MATTSSON	0 - 10	0:07
2	Simon LARSSON 1 2	Linus HÖGLUND	0 - 10	1:50
3	Reuel O'NEAL-MARSHALL 3 4	Björn HAGLAND	10 - 0	0:24
4	Simon LARSSON 1 5	Pelle MATTSSON	0 - 10	1:04
5	Linus HÖGLUND 2 3	Reuel O'NEAL-MARSHALL	0 - 10	0:45
6	Simon LARSSON 1 4	Björn HAGLAND	10 - 0	0:18
7	Reuel O'NEAL-MARSHALL 3 5	Pelle MATTSSON	0 - 10	5:49
8	Linus HÖGLUND 2 4	Björn HAGLAND	10 - 0	0:22
9	Simon LARSSON 1 3	Reuel O'NEAL-MARSHALL	0 - 10	0:28
10	Linus HÖGLUND 2 5	Pelle MATTSSON	0 - 10	

Results

Pos	Name
1	Pelle MATTSSON SWE/Stockholms JK
2	Reuel O'NEAL-MARSHALL GBR/Budokw ai
3	Linus HÖGLUND FIN/Ålands JK
4	Simon LARSSON SWE/Södertälje JK
5	Björn HAGLAND SWE/Falu JK

Competitors A

A	#	Name	Club	1	2	3	4	Wins	Pts	Pos
	1	Miljohn MAXLIN	Stockholms JK		10	10	10	3	30	1
	2	Mansur salambekovitsj ABUBAKAROV	Norsk judo	0		10	0	1	10	3
	3	Jamal ibrahim YAHIA	Norsk judo	0	0		0	0	0	4
	4	Isac RIPSÄTER	Växjö JK	0	10	10		2	20	2

Competitors B

B	#	Name	Club	5	6	7	Wins	Pts	Pos
	5	Egilsten PIUS AMARASEKARA	Norsk judo		0	1	1	1	2
	6	Heydar PASHAEV	Stockholms JK	10		10	2	20	1
	7	Leon suratin WANGEN	Norsk judo	0	0		0	0	3

Matches

Match	White	Blue	Result	Time
1	Miljohn MAXLIN	1 2 Mansur salambekovitsj ABUBAKAROV	10 - 0	0:29
2	Jamal ibrahim YAHIA	3 4 Isac RIPSÄTER	0 - 10	1:13
3	Egilsten PIUS AMARASEKARA	5 6 Heydar PASHAEV	0 - 10	3:47
4	Miljohn MAXLIN	1 3 Jamal ibrahim YAHIA	10 - 0	2:38
5	Mansur salambekovitsj ABUBAKAROV	2 4 Isac RIPSÄTER	0 - 10	1:59
6	Egilsten PIUS AMARASEKARA	5 7 Leon suratin WANGEN	1 - 0	4:00
7	Miljohn MAXLIN	1 4 Isac RIPSÄTER	10 - 0	2:22
8	Mansur salambekovitsj ABUBAKAROV	2 3 Jamal ibrahim YAHIA	10 - 0	0:56
9	Heydar PASHAEV	6 7 Leon suratin WANGEN	10 - 0	2:30

FINALS	MAXLIN Miljohn SWE/Stockholms JK	10	MAXLIN 10 - 00s1 [1:24]
	PIUS AMARASEKARA Egilsten NOR/Norsk judo		
	PASHAEV Heydar SWE/Stockholms JK	11	RIPSÄTER 00s2 - 01s2 [4:00]
	RIPSÄTER Isac SWE/Växjö JK		

12	RIPSÄTER Isac 00 - 10 [1:23]	1.
----	------------------------------------	-----------

Results

Pos	Name
1	Isac RIPSÄTER SWE/Växjö JK
2	Miljohn MAXLIN SWE/Stockholms JK
3	Egilsten PIUS AMARASEKARA NOR/Norsk judo
3	Heydar PASHAEV SWE/Stockholms JK

Competitors A

A	#	Name	Club	1	2	3	Wins	Pts	Pos
	1	Tor BLOMDAHL	SPIF		10	10	2	20	1
	2	Valter WOIVALIN	Ålands JK	0		10	1	10	2
	3	Maxim CHROMY	Judo ceska trebova	0	0		0	0	3

Competitors B

B	#	Name	Club	4	5	6	Wins	Pts	Pos
	4	Gabriel rahja thomas leopold KRIPPENDORF	Norsk judo		0	10	1	10	2
	5	Markus BENGTTSSON	Norrköpings JK	10		10	2	20	1
	6	Arvid PAGSTEDT	Frövi Judo	0	0		0	0	3

Matches

Match	White		Blue		Result	Time
1	Tor BLOMDAHL	1	2	Valter WOIVALIN	10 - 0	3:33
2	Gabriel rahja thomas leopold KRIPPENDORF	4	5	Markus BENGTTSSON	0 - 10	0:07
3	Tor BLOMDAHL	1	3	Maxim CHROMY	10 - 0	1:00
4	Gabriel rahja thomas leopold KRIPPENDORF	4	6	Arvid PAGSTEDT	10 - 0	0:12
5	Valter WOIVALIN	2	3	Maxim CHROMY	10 - 0	1:13
6	Markus BENGTTSSON	5	6	Arvid PAGSTEDT	10 - 0	

FINALS	BLOMDAHL Tor SWE/SPIF	7	BLOMDAHL 10 - 01s1 [2:05]
	KRIPPENDORF Gabriel rahja thomas leopold NOR/Norsk judo		
	BENGTTSSON Markus SWE/Norrköpings JK	8	BENGTTSSON 10 - 00 [0:44]
	WOIVALIN Valter FIN/Ålands JK		

9	BENGTTSSON Markus 00 - 10 [1:21]	1.
---	--	-----------

Results

Pos	Name
1	Markus BENGTTSSON SWE/Norrköpings JK
2	Tor BLOMDAHL SWE/SPIF
3	Gabriel rahja thomas leopold KRIPPENDORF NOR/Norsk judo
3	Valter WOIVALIN FIN/Ålands JK

Competitors

#	Name	Club	1	2	3	4	Wins	Pts	Pos
1	Simon LARSSON	SWE/Södertälje JK		0	10	0	1	10	3
2	Albin MÄNTYLÄ	SWE/Uppsala JK	10		10	0	2	20	2
3	Matej REZNICEK	CZE/Judo ceska trebova	0	0		0	0	0	4
4	Pelle MATTSSON	SWE/Stockholms JK	10	10	10		3	30	1

Matches

Match	White			Blue	Result	Time
1	Simon LARSSON	1	2	Albin MÄNTYLÄ	0 - 10	3:11
2	Matej REZNICEK	3	4	Pelle MATTSSON	0 - 10	0:23
3	Simon LARSSON	1	3	Matej REZNICEK	10 - 0	2:19
4	Albin MÄNTYLÄ	2	4	Pelle MATTSSON	0 - 10	1:22
5	Simon LARSSON	1	4	Pelle MATTSSON	0 - 10	1:18
6	Albin MÄNTYLÄ	2	3	Matej REZNICEK	10 - 0	0:29

Results

Pos	Name
1	Pelle MATTSSON SWE/Stockholms JK
2	Albin MÄNTYLÄ SWE/Uppsala JK
3	Simon LARSSON SWE/Södertälje JK
4	Matej REZNICEK CZE/Judo ceska trebova

Competitors A

A	#	Name	Club	1	2	3	4	5	Wins	Pts	Pos	
	1	Ravin KASRA	Norsk judo		0	0	0	0	0	0	0	5
	2	Tomas RYBKA	Judo ceska trebova	10		10	10	10	4	40	1	
	3	Isac MILTON	Täby judo	10	0		0	10	2	20	3	
	4	Wilhelm STEINBECK	Södertälje JK	10	0	10		10	3	30	2	
	5	Benjamin HELLBLOM	Uppsala JK	10	0	0	0		1	10	4	

Competitors B

B	#	Name	Club	6	7	8	9	10	Wins	Pts	Pos
	6	Elmo REBIC	Mariestads JK		10	1	0	10	3	21	2
	7	Björn HAGLAND	Falu JK	0		10	0	10	2	20	3
	8	Jamal ibrahim YAHIA	Norsk judo	0	0		0	10	1	10	4
	9	Benjamin LEVY	Budokw ai	10	10	10		10	4	40	1
	10	Erik PIRNTKE	Täby judo	0	0	0	0		0	0	5

Matches

Match	White	Blue	Result	Time
1	Wilhelm STEINBECK	4 5 Benjamin HELLBLOM	10 - 0	0:24
2	Benjamin LEVY	9 10 Erik PIRNTKE	10 - 0	0:11
3	Ravin KASRA	1 2 Tomas RYBKA	0 - 10	0:50
4	Elmo REBIC	6 7 Björn HAGLAND	10 - 0	2:25
5	Isac MILTON	3 4 Wilhelm STEINBECK	0 - 10	1:50
6	Jamal ibrahim YAHIA	8 9 Benjamin LEVY	0 - 10	0:48
7	Ravin KASRA	1 5 Benjamin HELLBLOM	0 - 10	
8	Elmo REBIC	6 10 Erik PIRNTKE	10 - 0	2:04
9	Tomas RYBKA	2 3 Isac MILTON	10 - 0	0:56
10	Björn HAGLAND	7 8 Jamal ibrahim YAHIA	10 - 0	2:46
11	Ravin KASRA	1 4 Wilhelm STEINBECK	0 - 10	
12	Elmo REBIC	6 9 Benjamin LEVY	0 - 10	0:24
13	Isac MILTON	3 5 Benjamin HELLBLOM	10 - 0	0:09
14	Jamal ibrahim YAHIA	8 10 Erik PIRNTKE	10 - 0	1:18
15	Tomas RYBKA	2 4 Wilhelm STEINBECK	10 - 0	1:56
16	Björn HAGLAND	7 9 Benjamin LEVY	0 - 10	0:21
17	Ravin KASRA	1 3 Isac MILTON	0 - 10	
18	Elmo REBIC	6 8 Jamal ibrahim YAHIA	1 - 0	4:00
19	Tomas RYBKA	2 5 Benjamin HELLBLOM	10 - 0	0:38
20	Björn HAGLAND	7 10 Erik PIRNTKE	10 - 0	0:17

FINALS	Rybka Tomas CZE/Judo ceska trebova	21	REBIC 00 - 10 [3:42]
	Rebic Elmo SWE/Mariestads JK		
	Levy Benjamin GBR/Budokwai	22	LEVY 10 - 00 [0:35]
	Steinbeck Wilhelm SWE/Södertälje JK		

23	Levy Benjamin 00 - 10 [2:03]	1.
----	---------------------------------	-----------

Results

Pos	Name
1	Benjamin LEVY GBR/Budokw ai
2	Elmo REBIC SWE/Mariestads JK
3	Tomas RYBKA CZE/Judo ceska trebova
3	Wilhelm STEINBECK SWE/Södertälje JK

Competitors A

A	#	Name	Club	1	2	3	4	5	Wins	Pts	Pos	
	1	Miljohn MAXLIN	Stockholms JK		10	10	10	10		4	40	1
	2	Teodor KEJUSER	Järfälla JK	0		0	0	0		0	0	5
	3	William SJÖBLOM	Uppsala JK	0	10		0	10		2	20	3
	4	Mansur salambekovitsj ABUBAKAROV	Norsk judo	0	10	10		10		3	30	2
	5	Corey O'NEAL-NARCIS	Budokwai	0	10	0	0			1	10	4

Competitors B

B	#	Name	Club	6	7	8	9	Wins	Pts	Pos	
	6	Heydar PASHAEV	Stockholms JK		0	10	10		2	20	2
	7	Isac RIPSÅTER	Växjö JK	1		10	10		3	21	1
	8	Leon suratin WANGEN	Norsk judo	0	0		0		0	0	4
	9	Benjamin GONZALEZ	Oxelösunds JK	0	0	1			1	1	3

Matches

Match	White		Blue		Result	Time
1	Mansur salambekovitsj ABUBAKAROV	4	5	Corey O'NEAL-NARCIS	10 - 0	1:52
2	Miljohn MAXLIN	1	2	Teodor KEJUSER	10 - 0	0:09
3	Heydar PASHAEV	6	7	Isac RIPSÅTER	0 - 1	4:05
4	William SJÖBLOM	3	4	Mansur salambekovitsj ABUBAKAROV	0 - 10	0:19
5	Miljohn MAXLIN	1	5	Corey O'NEAL-NARCIS	10 - 0	0:19
6	Leon suratin WANGEN	8	9	Benjamin GONZALEZ	0 - 1	3:00
7	Teodor KEJUSER	2	3	William SJÖBLOM	0 - 10	0:10
8	Heydar PASHAEV	6	8	Leon suratin WANGEN	00 - 10	0:57
9	Miljohn MAXLIN	1	4	Mansur salambekovitsj ABUBAKAROV	10 - 0	1:27
10	William SJÖBLOM	3	5	Corey O'NEAL-NARCIS	10 - 0	0:10
11	Isac RIPSÅTER	7	9	Benjamin GONZALEZ	10 - 0	0:52
12	Teodor KEJUSER	2	4	Mansur salambekovitsj ABUBAKAROV		
13	Miljohn MAXLIN	1	3	William SJÖBLOM	10 - 0	0:43
14	Heydar PASHAEV	6	9	Benjamin GONZALEZ	10 - 0	7:07
15	Teodor KEJUSER	2	5	Corey O'NEAL-NARCIS	0 - 10	
16	Isac RIPSÅTER	7	8	Leon suratin WANGEN	10 - 0	0:54

FINALS	MAXLIN Miljohn SWE/Stockholms JK	17	MAXLIN 11 - 00 [1:47]
	PASHAEV Heydar SWE/Stockholms JK		
FINALS	RIPSÅTER Isac SWE/Växjö JK	18	RIPSÅTER 10 - 00 [1:30]
	ABUBAKAROV Mansur salambekovitsj NOR/Norsk judo		

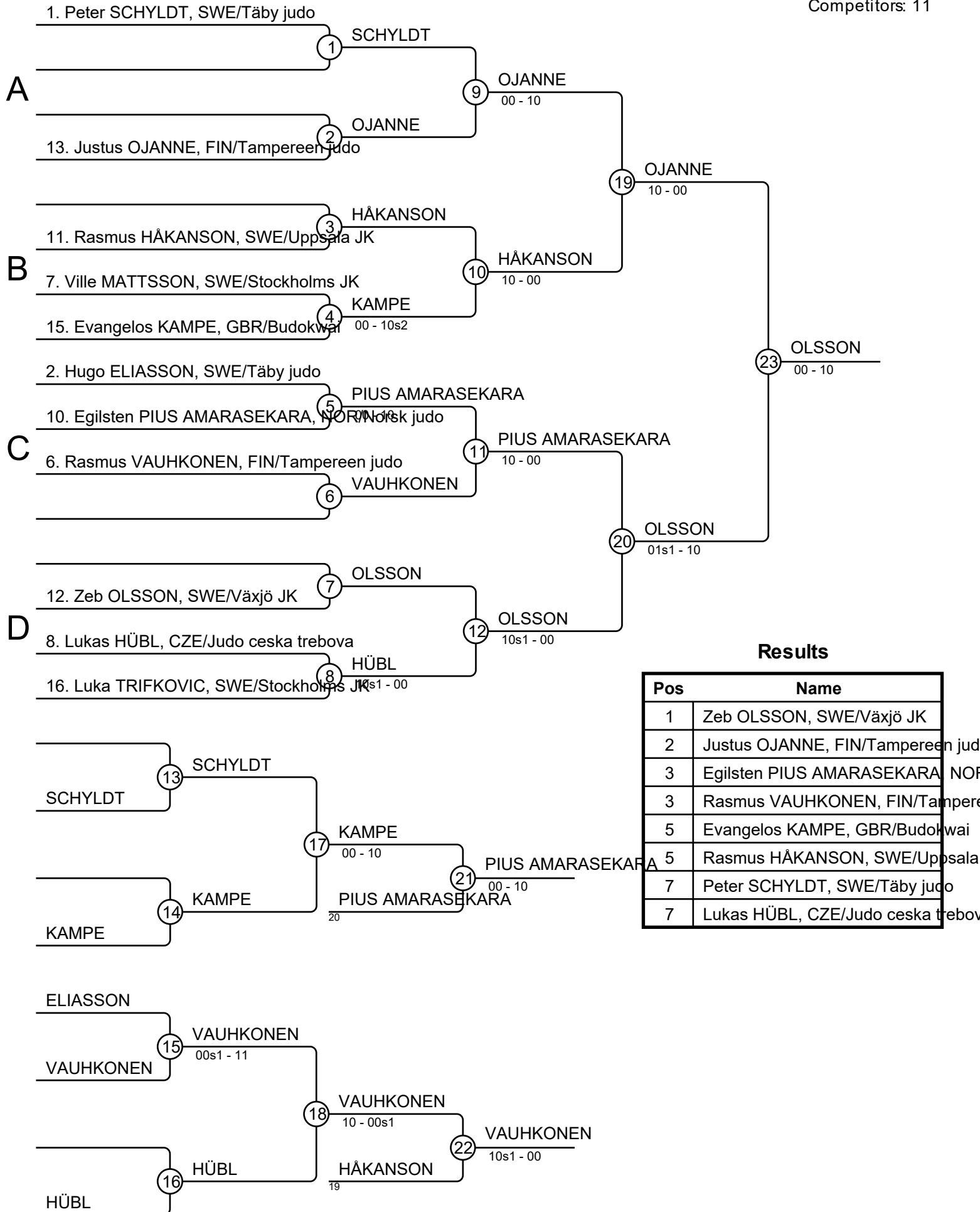
FINALS	RIPSÅTER Isac 00 - 01 [4:00]	1.

Results

Pos	Name
1	Isac RIPSÅTER SWE/Växjö JK
2	Miljohn MAXLIN SWE/Stockholms JK
3	Heydar PASHAEV SWE/Stockholms JK
3	Mansur salambekovitsj ABUBAKAROV NOR/Norsk judo

Green Hill International 2019 10-11/8 Stockholm B18-55

Competitors: 11



Competitors A

A	#	Name	Club	1	2	3	4	Wins	Pts	Pos
	1	Mateusz KALWAS	Polska Seivsei Ptock		10	10	0	2	20	2
	2	Alexander MÅRLÖV	Stockholms JK	0		0	0	0	0	4
	3	Derek MARCZAK	Ernest bevin phoenix JC	0	10		0	1	10	3
	4	William EKEROTH	Karlstad JK	10	1	10		3	21	1

Competitors B

B	#	Name	Club	5	6	7	Wins	Pts	Pos
	5	Henry GHISLER	Stockholms JK		0	0	0	0	3
	6	Irakli GOGINASHVKI	Ernest bevin phoenix JC	10		10	2	20	1
	7	Vincent LUNDBERG	Stockholms JK	1	0		1	1	2

Matches

Match	White		Blue		Result	Time
1	Mateusz KALWAS	1	Alexander MÅRLÖV	2	10 - 0	3:20
2	Derek MARCZAK	3	William EKEROTH	4	0 - 10	2:47
3	Henry GHISLER	5	Irakli GOGINASHVKI	6	0 - 10	3:04
4	Mateusz KALWAS	1	Derek MARCZAK	3	10 - 0	7:16
5	Alexander MÅRLÖV	2	William EKEROTH	4	0 - 1	4:00
6	Henry GHISLER	5	Vincent LUNDBERG	7	0 - 1	4:00
7	Mateusz KALWAS	1	William EKEROTH	4	0 - 10	3:19
8	Alexander MÅRLÖV	2	Derek MARCZAK	3	0 - 10	1:42
9	Irakli GOGINASHVKI	6	Vincent LUNDBERG	7	10 - 0	2:43

FINALS	EKEROTH William SWE/Karlstad JK	10	EKEROTH 01s1 - 00s2 [4:28]
	LUNDBERG Vincent SWE/Stockholms JK		
	GOGINASHVKI Irakli GBR/Ernest bevin phoenix JC	11	GOGINASHVKI 10 - 00 [1:46]
	KALWAS Mateusz POL/Polska Seivsei Ptock		

12	GOGINASHVKI Irakli 00s1 - 10 [0:49]	1.
----	---	-----------

Results

Pos	Name
1	Irakli GOGINASHVKI GBR/Ernest bevin phoenix JC
2	William EKEROTH SWE/Karlstad JK
3	Vincent LUNDBERG SWE/Stockholms JK
3	Mateusz KALWAS POL/Polska Seivsei Ptock

Competitors

#	Name	Club	1	2	3	Wins	Pts	Pos
1	Maya RIBEIRO NOVAIS	SWE/SPIF		10	10	2	20	1
2	Jennifer TÖRNROS	SWE/Bollnäs judo	0		0	0	0	3
3	Zora ZEMANKOVA	CZE/Judo ceska trebova	0	10		1	10	2

Matches

Match	White		Blue		Result	Time
1	Maya RIBEIRO NOVAIS	1	2	Jennifer TÖRNROS	10 - 0	0:13
2	Maya RIBEIRO NOVAIS	1	3	Zora ZEMANKOVA	10 - 0	0:57
3	Jennifer TÖRNROS	2	3	Zora ZEMANKOVA	0 - 10	0:30

Results

Pos	Name
1	Maya RIBEIRO NOVAIS SWE/SPIF
2	Zora ZEMANKOVA CZE/Judo ceska trebova
3	Jennifer TÖRNROS SWE/Bollnäs judo

Competitors

#	Name	Club	1	2	3	4	Wins	Pts	Pos
1	Nicola POBLOCKA LADRAA	SWE/Stockholms JK		0	0	0	0	0	4
2	Nataly BAZAN	SWE/Stockholms JK	10		0	10	2	20	2
3	Petra VAZKOVA	CZE/Judo ceska trebova	10	10		10	3	30	1
4	Louise Bjersbo	SWE/Täby judo	10	0	0		1	10	3

Matches

Match	White			Blue	Result	Time
1	Nicola POBLOCKA LADRAA	1	2	Nataly BAZAN	0 - 10	0:28
2	Petra VAZKOVA	3	4	Louise Bjersbo	10 - 0	0:08
3	Nicola POBLOCKA LADRAA	1	3	Petra VAZKOVA	0 - 10	0:12
4	Nataly BAZAN	2	4	Louise Bjersbo	10 - 0	0:43
5	Nicola POBLOCKA LADRAA	1	4	Louise Bjersbo	0 - 10	1:16
6	Nataly BAZAN	2	3	Petra VAZKOVA	0 - 10	1:52

Results

Pos	Name
1	Petra VAZKOVA CZE/Judo ceska trebova
2	Nataly BAZAN SWE/Stockholms JK
3	Louise Bjersbo SWE/Täby judo
4	Nicola POBLOCKA LADRAA SWE/Stockholms JK

Competitors A

A	#	Name	Club	1	2	3	Wins	Pts	Pos
	1	Courtney CASEY	Shinbudo		10	0	1	10	2
	2	Vilma ÖBERG	Stockholms JK	0		0	0	0	3
	3	Ingrid NILSSON	Frövi Judo	10	10		2	20	1

Competitors B

B	#	Name	Club	4	5	6	Wins	Pts	Pos
	4	Saga KÄVRESTAD	Upplands Väsby JK		0	0	0	0	3
	5	Ella NYKÄNEN	Yama-arashi, varkaus	10		0	1	10	2
	6	Tove NIELSEN	Uppsala JK	10	10		2	20	1

Matches

Match	White	Blue	Result	Time
1	Courtney CASEY 1 2	Vilma ÖBERG	10 - 0	2:36
2	Saga KÄVRESTAD 4 5	Ella NYKÄNEN	0 - 10	0:19
3	Courtney CASEY 1 3	Ingrid NILSSON	0 - 10	0:29
4	Saga KÄVRESTAD 4 6	Tove NIELSEN	0 - 10	1:15
5	Vilma ÖBERG 2 3	Ingrid NILSSON	0 - 10	0:09
6	Ella NYKÄNEN 5 6	Tove NIELSEN	0 - 10	0:38

FINALS	NILSSON Ingrid SWE/Frövi Judo	7	NILSSON 10 - 00 [0:14]
	NYKÄNEN Ella FIN/Yama-arashi, varkaus		
	NIELSEN Tove SWE/Uppsala JK	8	CASEY 00 - 10 [1:40]
	CASEY Courtney GBR/Shinbudo		

9	NILSSON Ingrid 10 - 00 [0:37]	1.
---	-------------------------------------	-----------

Results

Pos	Name
1	Ingrid NILSSON SWE/Frövi Judo
2	Courtney CASEY GBR/Shinbudo
3	Ella NYKÄNEN FIN/Yama-arashi, varkaus
3	Tove NIELSEN SWE/Uppsala JK

Competitors

#	Name	Club	1	2	3	4	Wins	Pts	Pos
1	Vilda BACKLUND	SWE/IKVM		10	10	10	3	30	1
2	Melina BEISCHER	SWE/Borlänge JK	0		0	0	0	0	4
3	Sophia VAN ISSUM	BEL/JC samourai dilsen	0	10		0	1	10	3
4	Kristyna STUSAKOVA	CZE/Judo ceska trebova	0	10	10		2	20	2

Matches

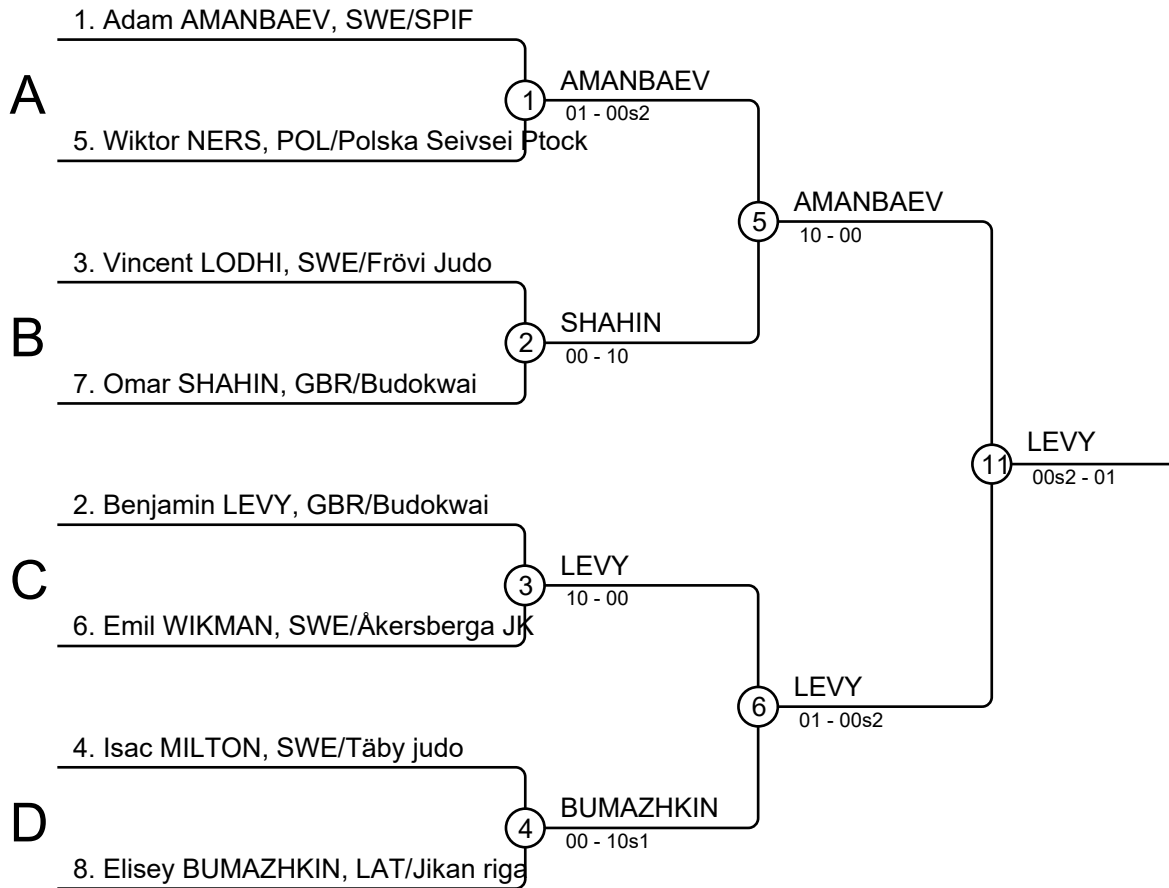
Match	White			Blue	Result	Time
1	Vilda BACKLUND	1	2	Melina BEISCHER	10 - 0	0:29
2	Sophia VAN ISSUM	3	4	Kristyna STUSAKOVA	0 - 10	0:36
3	Vilda BACKLUND	1	3	Sophia VAN ISSUM	10 - 0	0:51
4	Melina BEISCHER	2	4	Kristyna STUSAKOVA	0 - 10	
5	Vilda BACKLUND	1	4	Kristyna STUSAKOVA	10 - 0	0:30
6	Melina BEISCHER	2	3	Sophia VAN ISSUM	0 - 10	

Results

Pos	Name
1	Vilda BACKLUND SWE/IKVM
2	Kristyna STUSAKOVA CZE/Judo ceska trebova
3	Sophia VAN ISSUM BEL/JC samourai dilsen
4	Melina BEISCHER SWE/Borlänge JK

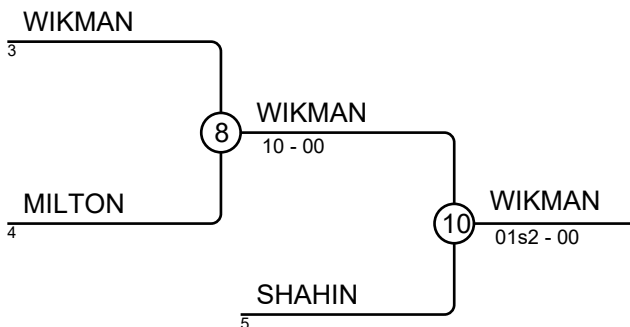
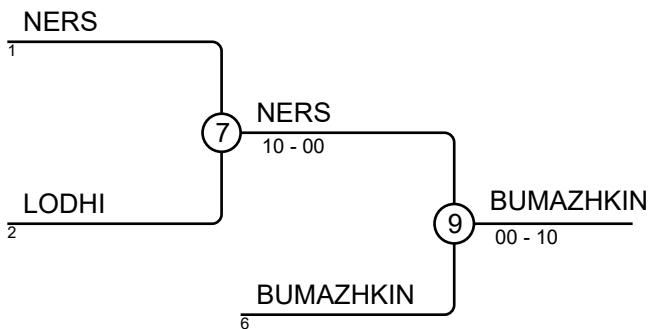
Green Hill International 2019 10-11/8 Stockholm B15-66

Competitors: 8



Results

Pos	Name
1	Benjamin LEVY, GBR/Budokwai
2	Adam AMANBAEV, SWE/SPIF
3	Elisey BUMAZHKIN, LAT/Jikan riga
3	Emil WIKMAN, SWE/Åkersberga JK
5	Wiktor NERS, POL/Polska Seivsei Ptock
5	Omar SHAHIN, GBR/Budokwai
7	Vincent LODHI, SWE/Frövi Judo
7	Isac MILTON, SWE/Täby judo



Competitors A

A	#	Name	Club	1	2	3	Wins	Pts	Pos
	1	Sebastien PORUBLEV	SPIF		0	0	0	0	3
	2	Alvar YLIRUUSI	Tampereen judo	10		0	1	10	2
	3	Corey O'NEAL-NARCIS	Budokw ai	10	10		2	20	1

Competitors B

B	#	Name	Club	4	5	6	Wins	Pts	Pos
	4	Ilya MYADININ	SPIF		10	10	2	20	1
	5	Vilhelm HELJASVAARA	Åkersberga JK	0		10	1	10	2
	6	Piotr GISZCZAK	Polska Seivsei Ptock	0	0		0	0	3

Matches

Match	White		Blue		Result	Time
1	Sebastien PORUBLEV	1	2	Alvar YLIRUUSI	0 - 10	0:47
2	Ilya MYADININ	4	5	Vilhelm HELJASVAARA	10 - 0	5:46
3	Sebastien PORUBLEV	1	3	Corey O'NEAL-NARCIS	0 - 10	0:12
4	Ilya MYADININ	4	6	Piotr GISZCZAK	10 - 0	0:21
5	Alvar YLIRUUSI	2	3	Corey O'NEAL-NARCIS	0 - 10	2:38
6	Vilhelm HELJASVAARA	5	6	Piotr GISZCZAK	10 - 0	2:15

FINALS	O'NEAL-NARCIS Corey GBR/Budokwai	7	O'NEAL-NARCIS 10 - 00 [0:52]
	HELJASVAARA Vilhelm SWE/Åkersberga JK		
	MYADININ Ilya SWE/SPIF	8	MYADININ 10 - 00 [2:13]
	YLIRUUSI Alvar FIN/Tampereen judo		

9	O'NEAL-NARCIS Corey 11 - 01 [1:37]	1.
---	--	-----------

Results

Pos	Name
1	Corey O'NEAL-NARCIS GBR/Budokw ai
2	Ilya MYADININ SWE/SPIF
3	Vilhelm HELJASVAARA SWE/Åkersberga JK
3	Alvar YLIRUUSI FIN/Tampereen judo

Competitors

#	Name	Club	1	2	3	4	5	Wins	Pts	Pos
1	Peter SCHYLDT	SWE/Täby judo		10	0	0	0	1	10	4
2	Luka TRIFKOVIC	SWE/Stockholms JK	0		0	0	0	0	0	5
3	Evangelos KAMPE	GBR/Budokw ai	10	10		1	0	3	21	2
4	Vide SALOMONSON	SWE/Uppsala JK	10	10	0		0	2	20	3
5	Rasmus HÅKANSON	SWE/Uppsala JK	10	10	10	10		4	40	1

Matches

Match	White	Blue	Result	Time
1	Vide SALOMONSON 4 5	Rasmus HÅKANSON	0 - 10	0:37
2	Peter SCHYLDT 1 2	Luka TRIFKOVIC	10 - 0	0:46
3	Evangelos KAMPE 3 4	Vide SALOMONSON	1 - 0	3:00
4	Peter SCHYLDT 1 5	Rasmus HÅKANSON	0 - 10	0:51
5	Luka TRIFKOVIC 2 3	Evangelos KAMPE	0 - 10	0:54
6	Peter SCHYLDT 1 4	Vide SALOMONSON	0 - 10	0:30
7	Evangelos KAMPE 3 5	Rasmus HÅKANSON	0 - 10	2:02
8	Luka TRIFKOVIC 2 4	Vide SALOMONSON	0 - 10	2:34
9	Peter SCHYLDT 1 3	Evangelos KAMPE	0 - 10	2:09
10	Luka TRIFKOVIC 2 5	Rasmus HÅKANSON	0 - 10	1:06

Results

Pos	Name
1	Rasmus HÅKANSON SWE/Uppsala JK
2	Evangelos KAMPE GBR/Budokw ai
3	Vide SALOMONSON SWE/Uppsala JK
4	Peter SCHYLDT SWE/Täby judo
5	Luka TRIFKOVIC SWE/Stockholms JK

Competitors A

A	#	Name	Club	1	2	3	4	Wins	Pts	Pos
	1	Vidar LOVANG	Linköping judo		0	0	0	0	0	4
	2	Ville MATTSSON	Stockholms JK	10		0	0	1	10	3
	3	Rasmus VAUHKONEN	Tampereen judo	10	10		0	2	20	2
	4	Irakli GOGINASHVKI	Ernest bevin phoenix JC	10	1	1		3	12	1

Competitors B

B	#	Name	Club	5	6	7	8	Wins	Pts	Pos
	5	Luka ZIVANOVIC	Södertälje JK		10	10	10	3	30	1
	6	Matti HELLBLOM	Uppsala JK	0		0	0	0	0	4
	7	Justus OJANNE	Tampereen judo	0	10		10	2	20	2
	8	Axel WESTBERG	Saltsjö JK	0	1	0		1	1	3

Matches

Match	White	Blue	Result	Time
1	Vidar LOVANG	1 2 Ville MATTSSON	0 - 10	1:56
2	Luka ZIVANOVIC	5 6 Matti HELLBLOM	10 - 0	0:07
3	Rasmus VAUHKONEN	3 4 Irakli GOGINASHVKI	0 - 1	3:00
4	Justus OJANNE	7 8 Axel WESTBERG	10 - 0	0:51
5	Vidar LOVANG	1 3 Rasmus VAUHKONEN	0 - 10	1:49
6	Luka ZIVANOVIC	5 7 Justus OJANNE	10 - 0	1:42
7	Ville MATTSSON	2 4 Irakli GOGINASHVKI	0 - 1	5:58
8	Matti HELLBLOM	6 8 Axel WESTBERG	0 - 1	3:00
9	Vidar LOVANG	1 4 Irakli GOGINASHVKI	0 - 10	1:56
10	Luka ZIVANOVIC	5 8 Axel WESTBERG	10 - 0	0:06
11	Ville MATTSSON	2 3 Rasmus VAUHKONEN	0 - 10	2:07
12	Matti HELLBLOM	6 7 Justus OJANNE	0 - 10	0:24

FINALS	GOGINASHVKI Irakli GBR/Ernest bevin phoenix JC	13	OJANNE 00s1 - 10s1 [1:29]
	OJANNE Justus FIN/Tampereen judo		
	ZIVANOVIC Luka SWE/Södertälje JK	14	VAUHKONEN 00 - 10 [1:46]
	VAUHKONEN Rasmus FIN/Tampereen judo		

15	VAUHKONEN Rasmus 00s1 - 01s1 [3:00]	1.
----	---	-----------

Results

Pos	Name
1	Rasmus VAUHKONEN FIN/Tampereen judo
2	Justus OJANNE FIN/Tampereen judo
3	Irakli GOGINASHVKI GBR/Ernest bevin phoenix JC
3	Luka ZIVANOVIC SWE/Södertälje JK

Competitors

#	Name	Club	1	2	3	4	5	Wins	Pts	Pos
1	Henry GHISLER	SWE/Stockholms JK		0	10	1	0	2	11	4
2	Leo ANDERSSON	SWE/Karlstad JK	10		0	10	10	3	30	1
3	Mateusz KALWAS	POL/Polska Seivsei Ptock	0	10		10	0	2	20	3
4	James SMITH	GBR/Yate star	0	0	0		1	1	1	5
5	Derek MARCZAK	GBR/Ernest bevin phoenix JC	10	0	10	0		2	20	2

Matches

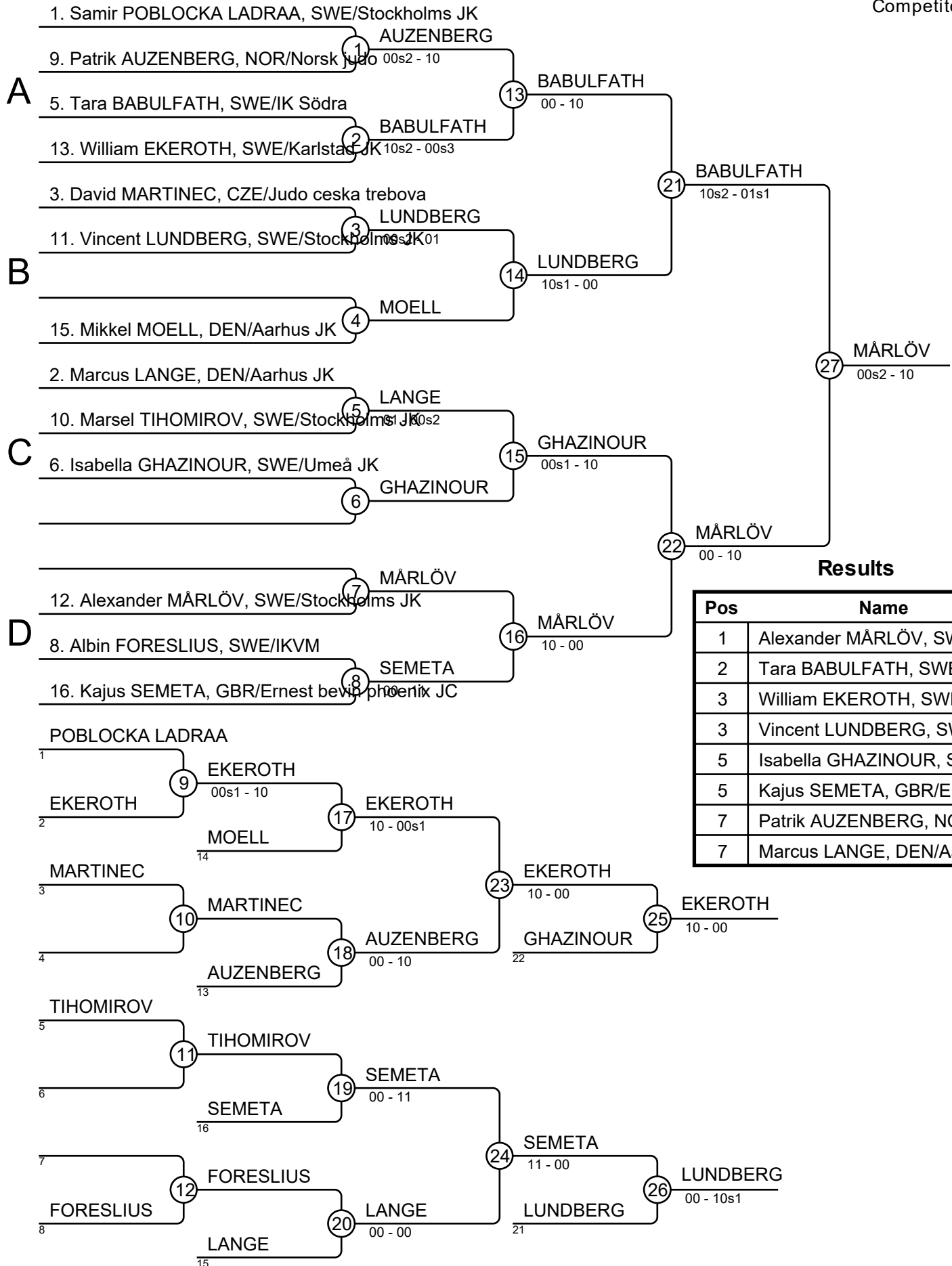
Match	White	Blue	Result	Time
1	James SMITH 4 5	Derek MARCZAK	1 - 0	2:00
2	Henry GHISLER 1 2	Leo ANDERSSON	0 - 10	5:41
3	Mateusz KALWAS 3 4	James SMITH	10 - 0	1:02
4	Henry GHISLER 1 5	Derek MARCZAK	0 - 10	0:19
5	Leo ANDERSSON 2 3	Mateusz KALWAS	0 - 10	3:55
6	Henry GHISLER 1 4	James SMITH	1 - 0	3:00
7	Mateusz KALWAS 3 5	Derek MARCZAK	0 - 10	2:56
8	Leo ANDERSSON 2 4	James SMITH	10 - 0	0:18
9	Henry GHISLER 1 3	Mateusz KALWAS	10 - 0	2:38
10	Leo ANDERSSON 2 5	Derek MARCZAK	10 - 0	5:10

Results

Pos	Name
1	Leo ANDERSSON SWE/Karlstad JK
2	Derek MARCZAK GBR/Ernest bevin phoenix JC
3	Mateusz KALWAS POL/Polska Seivsei Ptock
4	Henry GHISLER SWE/Stockholms JK
5	James SMITH GBR/Yate star

Green Hill International 2019 10-11/8 Stockholm B15-42

Competitors: 13



Competitors

#	Name	Club	1	2	3	4	Wins	Pts	Pos
1	Nicola POBLOCKA LADRAA	SWE/Stockholms JK		0	10	10	2	20	2
2	Linnea GRANVOLD	SWE/Borlänge JK	10		10	0	2	20	1
3	Vanessa ROSBÄCK	FIN/Ålands JK	0	0		10	1	10	3
4	Maja SVENSSON	SWE/Frövi Judo	0	10	0		1	10	4

Matches

Match	White	Blue	Result	Time
1	Nicola POBLOCKA LADRAA 1 2	Linnea GRANVOLD	0 - 10	1:20
2	Vanessa ROSBÄCK 3 4	Maja SVENSSON	10 - 0	0:33
3	Nicola POBLOCKA LADRAA 1 3	Vanessa ROSBÄCK	10 - 0	2:01
4	Linnea GRANVOLD 2 4	Maja SVENSSON	0 - 10	1:28
5	Nicola POBLOCKA LADRAA 1 4	Maja SVENSSON	10 - 0	1:06
6	Linnea GRANVOLD 2 3	Vanessa ROSBÄCK	10 - 0	0:27

Results

Pos	Name
1	Linnea GRANVOLD SWE/Borlänge JK
2	Nicola POBLOCKA LADRAA SWE/Stockholms JK
3	Vanessa ROSBÄCK FIN/Ålands JK
4	Maja SVENSSON SWE/Frövi Judo

Green Hill International 2019

Stockholm
10-11/8**G15-57**

Tatami: 1, Competitors: 3

Competitors

#	Name	Club	1	2	3	Wins	Pts	Pos
1	Ingrid NILSSON	SWE/Frövi Judo		10	10	2	20	1
2	Vilja KÖRDEL	SWE/Trollhättans JK	0		10	1	10	2
3	Röskva GOTTBER	FIN/Ålands JK	0	0		0	0	3

Matches

Match	White		Blue		Result	Time
1	Ingrid NILSSON	1	2	Vilja KÖRDEL	10 - 0	0:32
2	Ingrid NILSSON	1	3	Röskva GOTTBER	10 - 0	0:29
3	Vilja KÖRDEL	2	3	Röskva GOTTBER	10 - 0	0:34

Results

Pos	Name
1	Ingrid NILSSON SWE/Frövi Judo
2	Vilja KÖRDEL SWE/Trollhättans JK
3	Röskva GOTTBER FIN/Ålands JK

Green Hill International 2019

Stockholm
10-11/8**G15-52**

Tatami: 2, Competitors: 3

Competitors

#	Name	Club	1	2	3	Wins	Pts	Pos
1	Vilda BACKLUND	SWE/IKVM		10	10	2	20	1
2	Petra KARASTOJANOVA	CZE/Judo ceska trebova	0		0	0	0	3
3	Ella NYKÄNEN	FIN/Yama-arashi, varkaus	0	1		1	1	2

Matches

Match	White			Blue	Result	Time
1	Vilda BACKLUND	1	2	Petra KARASTOJANOVA	10 - 0	1:57
2	Vilda BACKLUND	1	3	Ella NYKÄNEN	10 - 0	2:46
3	Petra KARASTOJANOVA	2	3	Ella NYKÄNEN	0 - 1	3:59

Results

Pos	Name
1	Vilda BACKLUND SWE/IKVM
2	Ella NYKÄNEN FIN/Yama-arashi, varkaus
3	Petra KARASTOJANOVA CZE/Judo ceska trebova

Competitors

#	Name	Club	1	2	3	4	Wins	Pts	Pos
1	Sofia CORDOVA	SWE/Stockholms JK		10	10	0	2	20	2
2	Isabella GHAZINOUR	SWE/Umeå JK	0		10	0	1	10	3
3	Keira SEMETE	GBR/Ernest bevin phoenix JC	0	0		0	0	0	4
4	Tara BABULFATH	SWE/IK Södra	10	10	10		3	30	1

Matches

Match	White	Blue	Result	Time
1	Sofia CORDOVA 1 2	Isabella GHAZINOUR	10 - 0	1:01
2	Keira SEMETE 3 4	Tara BABULFATH	0 - 10	0:16
3	Sofia CORDOVA 1 3	Keira SEMETE	10 - 0	0:30
4	Isabella GHAZINOUR 2 4	Tara BABULFATH	0 - 10	1:54
5	Sofia CORDOVA 1 4	Tara BABULFATH	0 - 10	1:13
6	Isabella GHAZINOUR 2 3	Keira SEMETE	10 - 0	1:06

Results

Pos	Name
1	Tara BABULFATH SWE/IK Södra
2	Sofia CORDOVA SWE/Stockholms JK
3	Isabella GHAZINOUR SWE/Umeå JK
4	Keira SEMETE GBR/Ernest bevin phoenix JC

Competitors A

A	#	Name	Club	1	2	3	Wins	Pts	Pos
	1	Carl ORRBO	Frövi Judo		10	0	1	10	2
	2	Theo OLSSON	Saltsjö JK	0		0	0	0	3
	3	Derek MARCZAK	Ernest bevin phoenix JC	10	10		2	20	1

Competitors B

B	#	Name	Club	4	5	6	Wins	Pts	Pos
	4	Kalle MATTSSON	Stockholms JK		10	0	1	10	2
	5	Zacharias EL ZEIN	SPIF	0		0	0	0	3
	6	Juho TOIVONEN	Tampereen judo	1	10		2	11	1

Matches

Match	White		Blue		Result	Time
1	Carl ORRBO	1	2	Theo OLSSON	10 - 0	3:00
2	Kalle MATTSSON	4	5	Zacharias EL ZEIN	10 - 0	3:00
3	Carl ORRBO	1	3	Derek MARCZAK	0 - 10	0:21
4	Kalle MATTSSON	4	6	Juho TOIVONEN	0 - 1	3:00
5	Theo OLSSON	2	3	Derek MARCZAK	0 - 10	1:05
6	Zacharias EL ZEIN	5	6	Juho TOIVONEN	0 - 10	0:10

FINALS	MARCZAK Derek GBR/Ernest bevin phoenix JC	7	MARCZAK 10 - 00 [0:10]
	MATTSSON Kalle SWE/Stockholms JK		
	TOIVONEN Juho FIN/Tampereen judo	8	TOIVONEN 10 - 00 [0:26]
	ORRBO Carl SWE/Frövi Judo		

9	MARCZAK Derek 10 - 00 [0:19]	1.
---	------------------------------------	-----------

Results

Pos	Name
1	Derek MARCZAK GBR/Ernest bevin phoenix JC
2	Juho TOIVONEN FIN/Tampereen judo
3	Kalle MATTSSON SWE/Stockholms JK
3	Carl ORRBO SWE/Frövi Judo

Competitors A

A	#	Name	Club	1	2	3	4	Wins	Pts	Pos
	1	Vladislav LITUNENKO	Olympic hopes st. petersburg	0	10	10		2	20	2
	2	Vincent LUNDBERG	Stockholms JK	10		10	10	3	30	1
	3	Filip DAHLQVIST	IKVM	0	0		0	0	0	4
	4	Mikkel MOELL	Aarhus JK	0	0	10		1	10	3

Competitors B

B	#	Name	Club	5	6	7	Wins	Pts	Pos
	5	Nikoloz GURULI	Stockholms JK		0	10	1	10	2
	6	Alexander MÅRLÖV	Stockholms JK	10		10	2	20	1
	7	Marcus LANGE	Aarhus JK	0	0		0	0	3

Matches

Match	White		Blue		Result	Time
1	Vladislav LITUNENKO	1 2	Vincent LUNDBERG		0 - 10	1:01
2	Filip DAHLQVIST	3 4	Mikkel MOELL		0 - 10	0:15
3	Nikoloz GURULI	5 6	Alexander MÅRLÖV		0 - 10	1:13
4	Vladislav LITUNENKO	1 3	Filip DAHLQVIST		10 - 0	0:40
5	Vincent LUNDBERG	2 4	Mikkel MOELL		10 - 0	0:46
6	Nikoloz GURULI	5 7	Marcus LANGE		10 - 0	1:42
7	Vladislav LITUNENKO	1 4	Mikkel MOELL		10 - 0	0:47
8	Vincent LUNDBERG	2 3	Filip DAHLQVIST		10 - 0	0:14
9	Alexander MÅRLÖV	6 7	Marcus LANGE		10 - 0	1:51

FINALS	LUNDBERG Vincent SWE/Stockholms JK	10	LUNDBERG 10 - 00 [1:09]
	GURULI Nikoloz SWE/Stockholms JK		
	MÅRLÖV Alexander SWE/Stockholms JK	11	MÅRLÖV 10 - 00 [0:45]
	LITUNENKO Vladislav RUS/Olympic hopes st. petersburg		

12	MÅRLÖV Alexander 00s1 - 10 [1:56]	1.
----	---	-----------

Results

Pos	Name
1	Alexander MÅRLÖV SWE/Stockholms JK
2	Vincent LUNDBERG SWE/Stockholms JK
3	Nikoloz GURULI SWE/Stockholms JK
3	Vladislav LITUNENKO RUS/Olympic hopes st. petersburg

Competitors

#	Name	Club	1	2	3	4	5	Wins	Pts	Pos
1	Marsel TIHOMIROV	SWE/Stockholms JK		10	1	10	0	3	21	2
2	Linus NORLIN	SWE/Saltsjö JK	0		0	10	10	2	20	4
3	Hugo IVARSSON	SWE/Oxelösunds JK	0	10		10	0	2	20	3
4	Vilmer RANHAGEN	SWE/Täby judo	0	0	0		0	0	0	5
5	Frank BRINGBY	SWE/Täby judo	1	0	10	10		3	21	1

Matches

Match	White		Blue		Result	Time
1	Vilmer RANHAGEN	4	5	Frank BRINGBY	0 - 10	0:57
2	Marsel TIHOMIROV	1	2	Linus NORLIN	10 - 0	0:46
3	Hugo IVARSSON	3	4	Vilmer RANHAGEN	10 - 0	0:52
4	Marsel TIHOMIROV	1	5	Frank BRINGBY	0 - 1	4:17
5	Linus NORLIN	2	3	Hugo IVARSSON	0 - 10	1:47
6	Marsel TIHOMIROV	1	4	Vilmer RANHAGEN	10 - 0	1:17
7	Hugo IVARSSON	3	5	Frank BRINGBY	0 - 10	0:57
8	Linus NORLIN	2	4	Vilmer RANHAGEN	10 - 0	1:27
9	Marsel TIHOMIROV	1	3	Hugo IVARSSON	1 - 0	3:00
10	Linus NORLIN	2	5	Frank BRINGBY	10 - 0	1:33

Results

Pos	Name
1	Frank BRINGBY SWE/Täby judo
2	Marsel TIHOMIROV SWE/Stockholms JK
3	Hugo IVARSSON SWE/Oxelösunds JK
4	Linus NORLIN SWE/Saltsjö JK
5	Vilmer RANHAGEN SWE/Täby judo

Green Hill International 2019

Stockholm
10-11/8**B13-34**

Tatami: 1, Competitors: 3

Competitors

#	Name	Club	1	2	3	Wins	Pts	Pos
1	Aleksi MOROZOV	SWE/Stockholms JK		0	10	1	10	2
2	Samir POBLOCKA LADRAA	SWE/Stockholms JK	10		0	1	10	1
3	Jakob IVARSSON	SWE/Oxelösunds JK	0	10		1	10	3

Matches

Match	White		Blue		Result	Time
1	Aleksi MOROZOV	1	2	Samir POBLOCKA LADRAA	0 - 10	1:31
2	Aleksi MOROZOV	1	3	Jakob IVARSSON	10 - 0	2:17
3	Samir POBLOCKA LADRAA	2	3	Jakob IVARSSON	0 - 10	2:35

Results

Pos	Name
1	Samir POBLOCKA LADRAA SWE/Stockholms JK
2	Aleksi MOROZOV SWE/Stockholms JK
3	Jakob IVARSSON SWE/Oxelösunds JK

Green Hill International 2019

Stockholm
10-11/8**B13-55**

Tatami: 1, Competitors: 3

Competitors

#	Name	Club	1	2	3	Wins	Pts	Pos
1	Wilmer MATTSSON	SWE/Trollhättans JK		10	10	2	20	1
2	William KRUS	SWE/IKVM	0		0	0	0	3
3	Erik ROSENKRANS	SWE/IK Södra	0	10		1	10	2

Matches

Match	White			Blue	Result	Time
1	Wilmer MATTSSON	1	2	William KRUS	10 - 0	0:06
2	Wilmer MATTSSON	1	3	Erik ROSENKRANS	10 - 0	0:19
3	William KRUS	2	3	Erik ROSENKRANS	0 - 10	2:09

Results

Pos	Name
1	Wilmer MATTSSON SWE/Trollhättans JK
2	Erik ROSENKRANS SWE/IK Södra
3	William KRUS SWE/IKVM

Competitors

#	Name	Club	1	2	1	2	1	2	Wins	Pts	Pos
1	Nikola COLIC	SWE/Norrköpings JK		0		0		0	0	0	2
2	Eisey BUMAZHKIN	LAT/Jikan riga	10		10		10		3	30	1

Matches

Match	White		Blue		Result	Time
1	Nikola COLIC	1	2	Eisey BUMAZHKIN	0 - 10	0:26
2	Nikola COLIC	1	2	Eisey BUMAZHKIN	0 - 10	
3	Nikola COLIC	1	2	Eisey BUMAZHKIN	0 - 10	0:49

Results

Pos	Name
1	Eisey BUMAZHKIN LAT/Jikan riga
2	Nikola COLIC SWE/Norrköpings JK

Competitors

#	Name	Club	1	2	3	4	5	Wins	Pts	Pos
1	Beata ZEMANKOVA	CZE/Judo ceska trebova		0	0	10	0	1	10	4
2	Hanna BABULFATH	SWE/IK Södra	10		0	1	1	3	12	2
3	Hailey SASSEN	BEL/JC samourai dilsen	10	10		10	10	4	40	1
4	Elvira SKOGLUND	SWE/Frövi Judo	0	0	0		0	0	0	5
5	Dayana ORTIZ	SWE/Stockholms JK	10	0	0	10		2	20	3

Matches

Match	White		Blue		Result	Time
1	Elvira SKOGLUND	4	5	Dayana ORTIZ	0 - 10	0:41
2	Beata ZEMANKOVA	1	2	Hanna BABULFATH	0 - 10	1:11
3	Hailey SASSEN	3	4	Elvira SKOGLUND	10 - 0	0:25
4	Beata ZEMANKOVA	1	5	Dayana ORTIZ	0 - 10	0:21
5	Hanna BABULFATH	2	3	Hailey SASSEN	0 - 10	3:47
6	Beata ZEMANKOVA	1	4	Elvira SKOGLUND	10 - 0	1:17
7	Hailey SASSEN	3	5	Dayana ORTIZ	10 - 0	0:59
8	Hanna BABULFATH	2	4	Elvira SKOGLUND	1 - 0	3:00
9	Beata ZEMANKOVA	1	3	Hailey SASSEN	0 - 10	0:44
10	Hanna BABULFATH	2	5	Dayana ORTIZ	1 - 0	3:00

Results

Pos	Name
1	Hailey SASSEN BEL/JC samourai dilsen
2	Hanna BABULFATH SWE/IK Södra
3	Dayana ORTIZ SWE/Stockholms JK
4	Beata ZEMANKOVA CZE/Judo ceska trebova
5	Elvira SKOGLUND SWE/Frövi Judo

Green Hill International 2019

Stockholm
10-11/8**G13-44**

Tatami: 1, Competitors: 3

Competitors

#	Name	Club	1	2	3	Wins	Pts	Pos
1	Emma REBIC	SWE/Mariestads JK		0	0	0	0	3
2	Wilma LUNDH	SWE/Saltsjö JK	10		0	1	10	2
3	Mira KÖRDEL	SWE/Trollhättans JK	10	10		2	20	1

Matches

Match	White			Blue	Result	Time
1	Emma REBIC	1	2	Wilma LUNDH	0 - 10	3:00
2	Emma REBIC	1	3	Mira KÖRDEL	0 - 10	0:45
3	Wilma LUNDH	2	3	Mira KÖRDEL	0 - 10	1:38

Results

Pos	Name
1	Mira KÖRDEL SWE/Trollhättans JK
2	Wilma LUNDH SWE/Saltsjö JK
3	Emma REBIC SWE/Mariestads JK

Competitors A

A	#	Name	Club	1	2	3	Wins	Pts	Pos
	1	Sofia CORDOVA	Stockholms JK		10	10	2	20	1
	2	Alicia NORSTRÖM	IK Södra	0		10	1	10	2
	3	Ester PAGSTEDT	Frövi Judo	0	0		0	0	3

Competitors B

B	#	Name	Club	4	5	6	Wins	Pts	Pos
	4	Ebba PETERSON	Frövi Judo		0	10	1	10	2
	5	Keira SEMETE	Ernest bevin phoenix JC	10		10	2	20	1
	6	Smilla BACKLUND	IKVM	0	0		0	0	3

Matches

Match	White		Blue		Result	Time
1	Sofia CORDOVA	1 2	Alicia NORSTRÖM		10 - 0	0:10
2	Ebba PETERSON	4 5	Keira SEMETE		0 - 10	0:18
3	Sofia CORDOVA	1 3	Ester PAGSTEDT		10 - 0	0:42
4	Ebba PETERSON	4 6	Smilla BACKLUND		10 - 0	0:50
5	Alicia NORSTRÖM	2 3	Ester PAGSTEDT		10 - 0	1:41
6	Keira SEMETE	5 6	Smilla BACKLUND		10 - 0	0:28

FINALS	CORDOVA Sofia SWE/Stockholms JK	7	CORDOVA 10 - 00 [0:14]
	PETERSON Ebba SWE/Frövi Judo		
	SEMETE Keira GBR/Ernest bevin phoenix JC	8	SEMETE 10 - 00 [0:09]
	NORSTRÖM Alicia SWE/IK Södra		

9	SEMETE Keira 00s1 - 10s1 [2:10]	1.
---	------------------------------------	-----------

Results

Pos	Name
1	Keira SEMETE GBR/Ernest bevin phoenix JC
2	Sofia CORDOVA SWE/Stockholms JK
3	Ebba PETERSON SWE/Frövi Judo
3	Alicia NORSTRÖM SWE/IK Södra

Competitors

#	Name	Club	1	2	3	4	Wins	Pts	Pos
1	Bianca NORDLUND	SWE/Frövi Judo		10	10	10	3	30	1
2	Elsa PETERSON	SWE/Frövi Judo	0		10	10	2	20	2
3	Junie MATSSON	SWE/Trollhättans JK	0	0		0	0	0	4
4	Adrianna PORUBLEV	SWE/SPIF	0	0	10		1	10	3

Matches

Match	White	Blue	Result	Time
1	Bianca NORDLUND	Elsa PETERSON	10 - 0	0:22
2	Junie MATSSON	Adrianna PORUBLEV	0 - 10	3:00
3	Bianca NORDLUND	Junie MATSSON	10 - 0	1:22
4	Elsa PETERSON	Adrianna PORUBLEV	10 - 0	3:00
5	Bianca NORDLUND	Adrianna PORUBLEV	10 - 0	1:20
6	Elsa PETERSON	Junie MATSSON	10 - 0	0:14

Results

Pos	Name
1	Bianca NORDLUND SWE/Frövi Judo
2	Elsa PETERSON SWE/Frövi Judo
3	Adrianna PORUBLEV SWE/SPIF
4	Junie MATSSON SWE/Trollhättans JK

Competitors A

A	#	Name	Club	1	2	3	4	Wins	Pts	Pos
	1	Douglas NORDLUND	Frövi Judo		10	0	0	1	10	3
	2	Lukas RISTRÖM	Oxelösunds JK	0		0	0	0	0	4
	3	Stepan PAVLOV	Olympic hopes st. petersburg	10	10		10	3	30	1
	4	Frans LILJENROTH	Frövi Judo	10	1	0		2	11	2

Competitors B

B	#	Name	Club	5	6	7	Wins	Pts	Pos
	5	Alexander SOKOLOWSKI	Oxelösunds JK		0	0	0	0	3
	6	Valtteri HILTULA	Fudoshin rauma	10		10	2	20	1
	7	Ruben GÄLLMAN	Frövi Judo	10	0		1	10	2

Matches

Match	White		Blue		Result	Time
1	Douglas NORDLUND	1	2	Lukas RISTRÖM	10 - 0	1:13
2	Stepan PAVLOV	3	4	Frans LILJENROTH	10 - 0	0:15
3	Alexander SOKOLOWSKI	5	6	Valtteri HILTULA	0 - 10	0:19
4	Douglas NORDLUND	1	3	Stepan PAVLOV	0 - 10	0:20
5	Lukas RISTRÖM	2	4	Frans LILJENROTH	0 - 1	2:00
6	Alexander SOKOLOWSKI	5	7	Ruben GÄLLMAN	0 - 10	0:21
7	Douglas NORDLUND	1	4	Frans LILJENROTH	0 - 10	0:50
8	Lukas RISTRÖM	2	3	Stepan PAVLOV	0 - 10	0:20
9	Valtteri HILTULA	6	7	Ruben GÄLLMAN	10 - 0	0:07

FINALS	PAVLOV Stepan RUS/Olympic hopes st. petersburg	10	PAVLOV 10 - 00 [0:08]
	GÄLLMAN Ruben SWE/Frövi Judo		
	HILTULA Valtteri FIN/Fudoshin rauma	11	HILTULA 10 - 00 [1:01]
	LILJENROTH Frans SWE/Frövi Judo		

12	PAVLOV Stepan 10 - 00 [1:04]	1.
----	---------------------------------	-----------

Results

Pos	Name
1	Stepan PAVLOV RUS/Olympic hopes st. petersburg
2	Valtteri HILTULA FIN/Fudoshin rauma
3	Ruben GÄLLMAN SWE/Frövi Judo
3	Frans LILJENROTH SWE/Frövi Judo

Competitors

#	Name	Club	1	2	3	4	5	Wins	Pts	Pos
1	Winston KARLSSON	SWE/Stockholms JK		0	0	10	0	1	10	4
2	Alexander GAMAR	SWE/SPIF	10		0	10	0	2	20	3
3	Daniil ERMOLENKO	RUS/Olympic hopes st. petersburg	0	10		10	10	4	40	1
4	Alvin THUNBERG	SWE/Oxelösunds JK	0	0	0		0	0	0	5
5	Nikola LABAN	SWE/Södertälje JK	1	10	0	10		3	21	2

Matches

Match	White		Blue		Result	Time
1	Alvin THUNBERG	4	5	Nikola LABAN	0 - 10	1:33
2	Winston KARLSSON	1	2	Alexander GAMAR	0 - 10	1:16
3	Daniil ERMOLENKO	3	4	Alvin THUNBERG	10 - 0	0:06
4	Winston KARLSSON	1	5	Nikola LABAN	0 - 1	2:00
5	Alexander GAMAR	2	3	Daniil ERMOLENKO	0 - 10	0:22
6	Winston KARLSSON	1	4	Alvin THUNBERG	10 - 0	
7	Daniil ERMOLENKO	3	5	Nikola LABAN	10 - 0	0:11
8	Alexander GAMAR	2	4	Alvin THUNBERG	10 - 0	
9	Winston KARLSSON	1	3	Daniil ERMOLENKO	0 - 10	0:47
10	Alexander GAMAR	2	5	Nikola LABAN	0 - 10	1:40

Results

Pos	Name
1	Daniil ERMOLENKO RUS/Olympic hopes st. petersburg
2	Nikola LABAN SWE/Södertälje JK
3	Alexander GAMAR SWE/SPIF
4	Winston KARLSSON SWE/Stockholms JK
5	Alvin THUNBERG SWE/Oxelösunds JK

Competitors

#	Name	Club	1	2	3	Wins	Pts	Pos
1	Kalle MATTSSON	SWE/Stockholms JK		10	10	2	20	1
2	Linus LILJEQUIST	SWE/Oxelösunds JK	0		0	0	0	3
3	Ilija LABAN	SWE/Södertälje JK	0	0		1	0	2

Matches

Match	White		Blue		Result	Time
1	Kalle MATTSSON	1	2	Linus LILJEQUIST	10 - 0	0:57
2	Kalle MATTSSON	1	3	Ilija LABAN	10 - 0	0:51
3	Linus LILJEQUIST	2	3	Ilija LABAN	0 - 0	3:00

Results

Pos	Name
1	Kalle MATTSSON SWE/Stockholms JK
2	Ilija LABAN SWE/Södertälje JK
3	Linus LILJEQUIST SWE/Oxelösunds JK