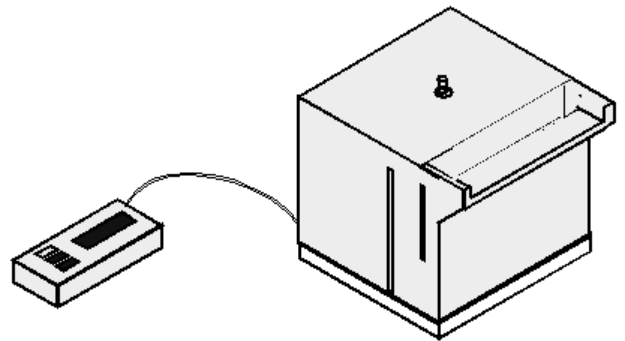


## DISPLACEMENT CALIBRATION INSTRUMENT (DCI) FOR CALIBRATION OF INFLATION UNITS

The Displacement Calibration Instrument –DCI is designed to operate at conditions equal those at air inflation test of condoms. At volume calibration, the pressure increases in the same manner as at inflation of a condom. The “bursting” volume is measured at the actual pressure and temperature of the inflated air.

The suitability of the method as well as the traceability of the instrument is validated by "SP – National Swedish Testing and Research Institute".



Certificate for traceability to national and international normal is enclosed.

The Displacement Calibration Instrument gives

- the volume in dm<sup>3</sup>,
  - the pressure in mm H<sub>2</sub>O and
  - system leakage in cm<sup>3</sup>,
- all in one operation.

### Specifications

Volume range:	0-32 dm <sup>3</sup>
Volume resolution:	0,02 dm <sup>3</sup>
Pressure range:	0-280 mm H <sub>2</sub> O
Pressure resolution:	1 mm H <sub>2</sub> O
System Leakage reading minimum:	10 cm <sup>3</sup> /min

**Art. No.: 601**

*VALENDOR reserves the right to modify this specification in part or as a whole*

## Accessories specification

### Receiver vessel

Water receiver vessel of acrylic plastic dimensions: 40 x 35 x 30 cm

### Water Pump

Pump for convenient and rapid filling of the DCI

