

TRADITIONAL OVEN RPM STATIC MONOBLOCK COOKTOP

140

The first. The best known.

FAIRING: Perfectly circular, with a maximum capacity of between 7 and 9 pizzas, both wood and gas fired. **MONOBLOCK** auto-dilating oven. Production capacity of over 100 pizza/ hour. One of our highest selling versions. The highest productivity at very low cost.

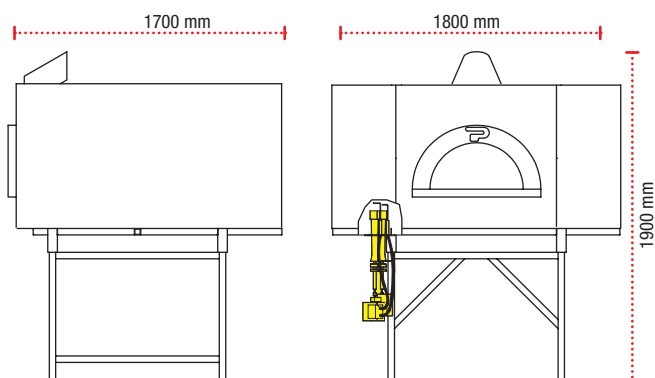
The cooktop is made in a single refractory block with a thickness of 7 cm and a weight up to 250 kg.

All the Pavese gas-fired ovens are supplied with an electronically managed gas burner.



Inside Dimentions	cm	140x135
Weight	Kg.	1250
Dome Thickness	cm	8/10
Cook Top - Cover Distance	cm	42
Cook top height from ground	cm	122
Base Insulation Thickness (Microporous Panels)	cm	15
Dome Insulation Thickness (Kaolin Blanket)	cm	10
Chimney Flue Ø	cm	20
Smokes temperature at the vent		300° - 25 g/sec (50m³/Hr)
Static pressure	Pa	12
Monoblock Cooking Plate		Burner Drago D2
Thermal Potential	Kw	min. 6 - max. 34
Thermal Potential	Kcal/h	min. 5.000 - max. 29.200
Gas Pressure Nat. Gas	mbar	min. 7/20 - max. 25/50
Gas Flow Nat. Gas	Nm³/h	min. 0,63/0,20 max. 3,59/1,22
Gas Coupling	inches	1/2
Weight	kg.	8
Electrical Power Supply	V	230 Single phase
Consumption	W	100

Because Pavese oven is hand made and assembled, slight variations in the measures of the final product are normal



RPM 140



n° 7/9