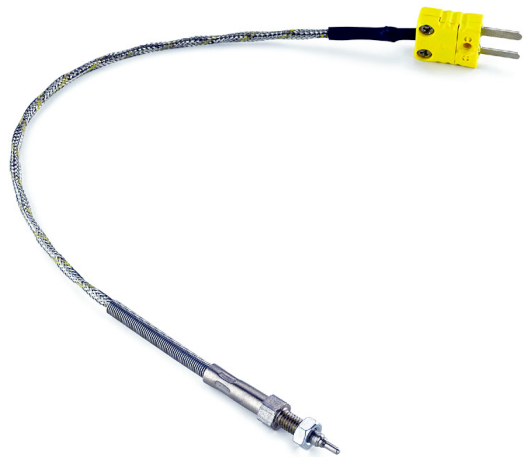


AiM Infotech

Exhaust gas thermocouple

Release 1.05

---





In this datasheet you find all needed information to use an Exhaust Gas Temperature thermocouple

This product **part number** is: **3CVGAS807**

# 1

## Introduction

---

AiM devices can measure exhaust gas temperature using a sensor – thermocouple – placed in the exhaust header pipe.

All AiM thermocouples are K type sensor.

## 2

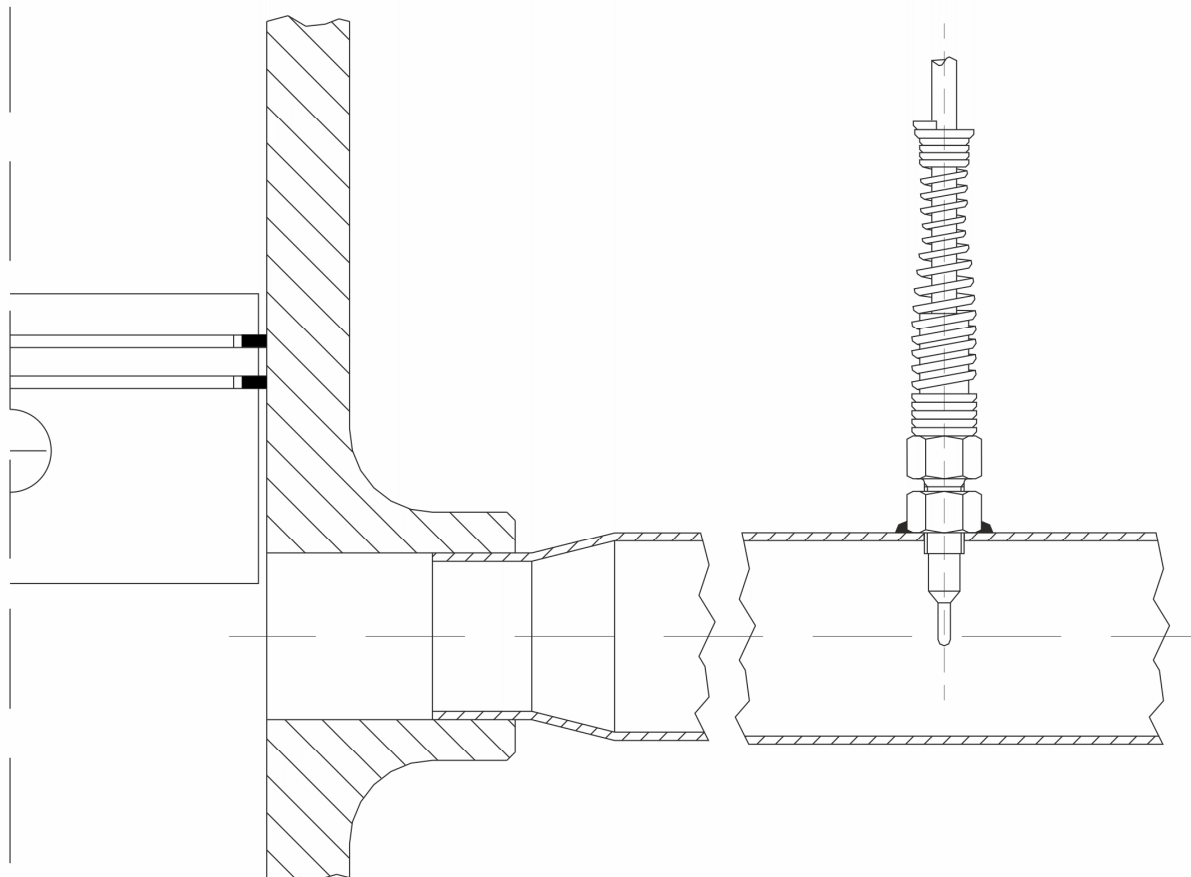
### Installation notes

---

Place the exhaust gas temperature sensor (EGT) in the header pipe at about 150 mm (5.9 inches) from the exhaust pipe. To install the sensor:

- make a 5mm hole in the header pipe at about 150mm (5.9 inches) from the exhaust pipe
- weld the sensor screw in the point where you made the hole.

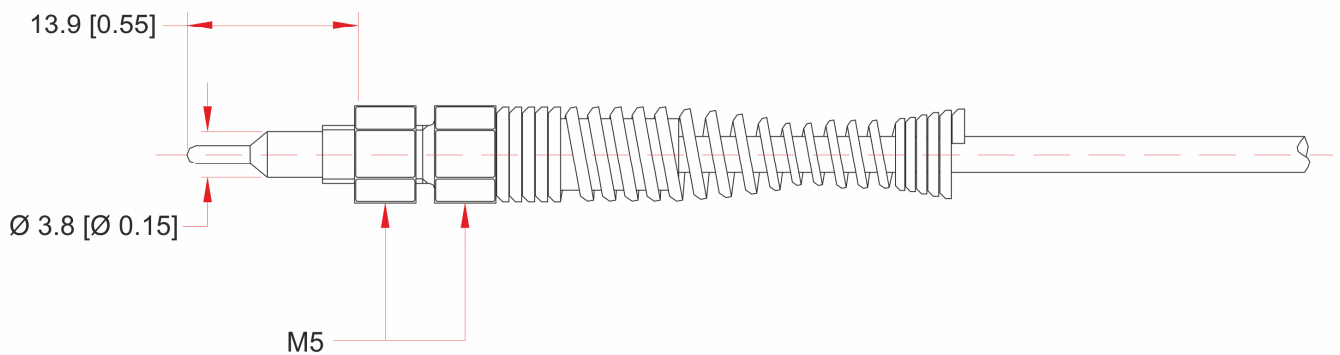
The image here below shows the sensor correctly installed.



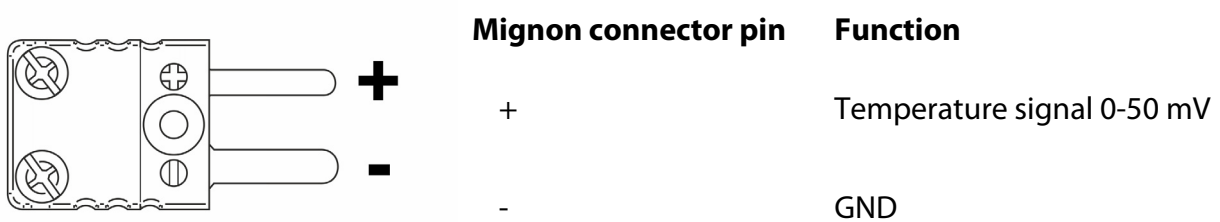
### 3

## Dimensions, pinout and technical characteristics

The drawing here below shows the thermocouple dimensions in mm [inches].



The thermocouple ends with a male Mignon connector. The image here below shows the connector pinout top side view. Right of it is the connection table.



Exhaust gas temperature sensor **technical characteristics** are:

- Temperature working range: 0-1000°C [32-1832°F]
- Cable length: 250 mm [9.8"]
- Cable type: compensated

## 4

# Extension cables

---

Exhaust gas temperature thermocouple is sold with a standard 25 cm cable and standard length extension cables are available as optional; it is also possible to ask for specific length extension cables. Extension cable part numbers change according to the cable length and to the device the sensor is to be connected to.

**Please note: all AiM devices – MXL dedicated cables excluded – need an extension cable to connect with EGT thermocouple.**

Extension cable for:

- EVO4.

Part number:

- V02PCB10MXG** – cable length: 50 cm
  - V02PCB15MXG** – cable length: 100 cm
  - V02PCB20MXG** – cable length: 150 cm
  - V02PCB25MXG** – cable length: 200 cm...
- up to
- V02PCB60MXG** – cable length: 600 cm



Extension cable for:

- MXL Strada
- MXL Pista
- MXL Pro05
- MXL2
- MXG

Part number:

- V02CCM05M** – cable length: 50 cm
  - V02CCM10M** – cable length: 100 cm
  - V02CCM15M** – cable length: 150 cm
  - V02CCM20M** – cable length: 200 cm...
- up to
- V02CCM45M** – cable length: 450 cm



Extension cable for:

- MyChron4
- TC Hub

Part number:

**V03CCB05M** – cable length: 50 cm

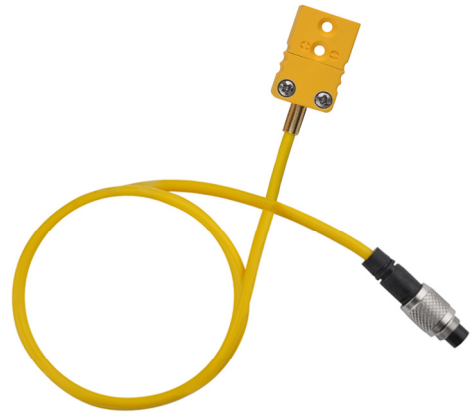
**V03CCB10M** – cable length: 100 cm

**V03CCB15M** – cable length: 150 cm

**V03CCB20M** – cable length: 200 cm...

up to

**V03CCB60M** – cable length: 600 cm

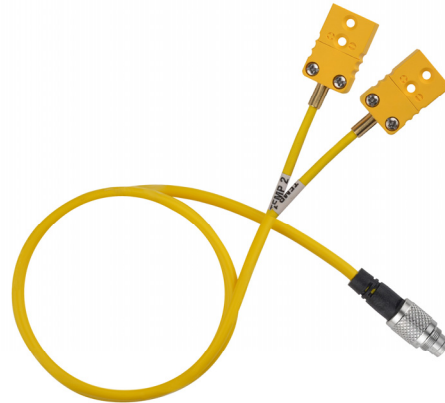


Extension cable for:

- MyChron4 2T – for wiring with two thermocouples.

Part number:

**V02.557.070**



Extension cable for:

- MyChron4 2T – for wiring with a thermocouple + a thermo resistor.

Part number:

**V02.557.110**

