



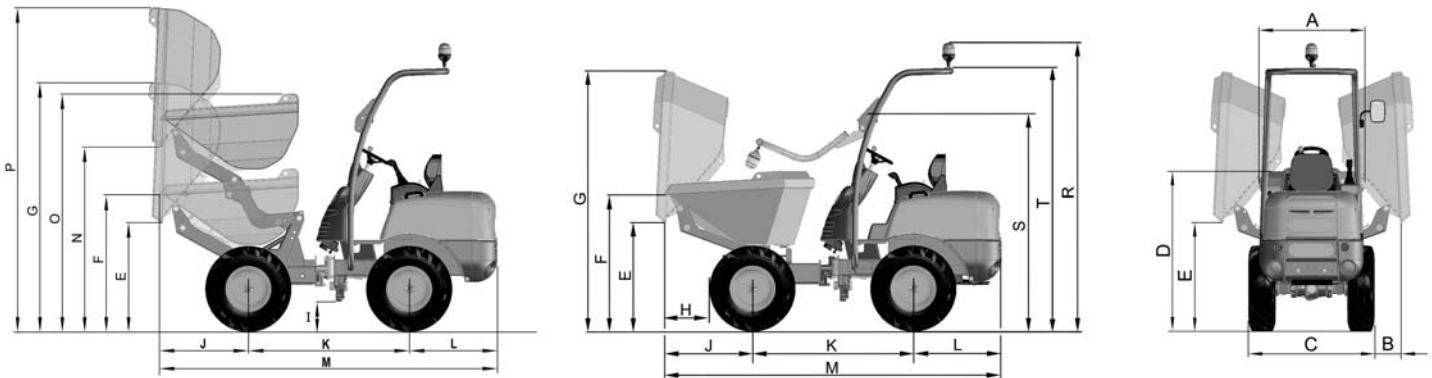
D 85 AHA
D 100 AHA
D 120 AHA
D 150 AHA

D 85 AHG
D 120 AHG
D 150 AHG



DIMENSIONS (mm)		D 85 AHA	D 100 AHA	D 120 AHA	D 150 AHA	D 85 AHG	D 120 AHG	D 150 AHG
A		990	990	1190	1400	990	1190	1391
B		-	-	-	-	350	245	100
C		1015	1215 (1125*)	1200	1450	1015	1200	1450
D		1435	1440	1485	1485	1420	1470	1500
E		930	935	980	980	970	1020	1030
F		1225	1230	1275	1275	1225	1275	1275
G		2230	2235	2280	2280	2380	2430	2525
H		495	485	440	440	490	435	435
I		215	220	265	265	215	265	275
J		822	822	822	822	804	804	820
K		1500	1500	1500	1500	1500	1500	1600
L		820	820	820	820	820	820	820
M		3142	3142	3142	3140	3124	3124	3240
N		1630	1635	1680	1680	-	-	-
O		2130	2135	2180	2180	-	-	-
P		2930	2935	2980	2980	-	-	-
R		2600	2605	2650	2650	2600	2650	2600
S		1950	1955	2000	2000	1950	2000	2015
T		2370	2375	2420	2450	2370	2420	2450

* with optional tyres



TECHNICAL SPECIFICATIONS

	D 85 AHA / D 100 AHA / D 120 AHA / D150 AHA	D 85 AHG / D 120 AHG	D 150 AHG	
Load capacity (Kg)	850 / 1000 / 1200 / 1500	850 / 1200	1500	
Unloading system	Hydraulic tipping.	Hydraulic, 180° rotating.	Hydraulic, 180° rotating.	
Chassis	Articulated +/- 35° and oscillating +/- 13°.			
Hopper capacities (l)	Water Levelled Heaped	345 / 345 / 425 / 605 395 / 395 / 515 / 681 505 / 505 / 680 / 852	325 / 415 390 / 495 510 / 670	520 626 835
Engine	Diesel Power acc./SAE J 1995 (KW/HP) N° of Cylinders Cooling system	Kubota D1105 16,8 / 22,8 3 Water	Kubota D1105 16,8 / 22,8 3 Water	Kubota D1105 16,8 / 22,8 3 Water
Traction	4 x 4 permanent			
Transmission	Hydrostatic with variable flow pump automatic regulation. Forward and reverse control on the joystick.			
Engine starting system	Electric			
Speed (max.) (Km/h)	14 / 15 / 17 / 14	14 / 17	14	
Axles	Axles with planetary wheel reduction			
Unladen weight (Kg)	1300 / 1300 / 1375 / 1510	1300 / 1375	1510	
Gradeability	43% / 38% / 48% / 40%	43% / 48%	40%	
Hydraulic circuit	Gear pump of 8 cc. Working pressure 170 bar. / 210 bar.			
Tyres	Standard Optional (D100AHA-AHG)	7.00-12" / 27x8.50-15" / 10.0/75-15.3" - / 11.0/65-12" (*) / -	7.00-12" / 10.0/75-15.3"	10.0/75-15.3" -
External turning radius (mm)	3060	3060	3260	
Steering	Hydraulic			
Tank capacity (l)	Fuel Hydraulic fluid	23 21.2	23 21.2	23 21.2
Service and parking brake	Sealed oil-immersed, multidisc, mechanically operated			

(*) Standard for UK

STANDARD EQUIPMENT

Anti vandal system
Ergonomic with safety belt
Joystick
ROPS
Rotating beacon
Rear view mirror
Audible reverse warning (Std. UK)

OPTIONAL EQUIPMENT

Great confort seat
FOPS overhead guard
Homologated lighting equipment
Metal engine canopy
Towing hitch

MKT20003.05 / 01.2012

AUSA reserves the right to make any changes in the specifications without prior notice.