



**D 600 APG**  
**D 700 AP**  
**D 1000 AP**  
**D 1000 APG**



[www.ausa.com](http://www.ausa.com)

**AUSA Center, S.L.U.** ● Ctra. de Vic, Km 2.8 - P.O.B. 194. 08243 Manresa - BARCELONA (ESPAÑA) Tel.: +34 93 874 73 11 - E-mail: [ausa@ausa.com](mailto:ausa@ausa.com)

ISO 9001

ISO 14001



(Sede central AUSA-Manresa)

**AUSA Madrid** ● Pol. Ind. Coslada - C. Marconi 15-17. 28823 Coslada - MADRID (ESPAÑA) Tel.: +34 91 669 00 06 - E-mail: [ausa.madrid@ausa.com](mailto:ausa.madrid@ausa.com)  
**AUSA France** ● Z. I. Saint Charles - Rue de Zürich, 66000 PERPIGNAN (FRANCE) Tel.: +33 (0) 4 68 54 38 97 - E-mail: [ausa.france@ausa.com](mailto:ausa.france@ausa.com)  
**AUSA Deutschland** ● Heinrich - Welken Str. 5. 59069 HAMM (GERMANY) Tel.: +49 (0) 2385-9359362 - E-mail: [ausa.deutschland@ausa.com](mailto:ausa.deutschland@ausa.com)  
**BEIJING Rep. Office** ● Address Room 527. HengXiang Building, Tuanjiehu Nanli, Chaoyang District. - BEIJING 100026 (CHINA)  
 Tel.: 86-10-8597 1983 - Fax: 86-10-8597 1993 - E-mail: [ausa.china@ausa.com](mailto:ausa.china@ausa.com)

**AUSA UK** ● Tel.: 07970639988 - E-mail: [ausa.uk@ausa.com](mailto:ausa.uk@ausa.com)

**AUSA Brasil** ● Tel.: +55 51 33622111 - E-mail: [ausa.brasil@ausa.com](mailto:ausa.brasil@ausa.com)

**AUSA Mexico** ● Gustavo Baz, 47. 53489 Naucalpan de Juarez, Edo. de México (MÉXICO) Tel.: +55 2166-9066 - E-mail: [ausa.mexico@ausa.com](mailto:ausa.mexico@ausa.com)

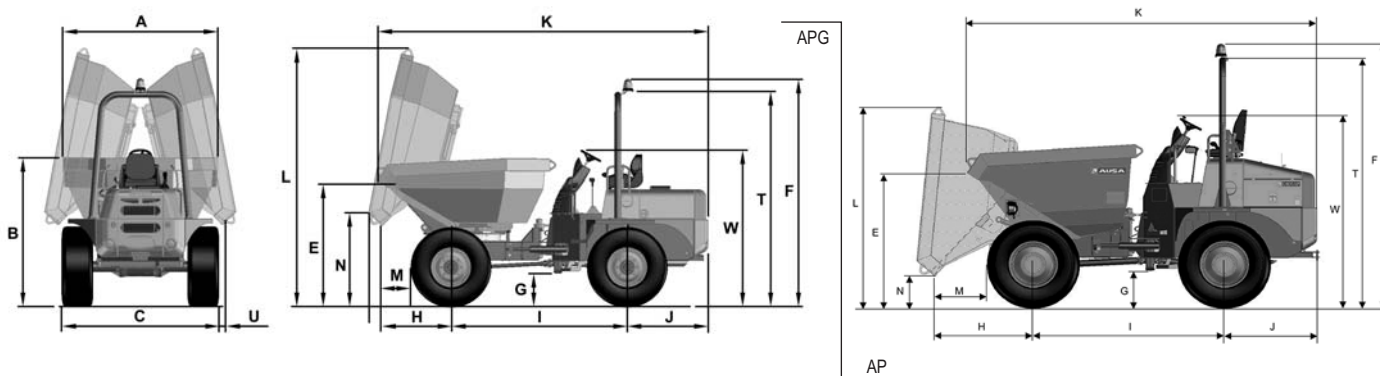


**D 600 APG** \_6.000 kg  
**D 700 AP** \_7.000 Kg  
**D 1000 AP** \_10.000 Kg  
**D 1000 APG** \_10.000 Kg



DIMENSIONS (mm)	D 600 APG	D 700 AP	D 1000 AP	D 1000 APG
A	2150	2405	2480	2480
B	2070	1960	2380	2385
C	2190	2190	2440	2440
E	1790	1730	1820	1950
F	3180	3180	3560	3560
G	475	475	490	490
H	970	970	1260	1230
I	2450	2450	2450	2450
J	1125	1125	1220	1220
K	4615	4465	4520	4990
L	3600	2680	2710	3820
M	415	650	665	630
N	1200	455	430	1100
T	3000 / 2850 (*)	3000 / 2850 (*)	3375 / 3220 (*)	3375 / 3220 (*)
U	90	-	-	110
W	2190	2190	2550	2550

(\*) Closed cabin



**TECHNICAL SPECIFICATIONS**

		D 600 APG	D 700 AP	D 1000 AP	D 1000 APG
<b>Load capacity (Kg)</b>		6000	7000	10000	10000
<b>Unloading system</b>		Hydraulic, 180° side rotating	Hydraulic, frontal		Hydraulic, 180° side rotating
<b>Chassis</b>		Articulated and oscillating			
<b>Hopper capacities (l)</b>	Water	1640	2048	2440	2491
	Levelled	2603	2827	3750	3941
	Heaped	3132	3521	5225	5944
<b>Engine</b>	Diesel / Turbodiesel (D900/D1000)	KUBOTA V3600T		KUBOTA V3800 T	
	Power acc./SAE J1995 (KW/HP)	63 / 86		72.8 / 99	
	N° of Cylinders	4			
	Cooling system	Water			
<b>Traction</b>		4 x 4 permanent			
<b>Transmission</b>		Torque converter with synchronized gear box. 4 ratios forwards and 4 ratios backwards by means of an electro-hydraulic device. Axles with planetary reduction on differential output			
<b>Engine starting system</b>		Electric			
<b>Speed (max.) (km/h)</b>		35		40	
<b>Unladen weight (Kg)</b>		4380	4200	4760	4990
<b>Gradeability</b>		60%			
<b>Hydraulic circuit</b>		Gear pump of 25 cc. Working pressure 180 bar.			
<b>Tyres</b>	Front	405/70-20" (14 PR)		500/60-22.5" (16PR")	
	Rear	405/70-20" (14 PR)		500/60-22.5" (16PR")	
<b>External turning radius</b>		5700		5950	
<b>Steering</b>		Hydraulic Working pressure 115 bar			
<b>Tank capacity (l)</b>	Fuel	70			
	Hydraulic fluid	65			
<b>Service brake</b>		Oil-immersed, multidisc, hydraulically operated			
<b>Parking brake</b>		Oil-immersed, multidisc, mechanically operated			

**STANDARD EQUIPMENT**

Ergonomic seat with safety belt
Audible reverse warning
Anti vandal system
Foldable ROPS arch
Rotating beacon

**OPTIONAL EQUIPMENT**

Closed cabin with heating
Air conditioning
Homologated lighting equipment
Towing hitch
Railway application

MKT20019.05 / 03.2012

AUSA reserves the right to make any changes in the specifications without prior notice.