



ML-2351A, ML-2351AF ML-2350A, ML-2350AF ML-2450A YAG Laser Welder

KEY FEATURES

- Pulse : 1 to 200 PPS
- Fiber diameter: SI 0.2 – 1 mm
- Environment: 5 to 30° C with humidity < 85%

- Plug and play lasers for fast system integration
- Compact design minimises space requirement
- Real time power feedback for superior output control
- Time share configuration allows operation of several Workstations for improved flexibility
- Bi-Frequency power supply for ease of use worldwide
- Flexible pulse shaping helps achieve optimum welding profiles for more challenging materials
- Integrated beam splitter with multiple laser outputs for increased throughput
- Error details, power monitor status and I/O monitoring shown on a built-in screen
- Standard safety shutter by beam switch method
- Long-life laser diodes provide high reliability and improves maintenance cost

TYPICAL APPLICATIONS



Automotive



Electronics



Automotive



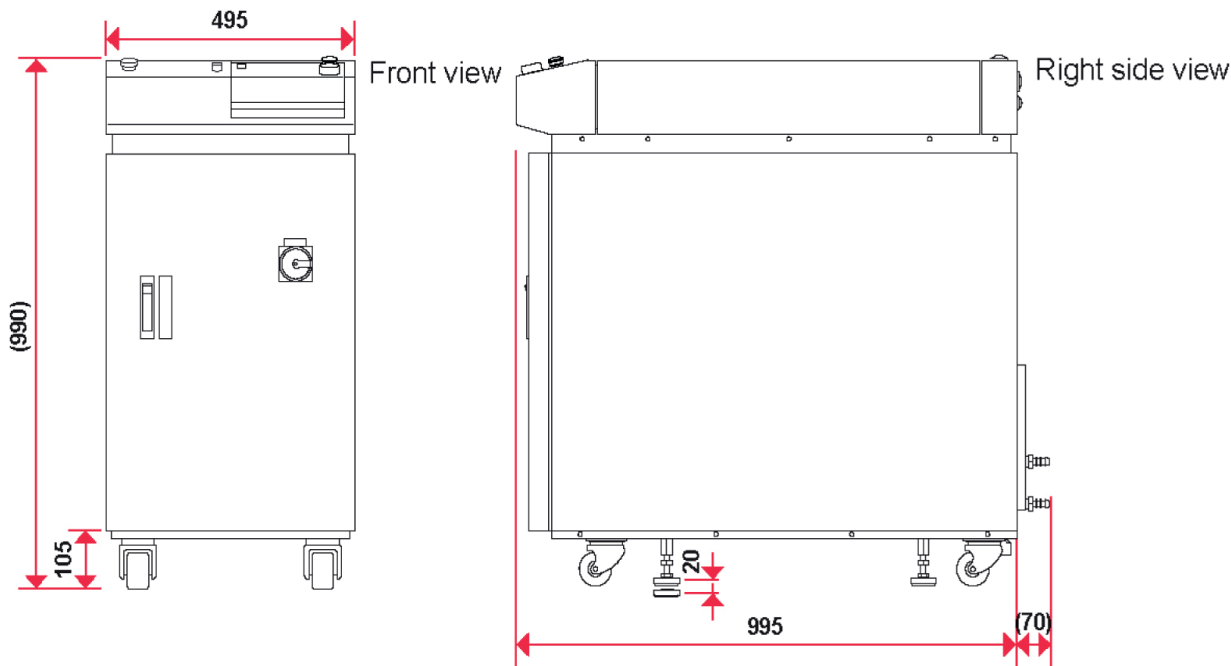
Electronics



TECHNICAL SPECIFICATIONS

Model	ML-2351A	ML-2351AF	ML-2350A	ML-2350AF	ML-2450A
Maximum rated output	50 W		70 W		150 W
Maximum output energy	50 J/P		70 J/P		70 J/P
Maximum peak power	5 kW		7 kW		7 kW
Power requirements	3-phase, 380, 400 V to AC (+/- 10%) , 50/60 Hz				
Breaker rated current	10A (400 VAC)				20A (400 VAC)
Cooler	Water - Water	Forced air cooling	Water - Water	Forced air cooling	Water - Water
Weight	240 kg	250 kg	240 kg	240 kg	240 kg
Safety class	Class 4 laser, pilot laser: Class 1				
Legal approval	CE compliant				

DRAWINGS



Lindberghstrasse 1 • DE-82178 Puchheim, Germany
 T: +49 (0) 89 83 94 030 • Fax : +49 (0) 89 839403 68
 infode@amadamiyachi.eu • www.amadamiyachieurope.com
 ISO 9001 Certified Company



EUROPE

Amada Miyachi Europe BV
 Helmond, The Netherlands
 T: +31 (0) 492 542 225
 infoeu@amadamiyachi.eu

Amada Miyachi Europe Kft.
 Budapest, Hungary
 T: +36 1 431 9927
 infohu@amadamiyachi.eu

Amada Miyachi Europe
 Derby, United Kingdom
 T: +44 (0) 1332 361 238
 infouk@amadamiyachi.eu

Amada Miyachi Europe
 Saint Germain en Laye, France
 T: +33 (0) 139 046 430
 infofr@amadamiyachi.eu

Amada Miyachi Europe
 Torino, Italy
 T: +39 011 223 83 16
 infoit@amadamiyachi.eu

Amada Miyachi Europe
 Prague-West, Czech Republic
 T: +420 251 512 157
 infocz@amadamiyachi.eu

AMERICAS

Amada Miyachi America Inc.
 Monrovia, CA, USA
 T: +1-626-303-5676
 info@amadamiyachi.com

Amada Miyachi do Brasil Ltda.
 Sao Paulo, Brasil
 T: +55-11-4193-1187
 antonio.ruiz@miyachi.com

ASIA

Amada Miyachi Co., Ltd.
 Noda, Japan
 T: +81-4-7125-6177
 sales@miyachi.com

Amada Miyachi Shanghai, Co., Ltd.
 Shanghai, China
 T: +86-21-6448-6000
 zqzhang@msc.miyachi.com

Amada Miyachi Korea Co., Ltd.
 Gyeonggi-do, Korea
 T: +82-31-8015-6810
 dykim@mkc.miyachi.com

Amada Miyachi Taiwan Co., Ltd.
 Taipei, Taiwan R.O.C.
 T: 886-2-2397-4778
 keigaku@miyachi.com

Amada Miyachi (Thailand) Co., Ltd.
 Samutprakarn, Thailand
 T: +66-2751-9337-8
 info@mtl.miyachi.com

Amada Miyachi Vietnam Co., Ltd.
 Ho Chi Minh City, Vietnam
 T: +84-8-3771-7972

Amada Miyachi India Pvt., Ltd.
 Bangalore, Karnataka
 info@miyachiindia.com

All data, images and text are subject to change at any time. Amada Miyachi Europe GmbH reserves the right to change, modify, delete and add technical specifications and product details at any time without prior notification. © 2015 Amada Miyachi Europe GmbH.

