

VF-16 LED TRAILER

Videoforce Scandinavia

// modular LED displays // video production/ broadcasting //

// sale and rental // installation// service //support //

VF-16 LED TRAILER

VF-16 LED Trailer is a mobile giant LED screen for use both outdoor and indoor. The screen has brilliant quality and very high brightness, so direct sunlight is not a problem. The LED trailer has a hydraulic lift and can be rotated 360 degree. This makes it easy to set up

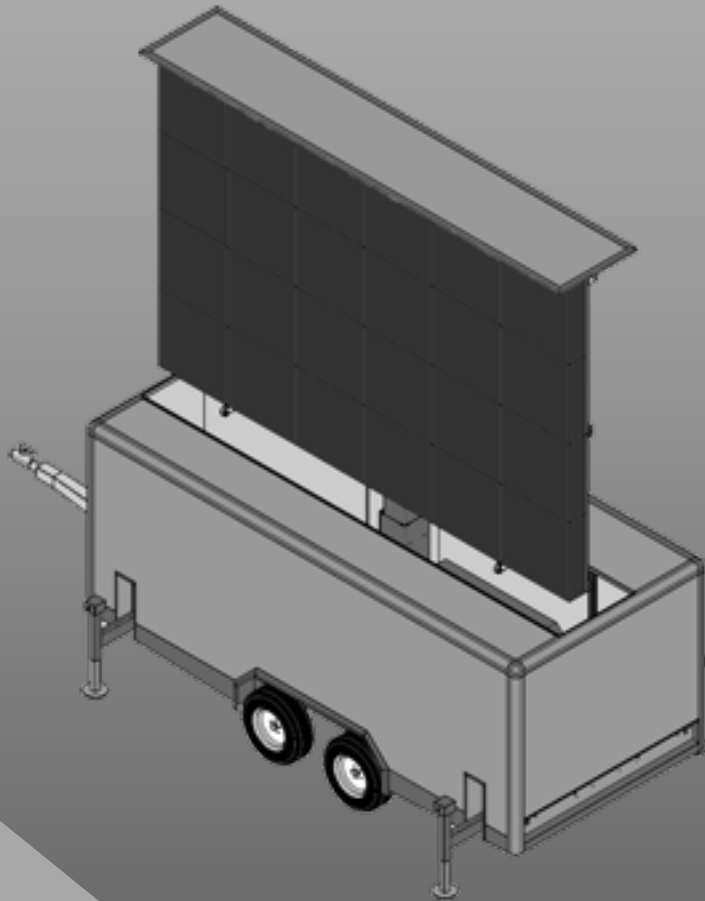
Some features:

- Mobil 16 m² (16:9) giant LED screen
- Can display live TV or video, Presentations, images and scoreboards. Sound (optional)
- Possibility to connect PC, Playstation, X-box etc
- Possibility for live streaming
- Possibility for 3D presentations
- Height from ground to top of screen is 6m



VF-16 LED TRAILER

Technical information



LED trailer:

- Height: 2350 mm
- Width: 2300 mm
- Length: 5275 mm
- Weight: approx 2900 kg
- Top of screen: 6000 mm

Screen:

- Video input: SDI, DVI, VGA, Component, Composit
- Size: 5,1 m x 3,1 m (16 m²)
- Format: 16:9
- Pixel size: 16 mm / 8 mm virtuell
- LED's: Nichia 1R, 2PG, 1B
- Minimum viewing distance: 12 m
- Operating temperature: -30°C - +50°C
- Brightness: Calibrated: 10 500 NITS, max: 15 000 NITS
- Voltage: 380 V (+20% - 60%)
- Power consumption:
 - Per m²: max 1,33 kW, average 0,3 kW
 - Total: max 21 kW, average 4,7 kW
- Certification: CE + TUV

For more information:

VIDEOFORCE SCANDINAVIA

Hästhovsvägen 9

585 64 Lingham

+46 8 6401150

info@videoforce.se | www.videoforce.se

VIDEOFORCE ESTONIA

Pargi 25a

11620 Tallinn

ESTONIA

info@videoforce.eu | www.videoforce.no

VIDEOFORCE NORWAY

Orstadveien 132C

N-4353 KLEPP STASJON

+47 995 28 900

post@videoforce.no | www.videoforce.no