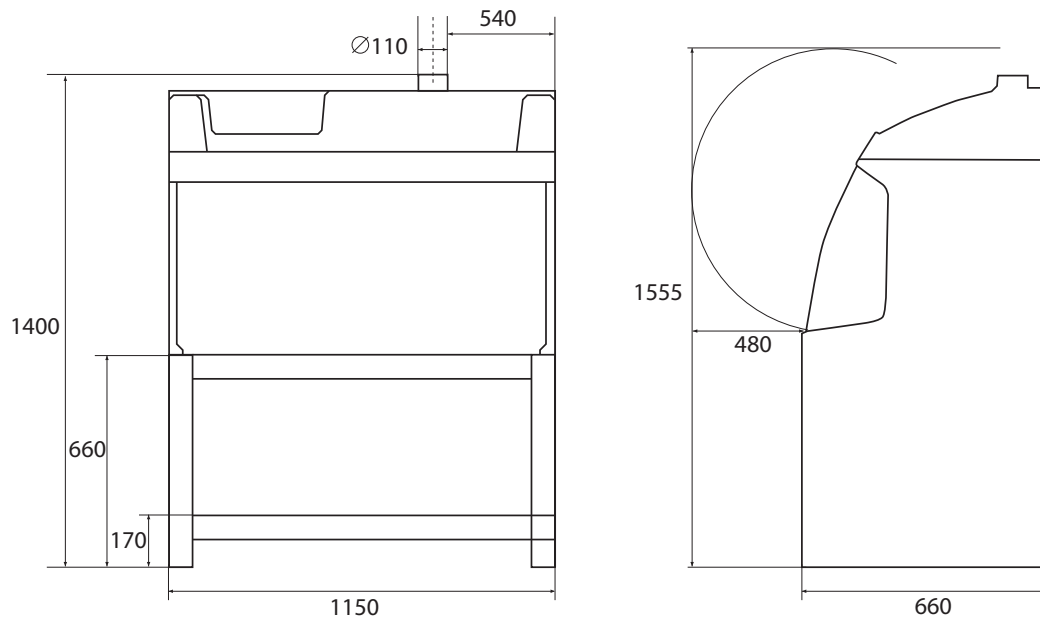
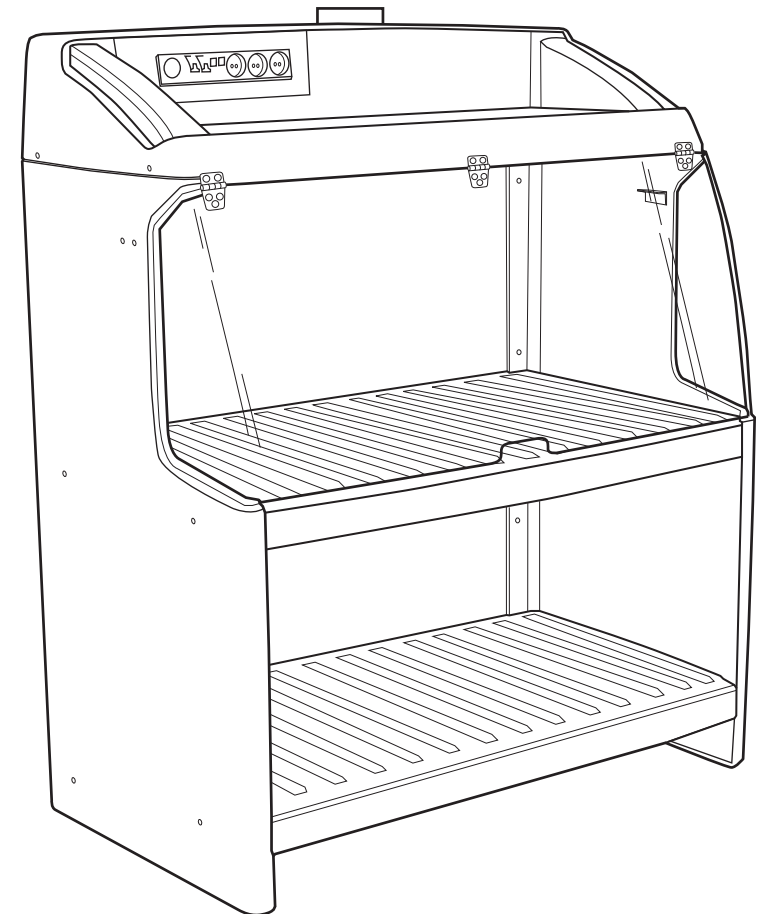


Technical specifications

Measurements, charging-space (LxBxH)	108 x 55 x 45 cm
Voltage	230V AC
Fan capacity	44 l/s - 160 m3/h
Material	Glass fibre reinforced polyester (V0)
Colour	grey
Weight	47 kg
Warranty	1 year



Battery charging box - user's manual



Plastic Technology Composites AB
Dalgatan 6, 934 32 Kåge, Sweden
Tel. +46 910-71 13 90 | info@ptc.nu
www.ptc.nu | www.redblack.se



Construction

The box is constructed to fulfil high standards for safe charging of lead batteries:

- Two shelves and an upper part with electronics and charging equipment.
- The upper shelf, which acts as the actual charging-space, is well-vented and protected by a transparent hatch.
- The lower shelf acts as storage space for charged and uncharged batteries.
- A micro-switch is controlled by the hatch. The charging process is interrupted automatically if the hatch is opened.
- The shelves are designed like troughs and collect any potentially overflowing battery acid.
- The box is made of glass fibre reinforced plastic and any material that might get into contact with battery acid is acid resistant.
- The glass fibre reinforced plastic is self-extinguishing.
- It is easy to connect any type of battery charger either by placing it on the box or mounting it on a wall.
- The battery box is delivered unassembled in strong, corrugated cardboard. For assembly, see the attached instructions.
- All electrical components are connected, all you have to do is to connect the box to an outlet (one-phase).
- Adjustable feet in every corner.

Marking-sign



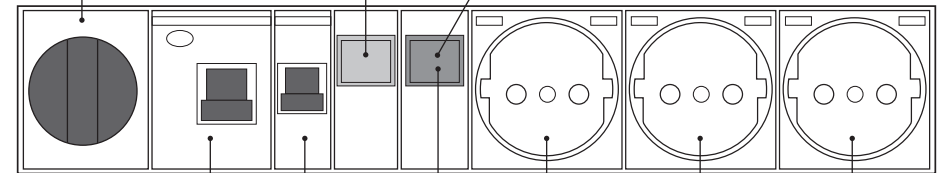
Tillverkare/Manufacturer	StegoPlast Composite AB
Typ/Type	RedBlack.se
Tillverkningsår/Year	
Serienr/Serial No.	
Spänning/Voltage	230V AC
Effekt laddare/Output chargers	1350W

Operation

The power is turned on by flipping the master switch (S1).

When the power is turned on the green signal light (IND1). At the same time the internal axial-fan is turned on.

To charge one or multiple batteries you open the hatch (the red signal light turns off) and connect the cables to the batteries which are to be charged. When the hatch is closed the red signal light will turn on and the charging process will start.



Residual-current circuit breaker

Automatic fuse

When the hatch is closed the red signal light (IND2) will be on and the three outlets (C1, C2 and C3) will be providing power. Power for the battery charger (one to three chargers can be used at once) is supplied through the three outlets. The control lights on the battery charger display the battery's charging status.

Safety

Batteries can only be charged if the hatch is closed and the fan is turned on. It is only possible to connect or disconnect battery charging clamps when the safety hatch is open and the battery charger is turned off. The micro-switch makes sure that it is impossible to charge while the hatch is open. Therefore, there is no risk of sparks when connecting or disconnecting the charging cables.

The automatic fuse protects from any potential short-circuiting. The residual-current circuit breaker protects from damage in case of power issues.

The charging box is tested and approved by Intertek Semko AB for S and CE marking.

This product is not intended for used by individuals (including children) with reduced physical, sensory or mental abilities nor by people with lacking experience and knowledge unless supervised and instructed by an individual responsible for their safety. Children are not to play with the product.