

# T3A132M-4 7,5KW 400/690V B3/B5

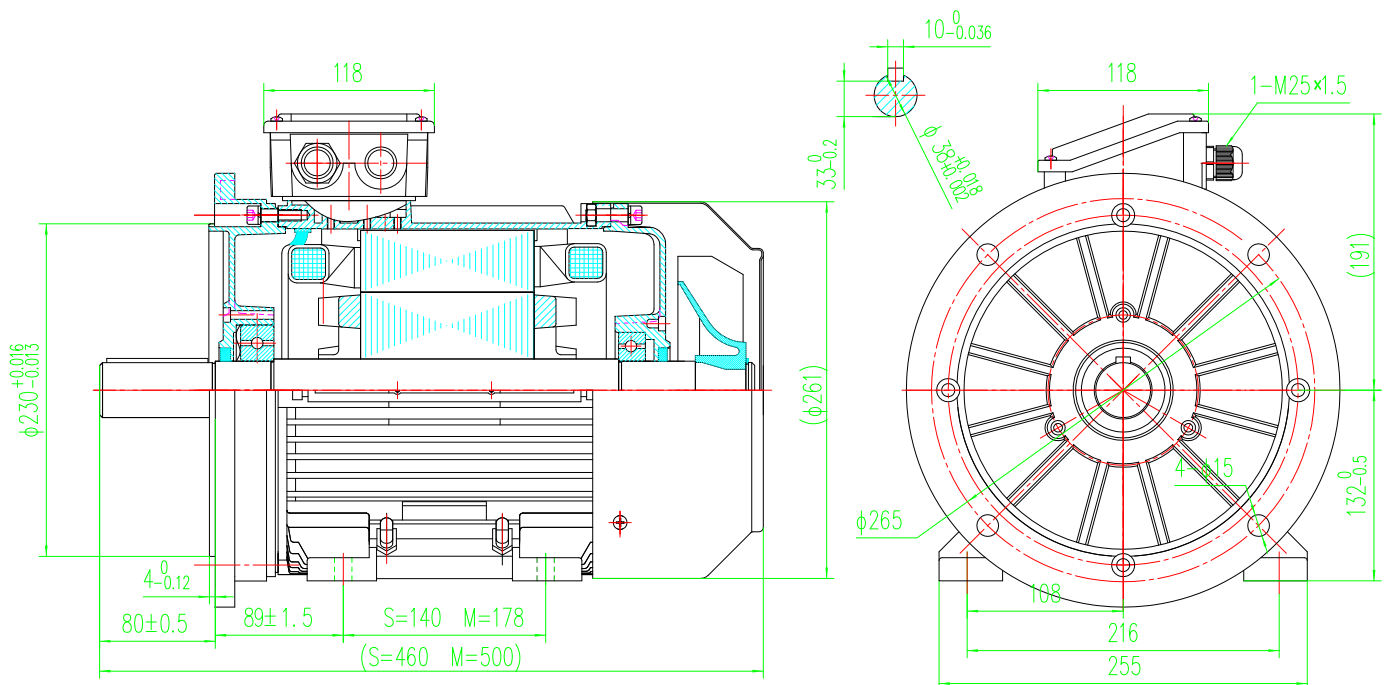
## Three-phase asynchronous motor in aluminium

Motor type T3A132M-4 7,5KW 400/690V B3/B5  
 Brand BUSCK  
 Item number 93041334

Voltage V	Power kW	Frequency Hz	Current A	Speed rpm
400	7,5	50	14,1	1460
690	7,5	50	8,11	1460
460	8,63	60	14,1	1752

Duty S1  
 Enclosure IP55  
 Insulation class F  
 Cooling IC411 (TEFC)  
 Max. ambient temp. 40°C  
 Min. ambient temp. -20°C  
 Max. temp. rise 80 K  
 Torque, Nm 49,1  
 Starting torque ratio 2,9  
 Pull up torque ratio 1,53  
 Pull out torque ratio 5,15  
 Starting current ratio 8,7  
 Balance grade Normal  
 Inertia kgm<sup>2</sup> 0,0191  
 Winding protection Thermocontacts

Efficiency class IE3  
 Efficiency, load 100% 90,5  
 Efficiency, load 75% 91,3  
 Efficiency, load 50% 91  
 Power fact, load 100% 0,84  
 Painting Standard  
 Color RAL 9005  
 Weight kg 53  
 Sound level dB(A) 80  
 Bearing DE 6308-2Z  
 Bearing NDE 6208-2Z  
 Cable entries 2xM25, 1xM16



**BUSCK**

Busck & Co AB  
 Gamla Riksvägen 14  
 428 32 Göteborg  
 Sweden  
 info@busck.se  
 www.busck.se

Busck & Co ApS  
 Postboks 108  
 0900 København C  
 Denmark  
 info@busckco.dk

Busck AS  
 Postboks 346  
 N-1401 Ski  
 Norway  
 info@busck.no