

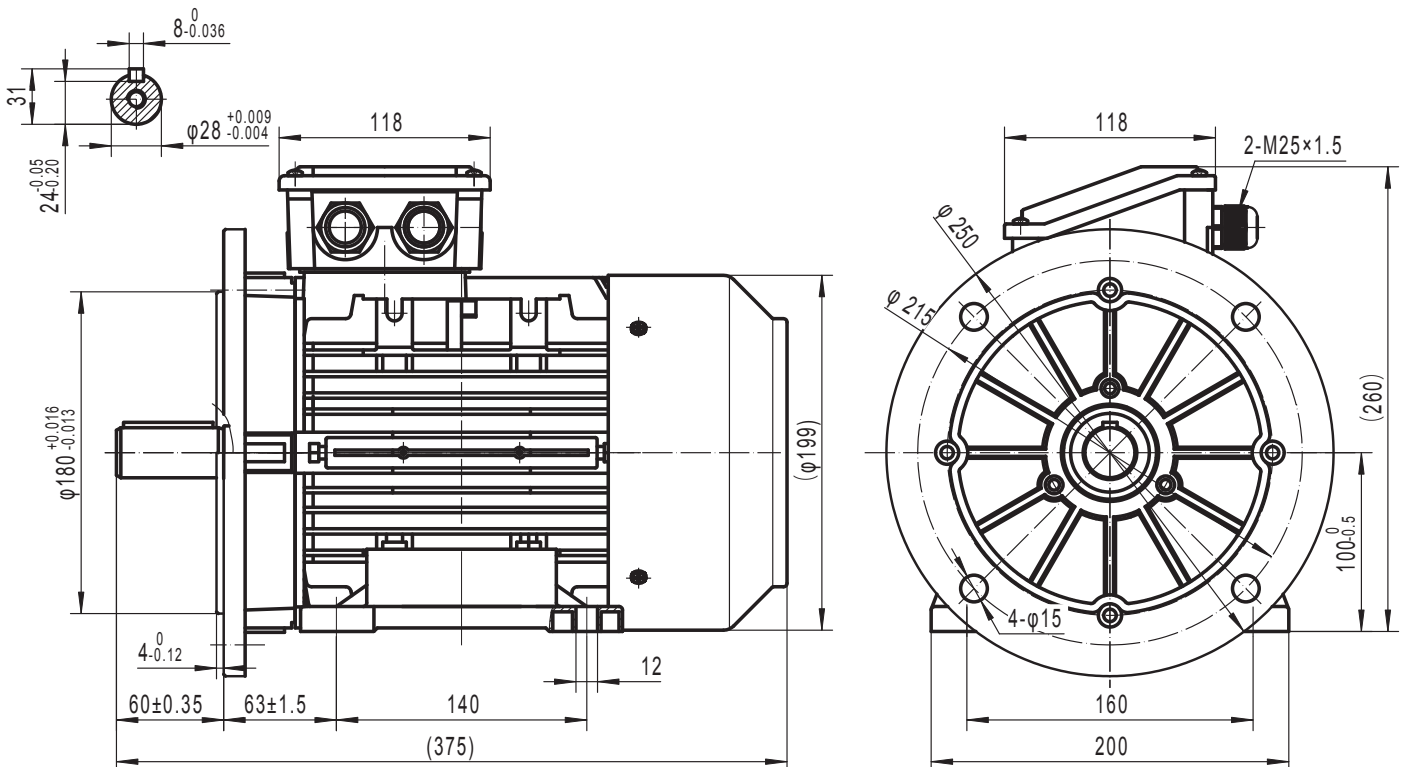
# T3A100LA-4 2,2KW 230/400V B35

## Three-phase asynchronous motor in aluminium

Motor type T3A100LA-4 2,2KW 230/400V B35  
 Brand BUSCK  
 Item number 93041004

Voltage V	Power kW	Frequency Hz	Current A	Speed rpm
230	2,2	50	7,95	1450
400	2,2	50	4,57	1450
460	2,53	60	4,57	1740

Duty	S1	Efficiency class	IE3
Enclosure	IP55	Efficiency, load 100%	86,7
Insulation class	F	Efficiency, load 75%	87,1
Cooling	IC411 (TEFC)	Efficiency, load 50%	86,2
Max. ambient temp.	40°C	Power fact, load 100%	0,80
Min. ambient temp.	-20°C	Painting	Standard
Max. temp. rise	80 K	Color	RAL 9005
Max altitude, masl	1000	Weight kg	23
Torque, Nm	14,49	Sound pressure Lp dB(A)	64
Starting torque ratio	2,8	Bearing DE	6206-2Z
Pull up torque ratio	2,3	Bearing NDE	6206-2Z
Pull out torque ratio	3,3	Cable entries	1xM20, 1xM16
Starting current ratio	7,9		
Balance grade	Normal		
Inertia kgm2	0,008754		
Winding protection	Thermocontacts		



**BUSCK**  
[www.busck.eu](http://www.busck.eu)

Busck & Co AB  
 Gamla Riksvägen 14  
 428 32 Göteborg  
 Sweden  
 556027-1990  
[info@busck.se](mailto:info@busck.se)

Busck & Co ApS  
 Postboks 108  
 0900 København C  
 Denmark  
[info@busck.eu](mailto:info@busck.eu)

Busck AS  
 Skibåsen 35C  
 4636 Kristiansand  
 Norway  
[info@busck.no](mailto:info@busck.no)