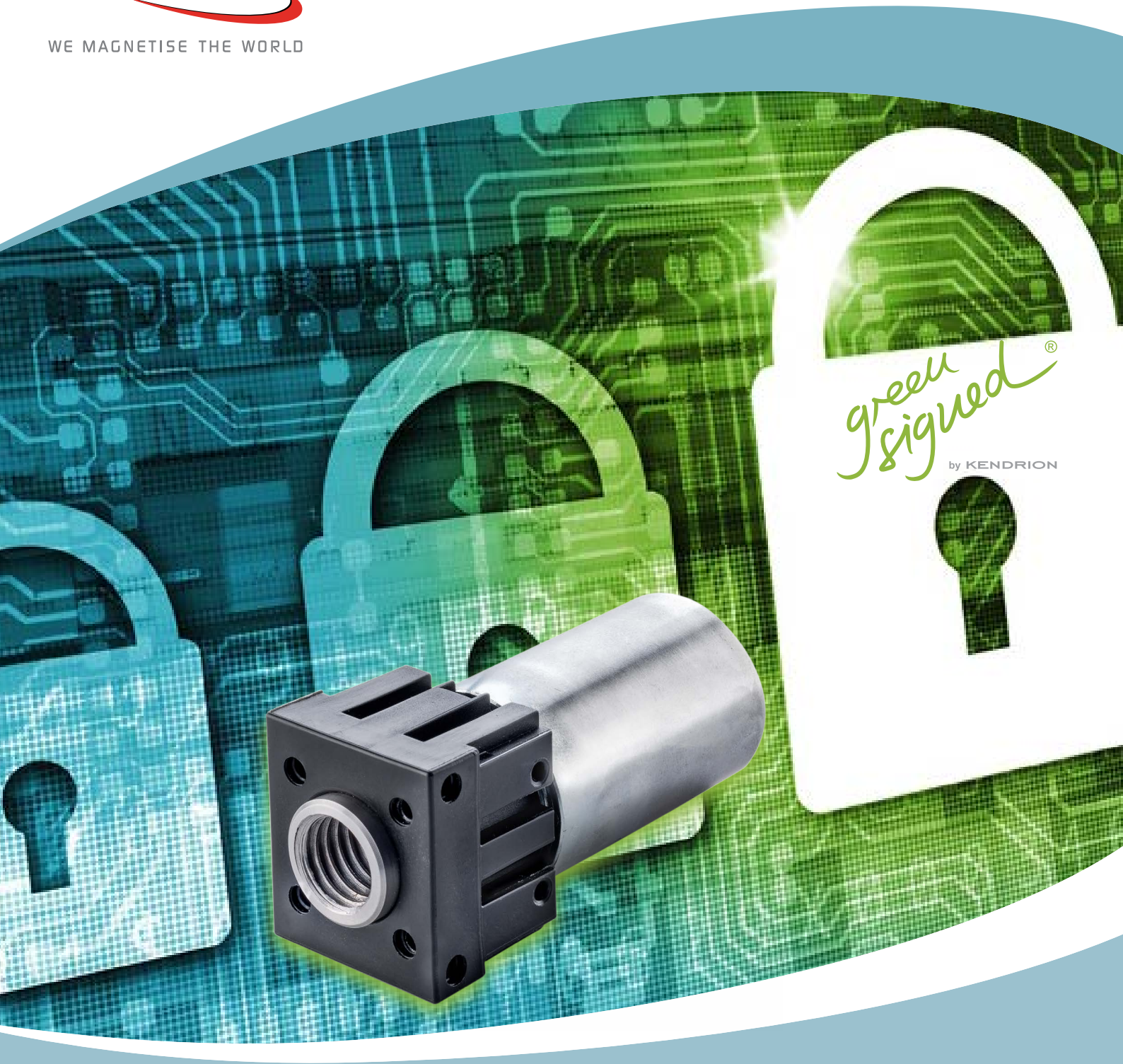




WE MAGNETISE THE WORLD



## The Mobile Locking Solenoid LLB by Kendrion

Flexible, compact and reliable



INDUSTRIAL MAGNETIC SYSTEMS

BINDER

## The Plug & Play Locking solenoid

*The new locking solenoid excels by compact design and high reliability.*

Kendrion developed the new electromagnetic locking especially for applications to be used at alternating locations and therefore as self-sufficient as possible. The complete locking unit is based on a bistable electromagnet which can be operated both by power supply and by battery.

The locking bolt is kept in open position by the force of a permanent magnet.

When a current is applied the magnet is triggered and locks by extending the bolt (stroke of 7 mm).

The bolt can withstand **lateral forces of 1,000 N** at a service life of at least **80,000 switching operations**.

Moreover, sensors for end position detection can further increase safety.

### Green Signed - Label due to environmentally-friendly solenoid design

Due to the bistable design of the solenoid and depending on the application up to 95% of energy can be saved as energy is only used for the switching operations.



Trolley



Elevator car



Safe Locking



RFID

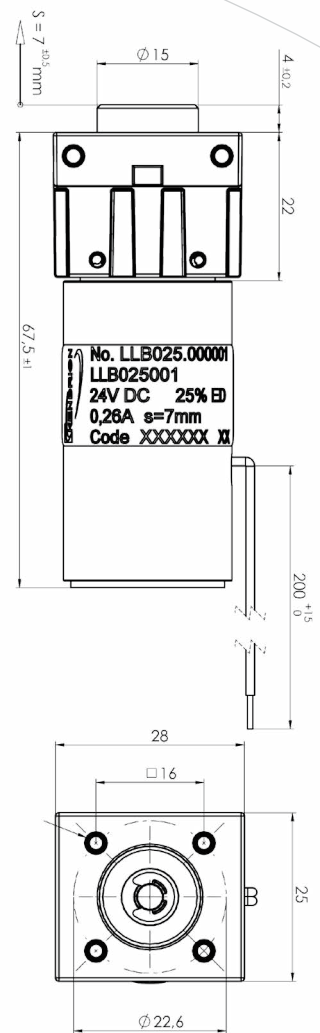


### The advantages of LLB at a glance

- high energy efficiency
  - no power consumption in idle state
  - 25,000 switches with one 9V compound battery
- tamper-proof against external magnetic fields
- individual retrofit of locking feasible
- combination with RFID-technology possible

You can order the new Kendrion locking system LLB 025 in this design AS OF NOW:

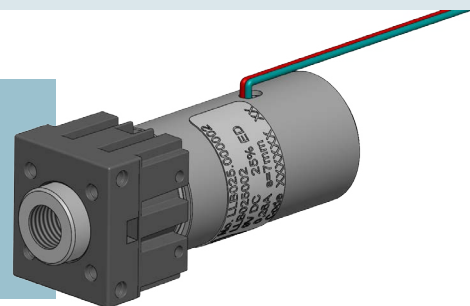
Dimensions	71.5 x 25 x 28 mm
Stroke	7 mm
Supply voltages	from 6 to 50 V DC (optional lithium battery 6 AM6 9V/1200mA)
Model	Bistable (change of position by pole reversal) Front side or lateral installation: 4xM3
Duty cycle (%)	25 %
Power (W)	6,4 W
Protection class	IP40
Holding force	50 N (permanent magnetic)
Lateral force on bolt	1,000N front side installation, lateral installation 500N (locking/unlocking only frictionless)
Position detection (optional)	hall sensor (Minus switching, 5 - 30 V, max. 30 mA)



### Customization options

- torsion-proof locking bolt possible
- emergency unlocking mechanism possible
- retrofit of the position detection (hall sensors)
- electrical connection configurable
- **shotbolt function as an option:** snap function with 45°-incline above torsion-proof locking bolt → unit can be moved into position "locked" without power supply (current pulse only for the unlocking operation)

*Due to its modular design we can adapt the LLB fast and ideally to your requirements.*





WE MAGNETISE THE WORLD

Kendrion (Donaueschingen/Engelswies) GmbH  
Fred-Hahn-Straße 33  
72514 Inzigkofen-Engelswies  
Germany  
Tel: +49 7575 208-0  
Fax +49 7575 8009-3190  
sales-ims@kendrion.com  
[www.kendrion.com/industrial/ims/en/](http://www.kendrion.com/industrial/ims/en/)