

**Embarqued applications**  
**M-Door design**  
**Vandal proof mounting**  
**Backlit power supply indicators**  
**Square or round presentations**  
**Large choice of colours**

**Standards :**

NF C 61-314, CEI 60884-1  
EN 50124  
EN 50155, EN 50121-3-2  
EN 61373, EN 60068  
NF F 16-101/102



French Standard (NF C 61-314)  
German Standard (DIN 49440-1)



## Mechanical characteristics :

Front or rear mounting  
Cable connecting by screws and brackets: 3 x 2 2.5mm<sup>2</sup>  
IP 40 (front) IP20 (rear)  
Vandal proof design  
According to fire / smoke standards  
50 000 actuations

## Electrical characteristics :

250V/16A  
Voltage display: bright

## Options :

Lighting (white, red, green, blue...)  
Front bezels (round or square, plastic or metal, numerous colours)  
Protected sockets (ex: informatics)  
Reinforced water proof - IP66 (only french versions)  
Marking



## M- Door Design

Interchangeable bezels  
Round or square  
Plastic or metallic  
Numerous colours



*M- Door Range . Indicators and pushbuttons*

## Backlit voltage display

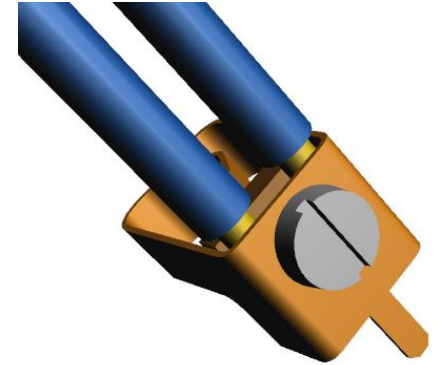
This is the circular area situated around the cavity which is backlit by leds when the base is powered.

The backlighting remains visible when the male connector is inserted.



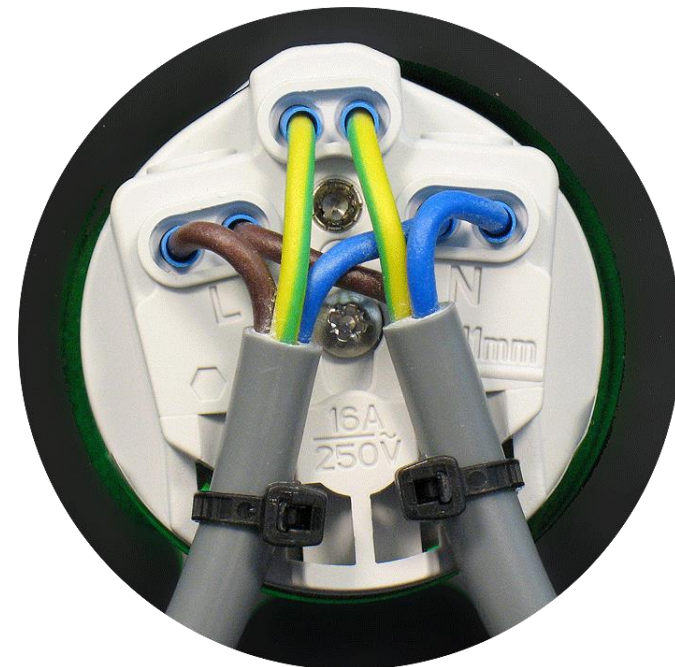
## Electrical connecting

2 x 2,5mm<sup>2</sup> flexible or stiff



## Cabling

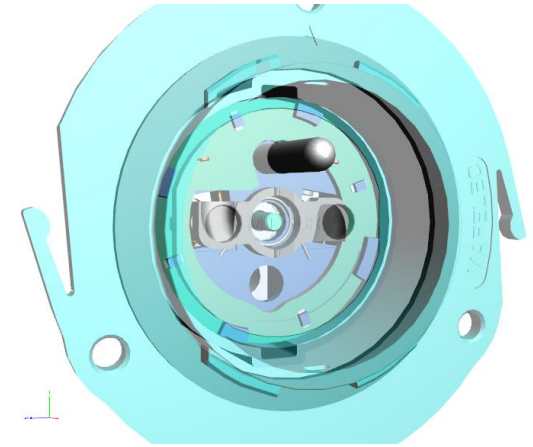
To limit risks of connecting loosening due to vibrations, the cables can be directly fixed to the socket.



## Protection against the introduction of objects in the holes.

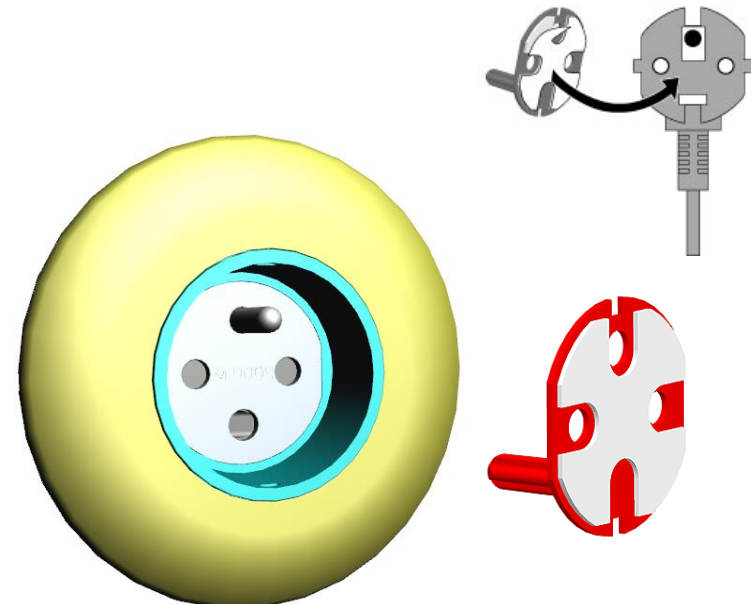
This device is usually called "eclipses" or "child protection".

The movement of the shutter system is only possible by introducing a male connector into the base. This prevents inserting small sharp objects (pens, screwdrivers, paper clips, childrens fingers) in the holes.



## Safety mis-connection for Safety sockets

Bases can be equipped with a safety mis-connection device. In that case, a part is fixed into the male plug. Is the pin of this part that activates the opening of shutters.



## Sealing

### Front IP40 :

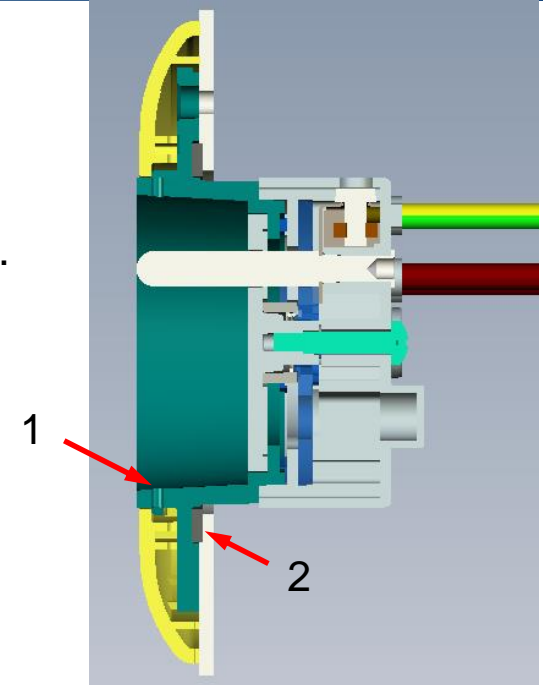
Protected against the introduction of the thread of  $\text{Ø}1\text{mm} \times 100\text{ mm}$ .  
 For the French sockets, a slope of  $3^\circ$  edges of the housing allows the evacuation of liquids. (1)

A flat joint ensures the sealing in front. (2)

### Rear IP20 :

Finger protected

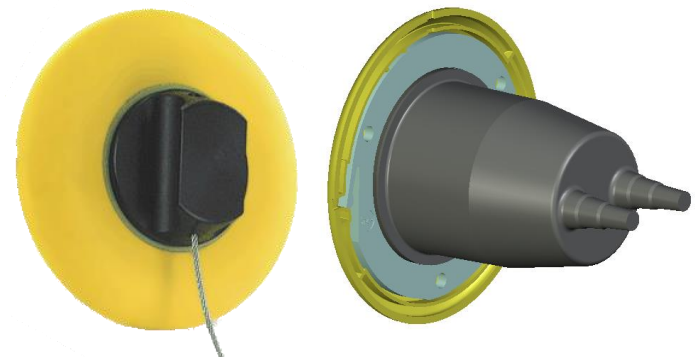
Optional, a hood comes to cover the rear part to increase the sealing in case of streaming mattering along the wall.



## Strengthened water proof front or/and rear IP66:

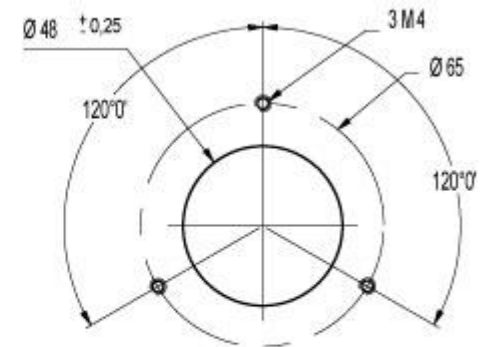
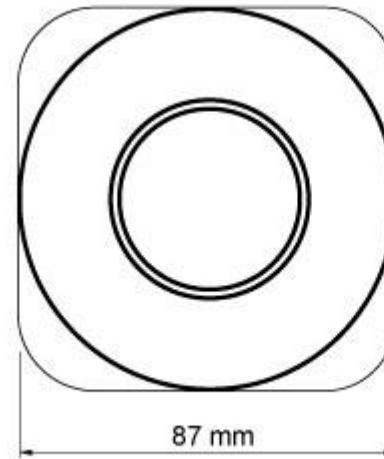
Front : sealing cork (French versions)

Back : Protection rubber



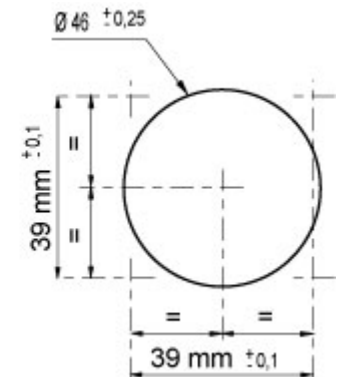
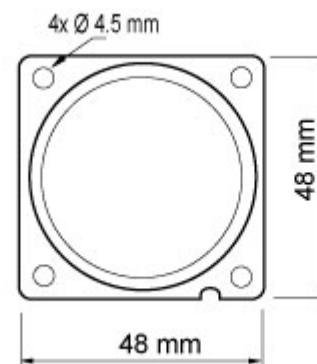
## Dimensions

Front mounting



No square edges on cuts

Rear mounting

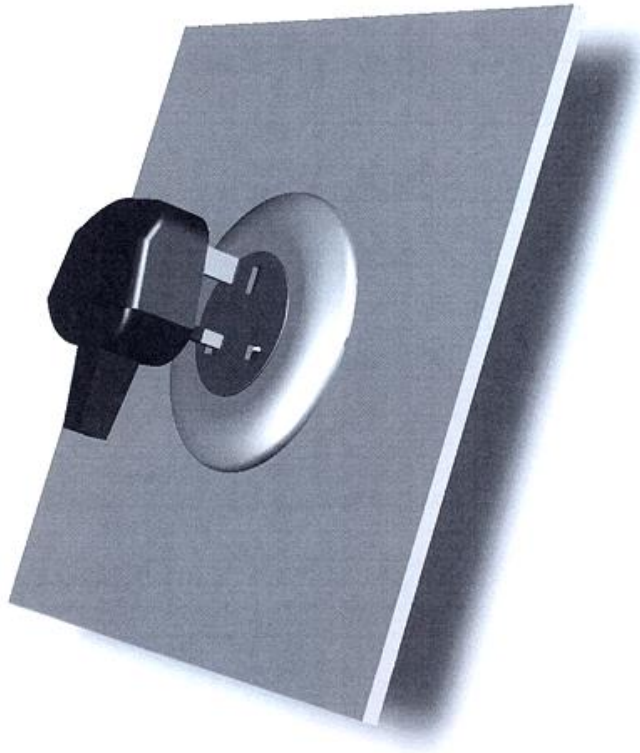




## Current projects

Standard UK Sockets for EUROSTAR trains

Standards:  
BS6853 , BS6313



## Current projects

Network socket

