

# Modernizing High-pressure washing of wire screens

In the wet process hardboard plant

- Capacity increase
- Cost savings
- Product quality
- Availability
- Environment

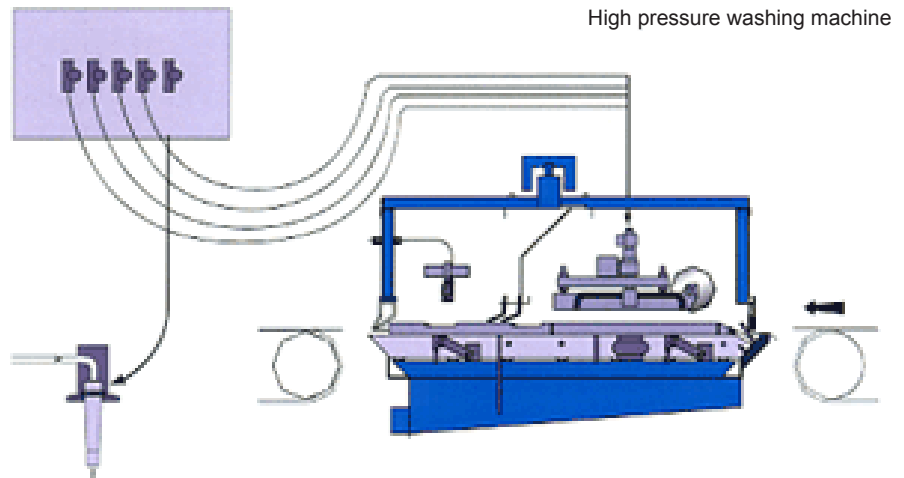


## SIGMA SERVICE AB

### Main features of the high-pressure washing systems

as follows:

- Plates and screens are cleaned during a normal operation, improved working environment
- Cleaner screens improve production and board quality
- Saves manpower in cleaning
- Reduces the risk of board being stuck to the wire screens
- The pump can be used for high-pressure washing of press parts and wires on the wet forming machine



mailbox@sigma-mecer.com  
www.sigma-gruppen.com