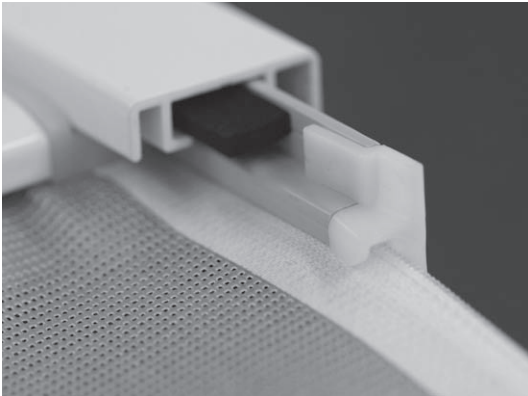




VENTOSOL VS5200

Vertical awning with zip system

VS5200



	min. 75 cm *max. 500 cm		min. 50 cm *max. 500 cm
--	----------------------------	--	----------------------------



with gearbox: max. cover area 8 m²
max. width / height 400 cm

Description

Extruded box profile 120.5 mm high and 126 mm wide, slightly rounded. The side caps are made of aluminium cast alloy. Roller tube 78 mm or 85 mm galvanized steel profile.
Manual gearbox (reduction ratio 4:1) with end stop or with total area > 8 m² or at a height > 4000 mm through a 230V/50Hz AC tubular motor with friction brake and electronic end position switch-off. Opposed bearing made of aluminium cast alloy matching the side cap.
The aluminium extruded front rail (24 x 40 mm) is fitted with continuous flat steel as additional weight. All aluminium profiles and aluminium cast parts are powder-coated. Polyester, PVC or acrylic covers from the STOBAG-Collection.

By surface mount and with the dimensions of 2200 x 2000 mm, stable at a wind speed of 120 km/h (wind canal test).

VS5200/1 Wall fixing

Attached to wall via plastic clip system or aluminium fixing brackets.

The side-assembled U-shaped guide rails (aluminium extruded profiles 41 x 34 mm) have an integrated groove for accepting clips or fixing brackets and are fitted with the plastic SIR-System™ (Soft Integrated Retaining System).

VS5200/2 Soffit fixing

Fixed in the soffit via the guide rails.

The side-assembled U-shaped guide rails (aluminium extruded profiles 33 x 34 mm) are exclusively designed for soffit installation. Two plastic profile guides are positioned on each rail for ease of movement and securing of the SIR-Systems™ (Soft Integrated Retaining System).

METHOD OF DELIVERY

With box profile: Completely assembled awning with rolled up cover and guide rails supplied separately.



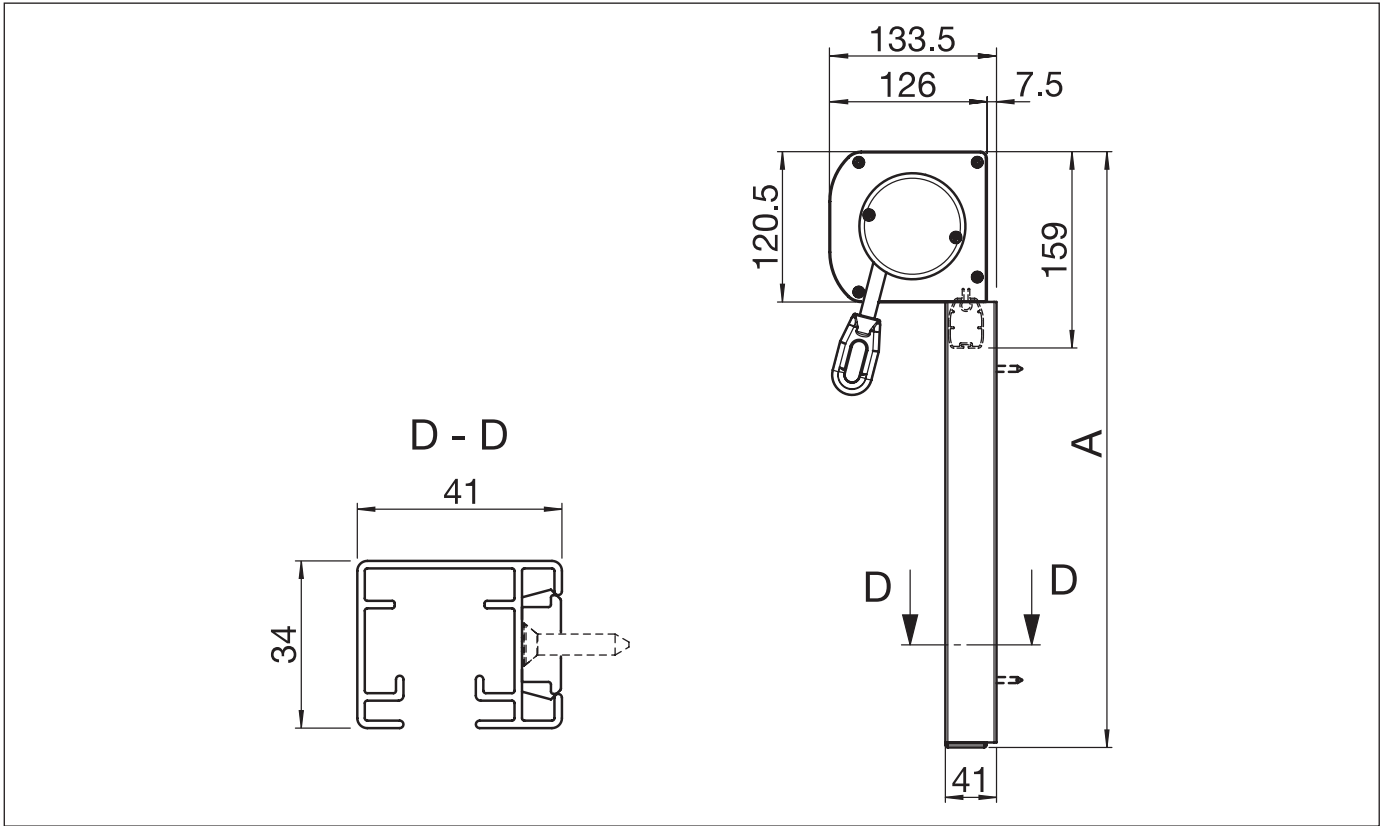


VENTOSOL VS5200

Vertical awning with zip system

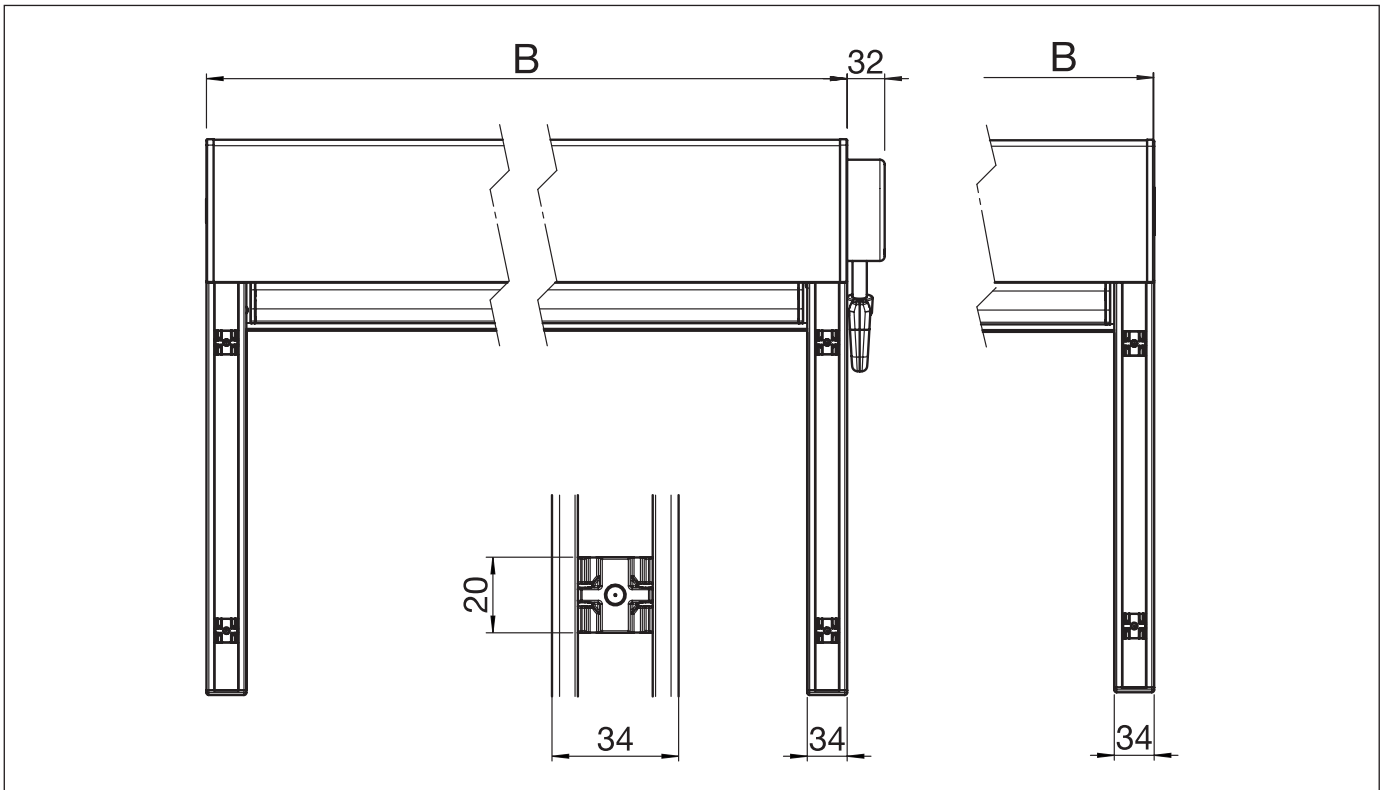
VS5200/1

Wall fixing with clip system



VS5200/1

Installation drawing with clip system



A = Total height

B = Total width

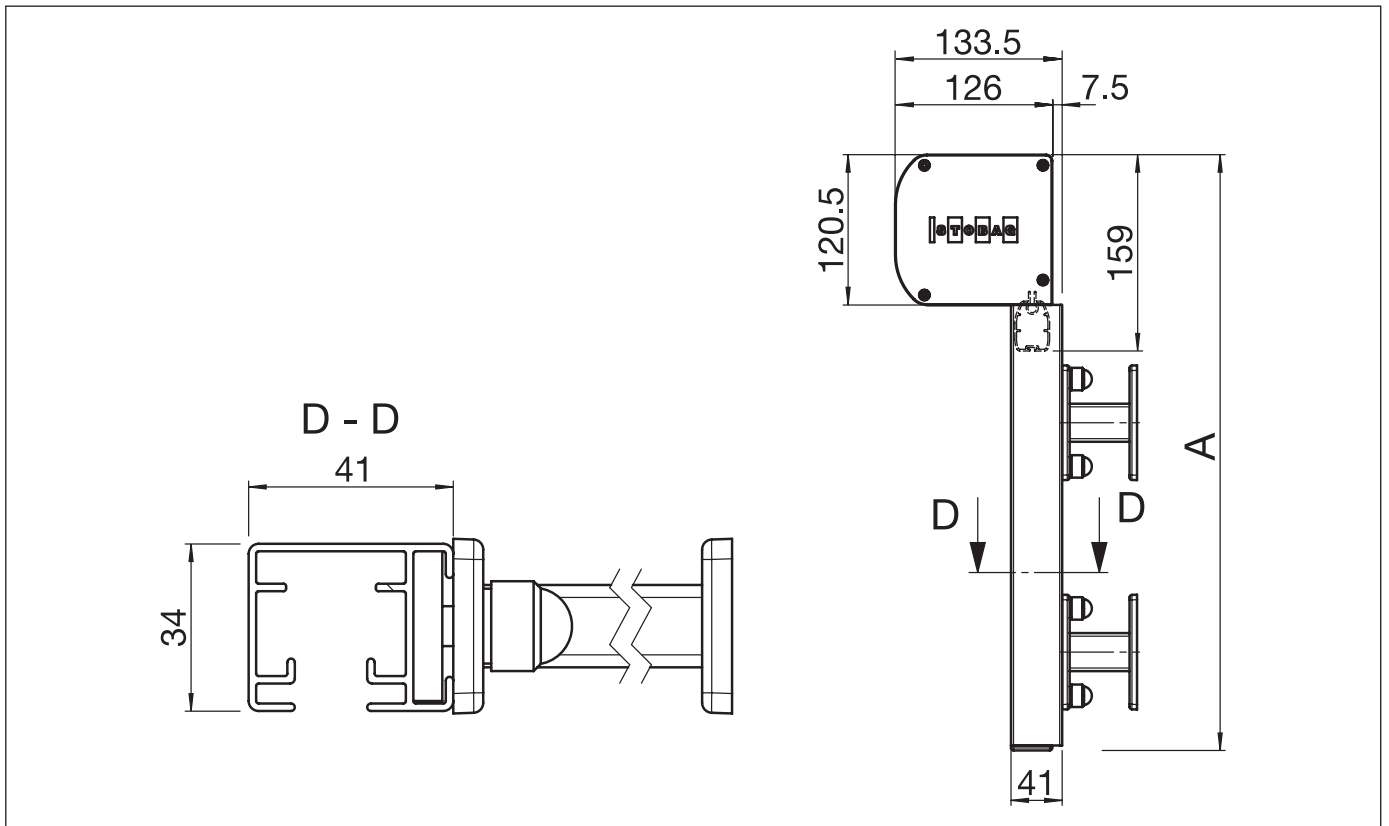


VENTOSOL VS5200

Vertical awning with zip system

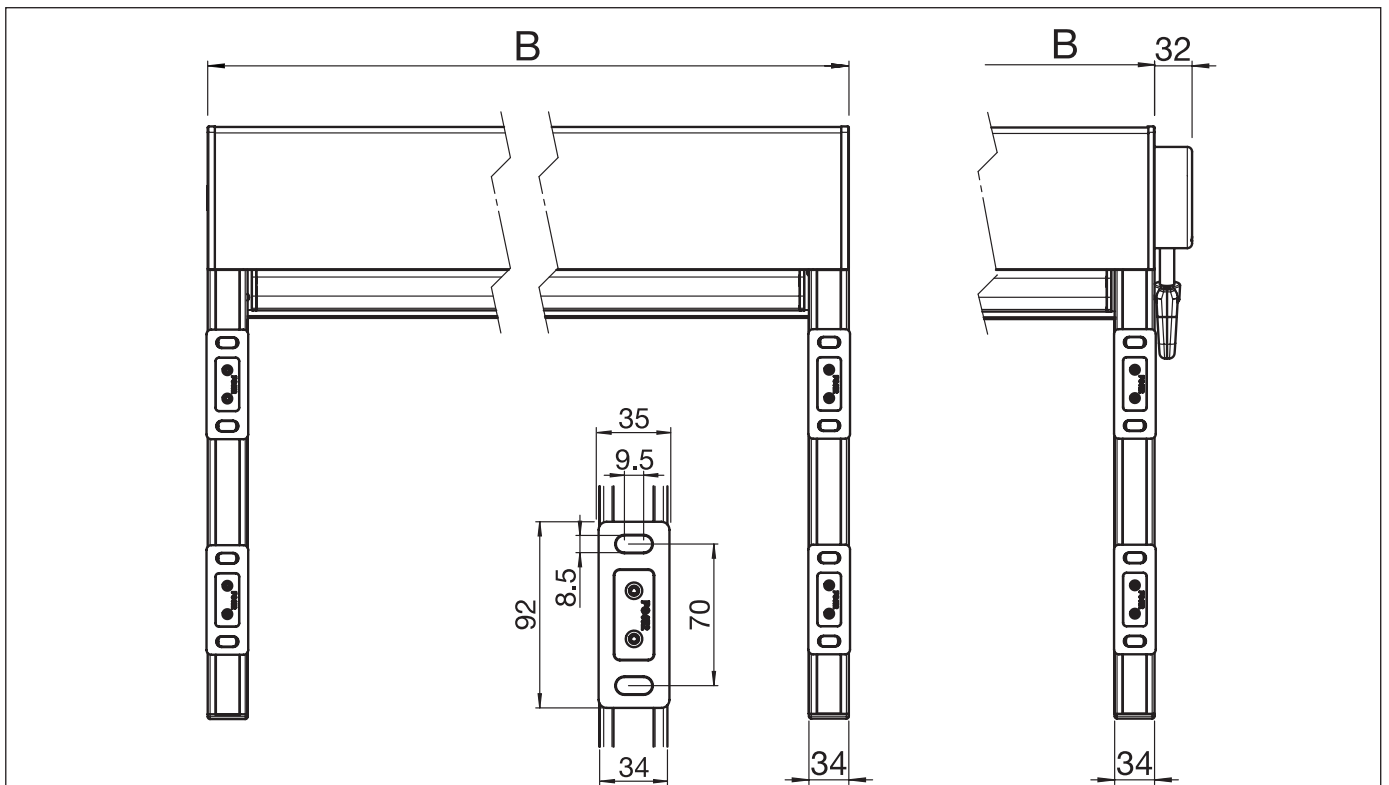
VS5200/1

Wall fixing with fixing bracket



VS5200/1

Installation drawing with fixing bracket



A = Total height

B = Total width

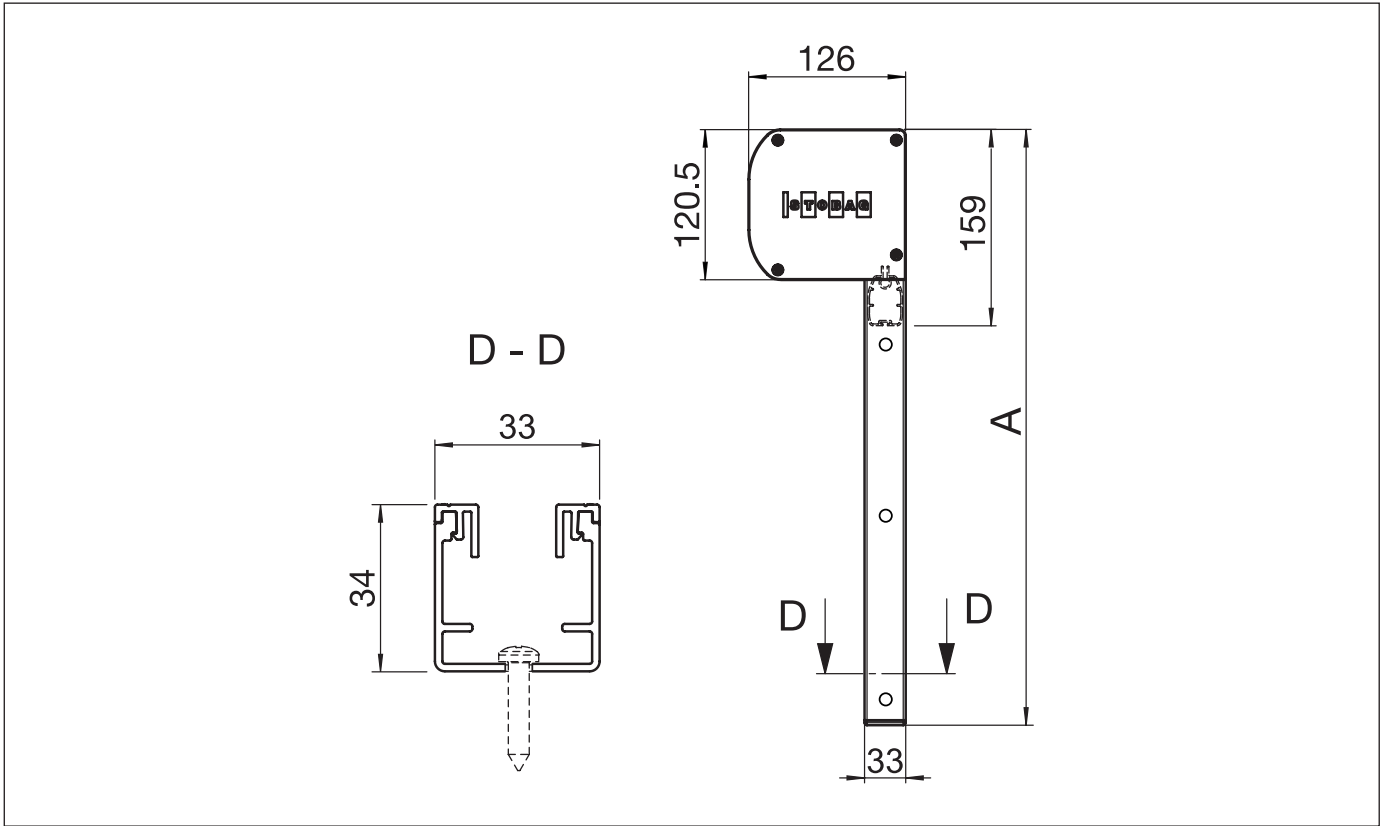


VENTOSOL VS5200

Vertical awning with zip system

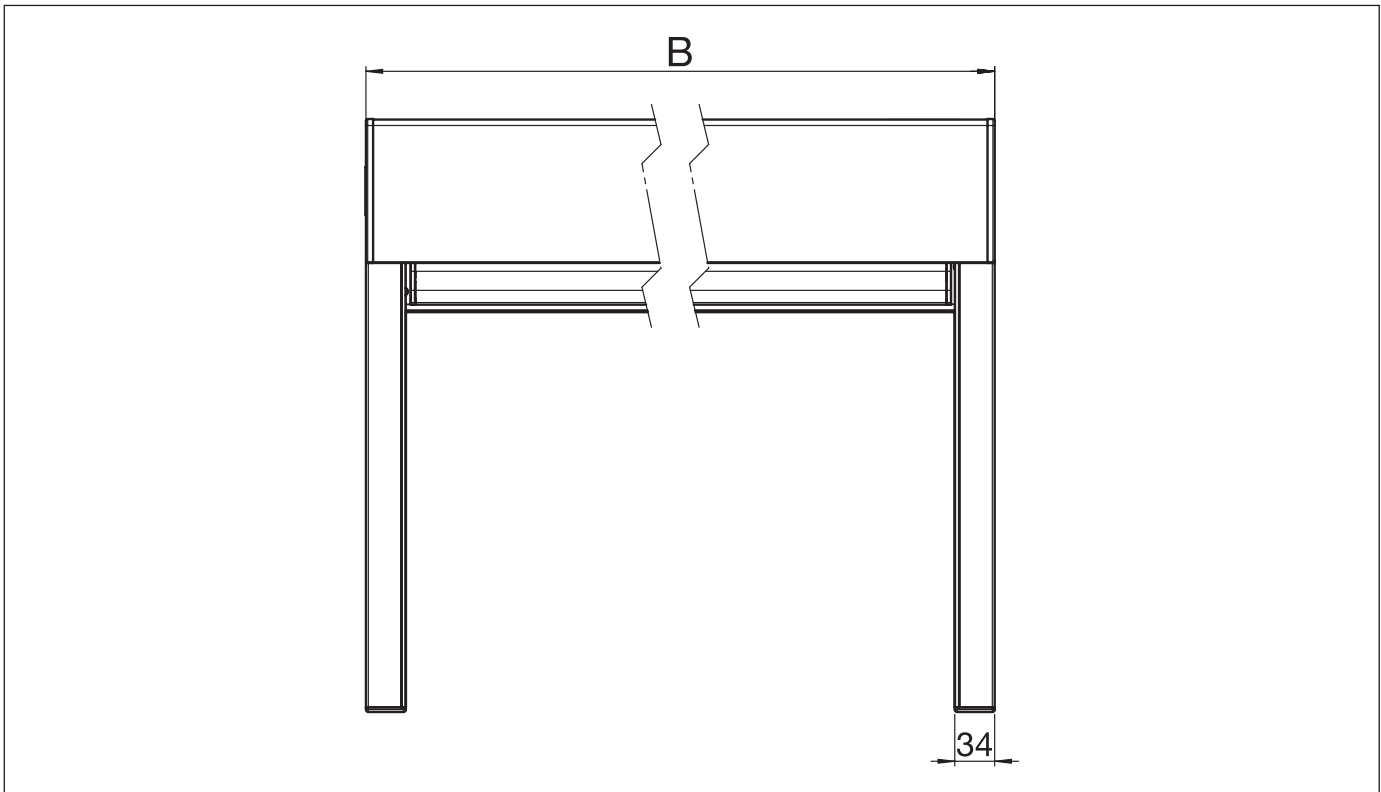
VS5200/2

Soffit fixing with motor drive



VS5200/2

Installation drawing with motor drive



A = Total height

B = Total width

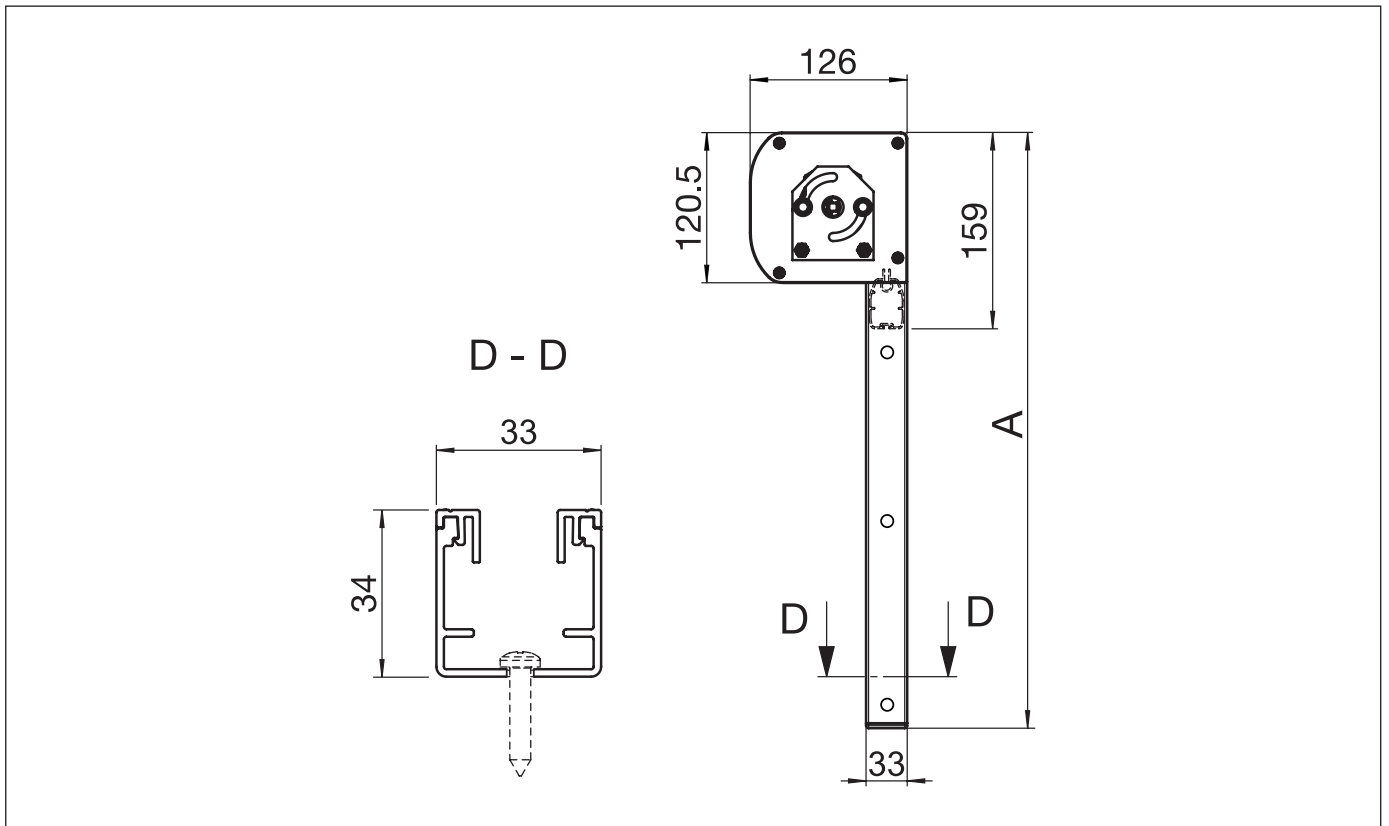


VENTOSOL VS5200

Vertical awning with zip system

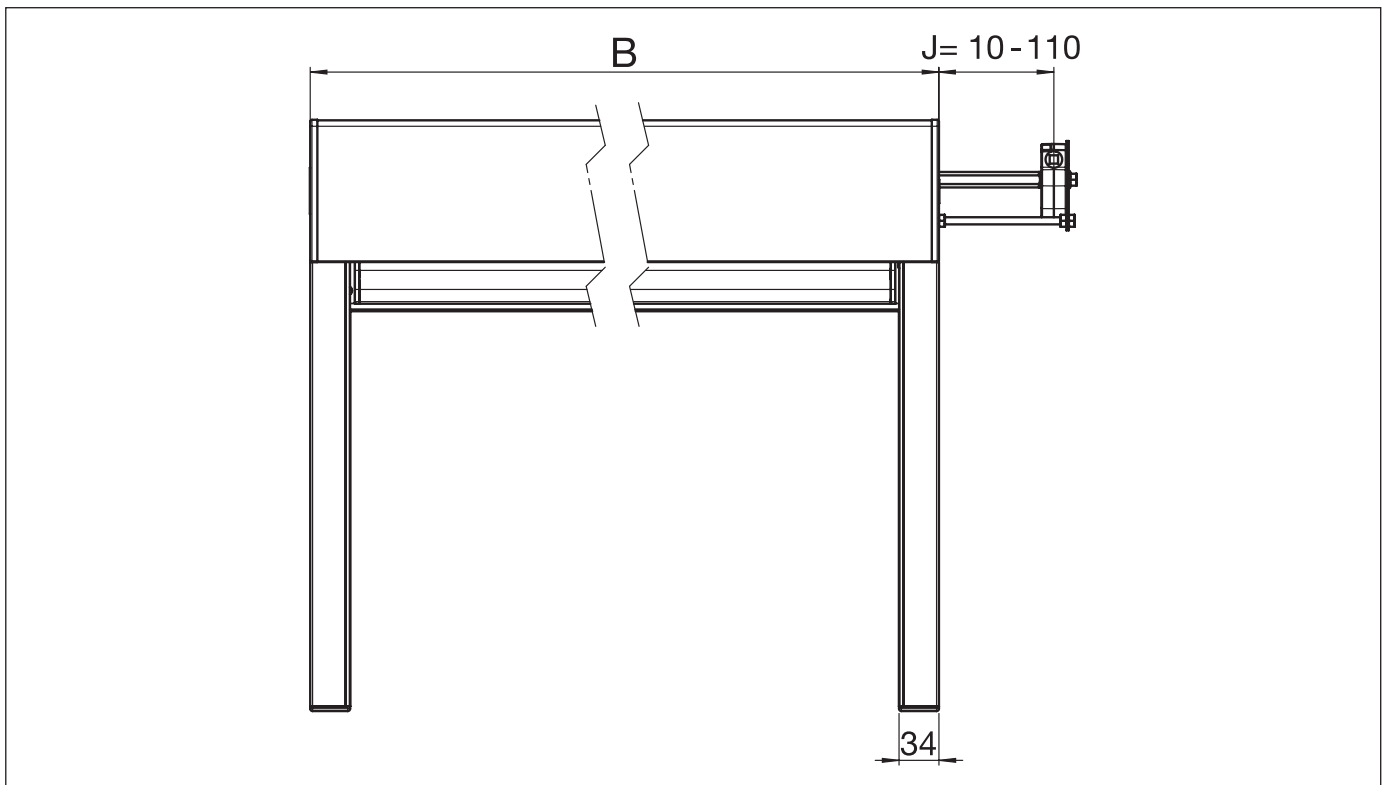
VS5200/2

Soffit fixing with gear



VS5200/2

Installation drawing with gear



A = Total height

B = Total width