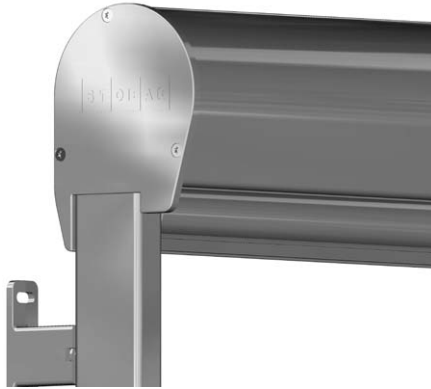




VERTICAL-LIGHT VS4300

Vertical awning with round and square box

VS4300



Description

One-piece protective box made of round or square aluminium extruded profile, 124 mm high and 107 mm wide. Standard drive occurs manually by means of permanently lubricated worm gear with speed reduction 4:1 and with end stop against reverse winding. Operation with aluminium tilted crank lever and operating handle. Grommet in the interior space with joint plate, projection angle 45°–90°. Connection tilted crank lever to drive with fixed, positive fitting, galvanized steel. The operating handle is made of corrosion-resistant square steel for coupled installations. Box side cap made of aluminium cast alloy with insertion adapter for guide rail support. Roller tube \varnothing 60 or \varnothing 70 mm (depending on dimension and hanging) made of sendzimir galvanized steel with groove for awning cover support. The 40 x 30 mm front rail of aluminium extruded front rail is equipped with an insertion groove for fitting. Flat steel is inserted in the weighting chamber for the declining profile for extra weight. Fibre-glass reinforced side guide pins made of UV protected plastic. The aluminium extruded profiles of the 50 x 23.5 mm side guide rails have an integrated slip groove for the guide sleeve as well as the profile groove for the fixing bracket. The guide rail end caps are made of high-quality plastic. Soffit installation as direct screw coupling via bore holes in the guide rails or facade installation with suitable fixing brackets made of aluminium cast alloy. All aluminium profiles and aluminium cast parts are powder-coated. All screws are made of stainless steel. Fitted with awning cover made of polyester, PVC or acrylic from the STOBAG collection.

Options

Drive options:

- Worm drive (4:1) with end stop, with ring and hanging awning crank lever with hook
- Worm drive (4:1) with end stop, bayonet lock and hanging awning tilted crank lever with operating handle funnel

Electric drive:

With a mechanical limit switch: Tubular AC motor 230 V, 50Hz or 120 V, 60 Hz (according to the country) with electromechanical brakes and mechanically adjustable end stop. Thermal protection, protection class IP54 (spray water), with 50 – 150 cm connection cable.

With an electronic limit switch: Tubular AC motor 230 V, 50Hz or 120 V, 60 Hz (according to the country) with electromechanical brakes and electronic end stop. Thermal protection, protection class IP54 (spray water), with 50 – 150 cm connection cable.

Remote control motor with an electronic limit switch: Tubular AC motor 230 V, 50Hz or 120 V, 60 Hz (according to the country) with electromechanical brakes and electronic end stop. Integrated radio receiver, thermal protection, protection class IP54 (spray water), with 50 – 150 cm connection cable.

METHOD OF DELIVERY

Box assembled, including roller tube, cover and front rail. Cover on roller tube and front rail. Lateral guide rails FS810 shortened. Without fixation material.

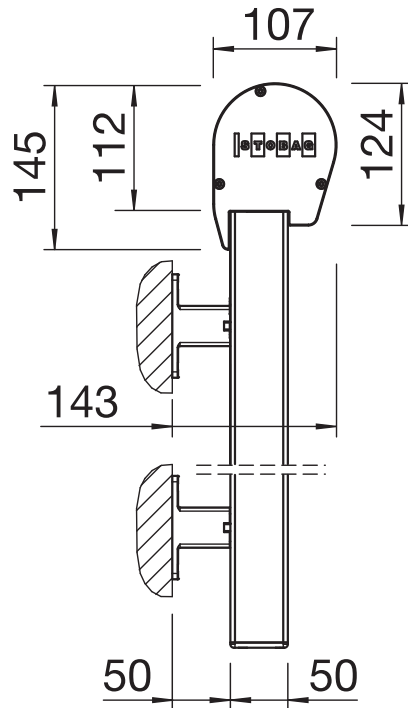


VERTICAL-LIGHT VS4300

Vertical awning with round and square box

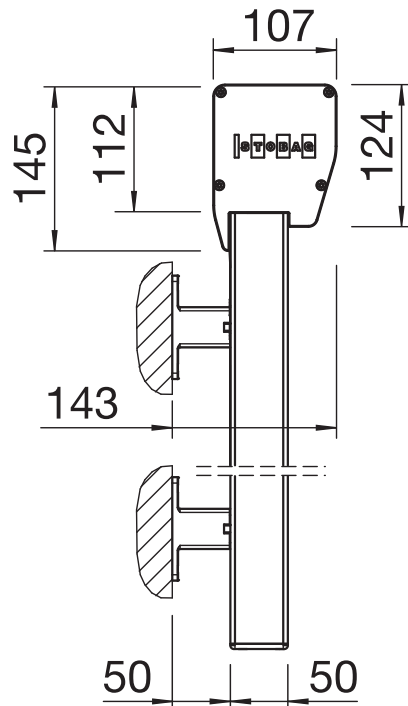
VS4300

Wall fixing (with round boxes)



VS4300

Wall fixing (with square boxes)



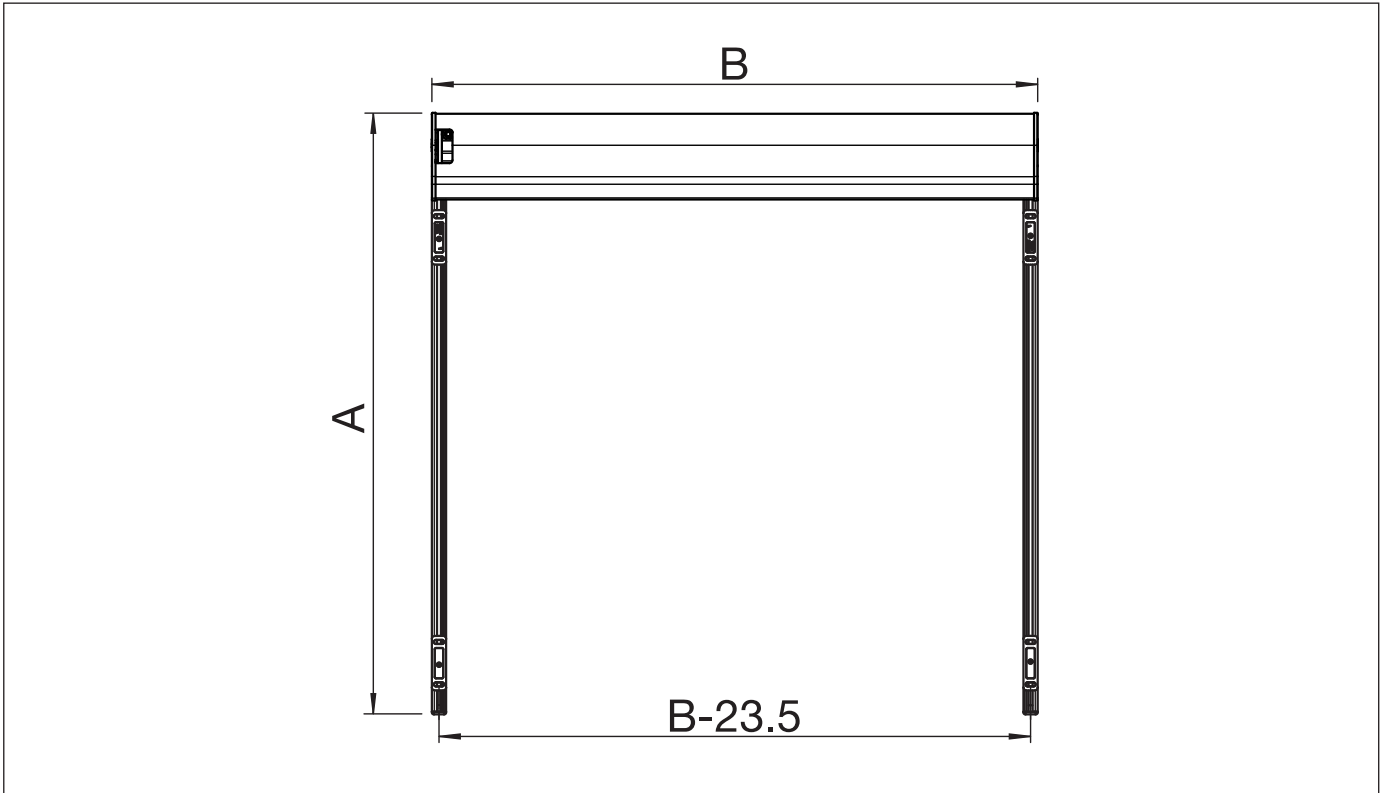


VERTICAL-LIGHT VS4300

Vertical awning with round and square box

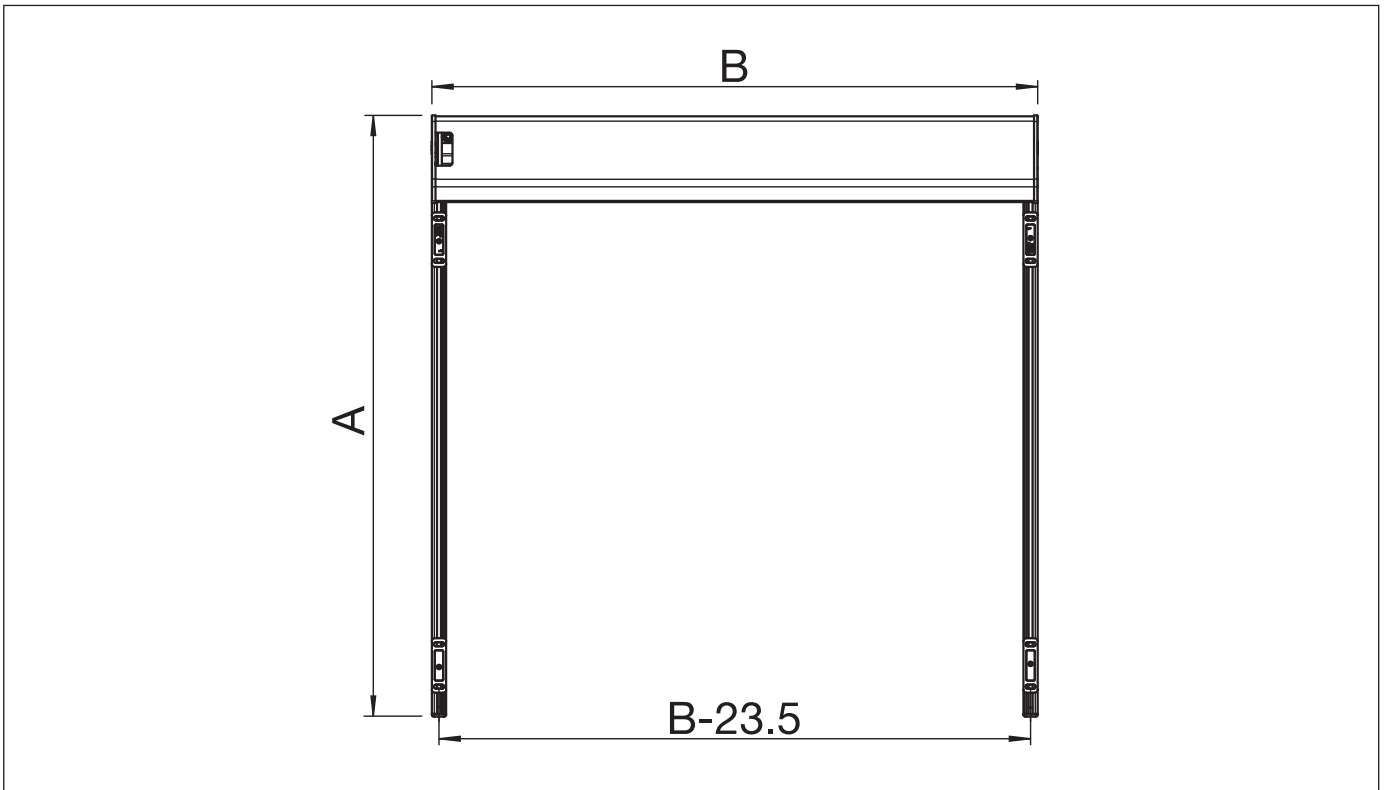
VS4300

Installation drawing (with round boxes)



VS4300

Installation drawing (with square boxes)



B = Total width
A = Total height