



VISOMBRA FS6000

Exposed awnings with wind protection and drop down range to 180°

FS6000

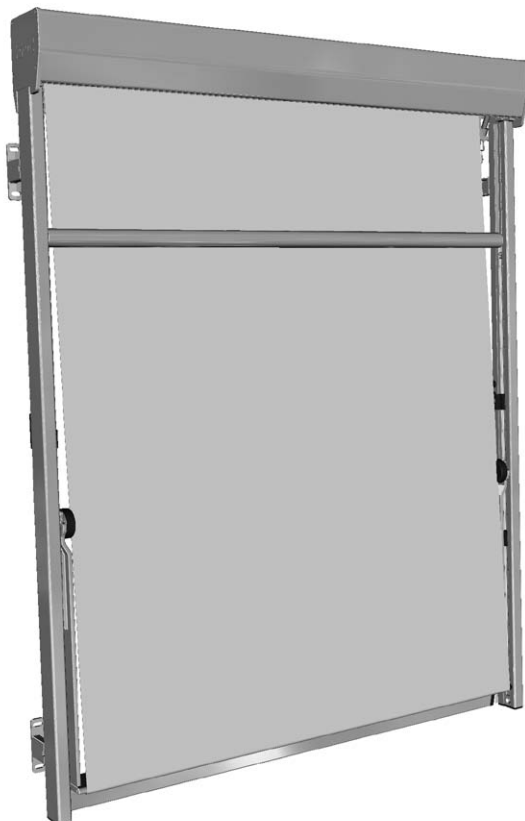


	40 cm *400 cm		125 cm *350 cm
--	------------------	--	-------------------

	0° – 180°		0° – 180°		min. 65 cm max. 285 cm
--	-----------	--	-----------	--	---------------------------

* Depending on material:

With soltis fabric	400 x 350 cm
With acrylic fabric	400 x 275 cm 350 x 350 cm



Description

One-piece protective box made of round or square aluminium extruded section, 124 mm high and 107 mm wide. Standard drive occurs manually by means of permanently lubricated worm gear with speed reduction 4:1 and with end stop against reverse winding. Operation with aluminium tilted crank lever and connecting rod. Grommet in the interior space with hinge plate, projection angle 45°-90°. Connect tilted crank lever to drive with fixed, positive fitting, galvanized steel. The connection rod is made of corrosion-resistant square steel for coupled installations. Box side lid made of aluminium cast alloy with insertion adapter for guide rail support. Roller shaft \varnothing 60 or \varnothing 70 mm (depending on dimension and hanging) made of sendzimir galvanized steel with slot for awning fabric support. Guide sleeve aluminium extruder round profile \varnothing 30 mm to 250 cm total width or \varnothing 45 mm starting at 250 cm total width, with plastic roll conductor. The L-shaped aluminium extruder declining profile wither the dimensions 65 x 60 mm is equipped with an insertion slot for fitting and with a chamber for fixing arms. Flat steel is inserted in the weighting chamber for the declining profile for extra weight. Fibre-glass reinforced side end caps made of UV protected plastic. The box is completely closed with the retracted declining profile. The aluminium extruded sections of the 50 x 23.5 mm side guide rails have an integrated slip slot for the guide sleeve as well as the profile slot for the fixing bracket. Aluminium cast alloy projection arms with a projection of 50 cm and integrated corrosion-resistant steel flat spiral springs for supporting a declining angle of up to 180°. The wind protection profile integrated into the guide rails provides automatic control as soon as the declining arm position reaches 180°. The guide rail cover plates are made of high-quality plastic. Soffit installation as direct screw coupling via bore holes in the guide rails or facade installation with suitable fixing brackets made of aluminium cast alloy. All aluminium profiles as well as aluminium cast parts are powder-coated. All visible screws are stainless steel. Fitted with awning fabric made of polyester, PVC or acrylic from the STOBAG collection.

Options

Drive options:

- Worm drive (4:1) with end stop, with ring and hanging awning crank lever with hook
- Worm drive (4:1) with end stop, bayonet lock and hanging awning tilted crank lever with crank hopper.

Electric drive:

- Various options for automating by means of electric drives, switches and controls are available.
- AC tubular drive 230V/50Hz, mechanical, electronic or radio with friction brakes and electronic end position switch off. Thermal protection, protection class IP54 (spray water), with 50-150 cm connection cable.

METHOD OF DELIVERY

Awnings fully assembled. With cover, guide rails with projection arms and guiding roller tube separately.

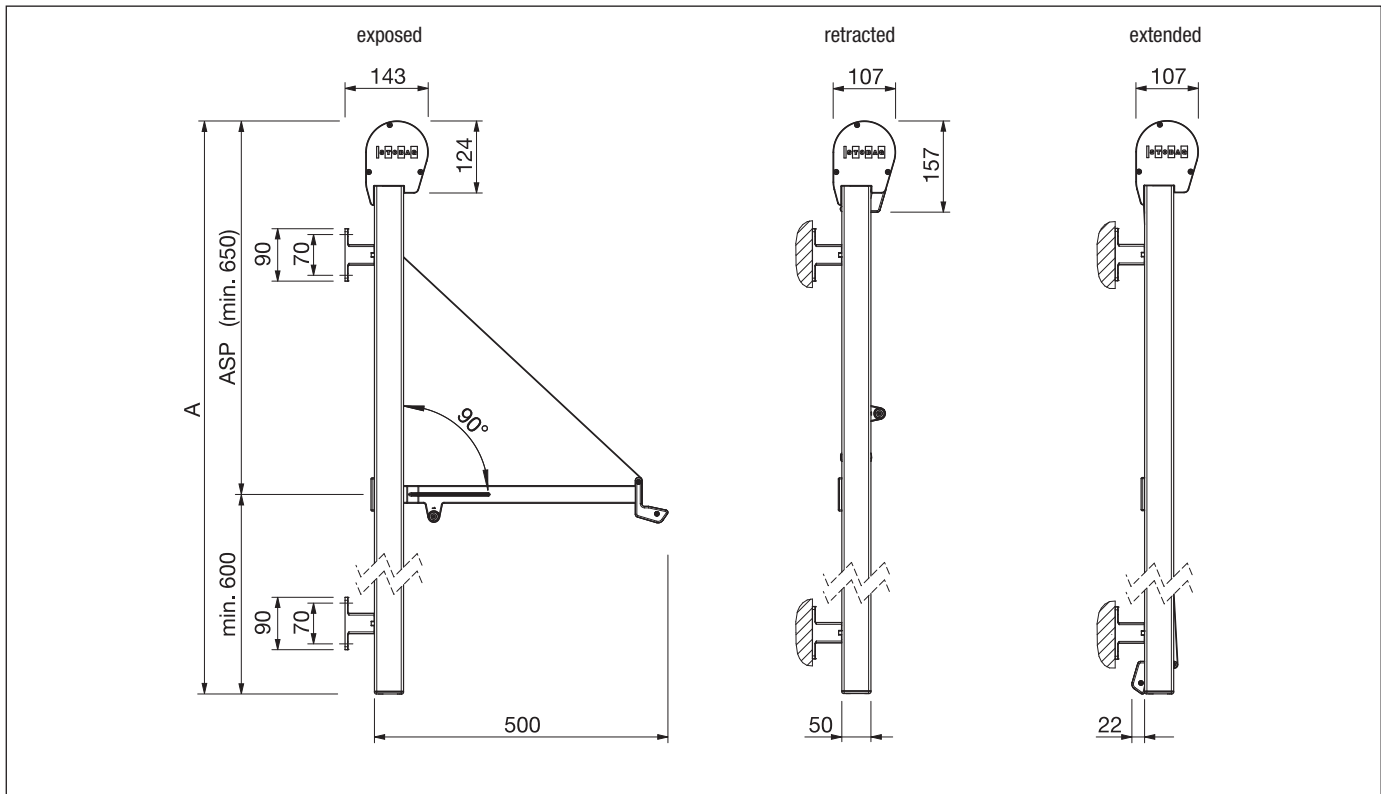


VISOMBRA FS6000

Exposed awnings with wind protection and drop down range to 180°

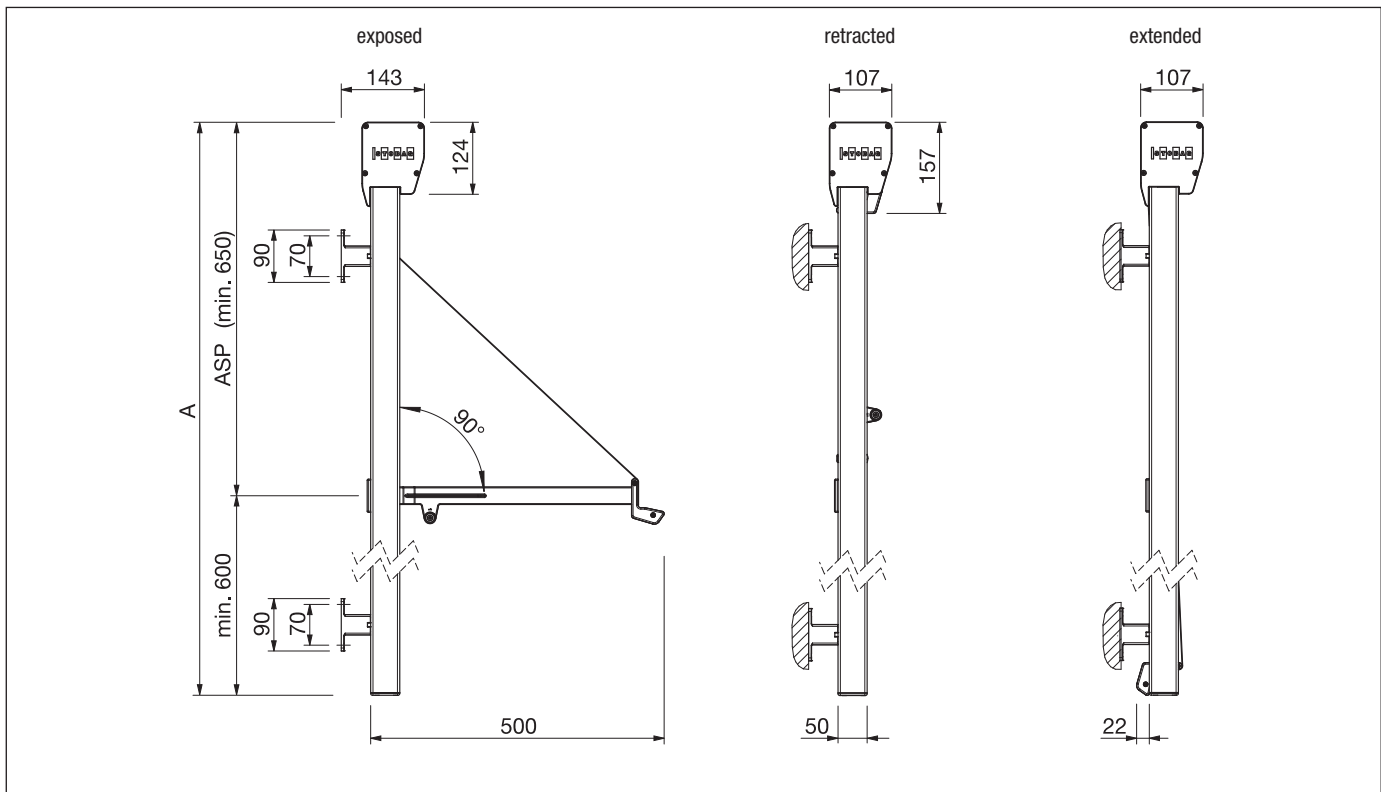
FS6000

Wall fixing (with round boxes)



FS6000

Wall fixing (with square boxes)



A = Total height
ASP = Projection point

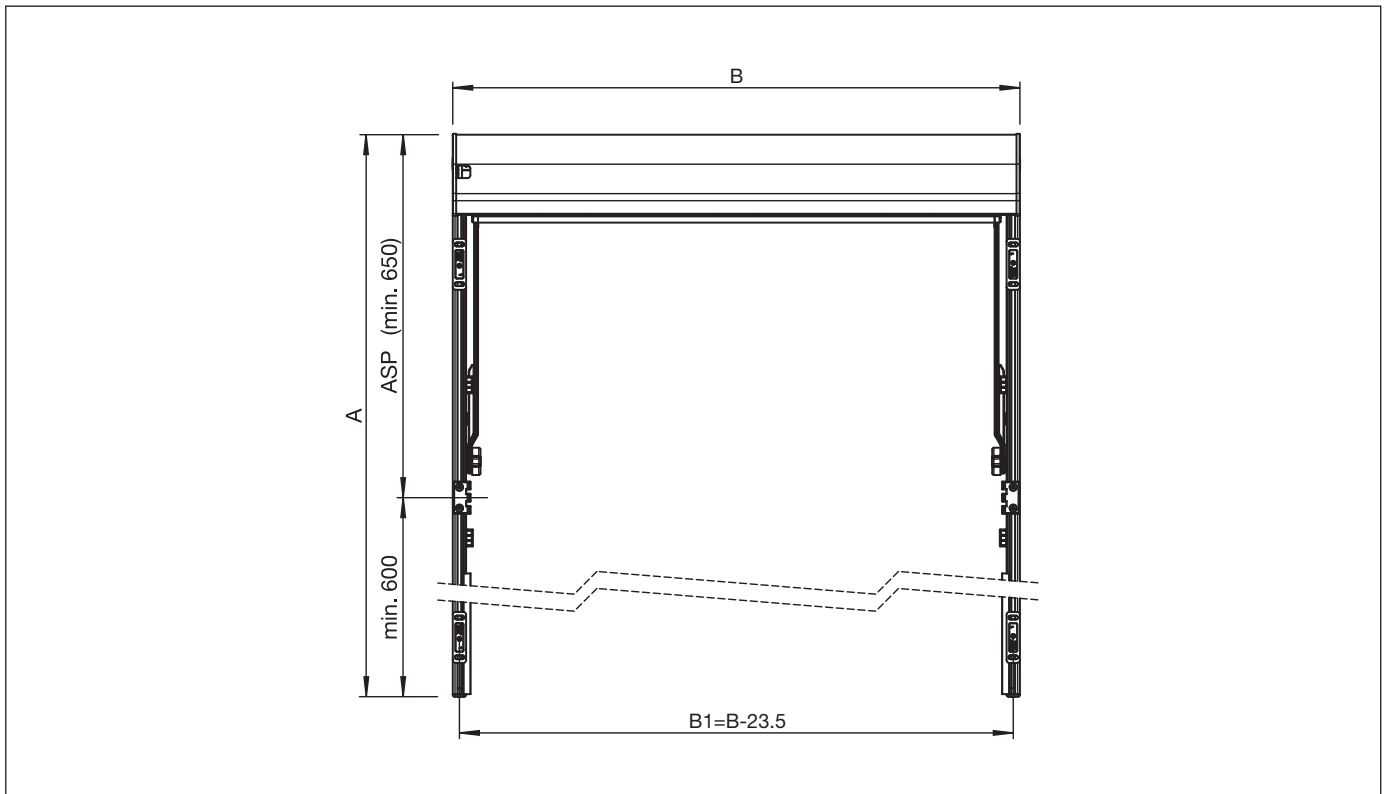


VISOMBRA FS6000

Exposed awnings with wind protection and drop down range to 180°

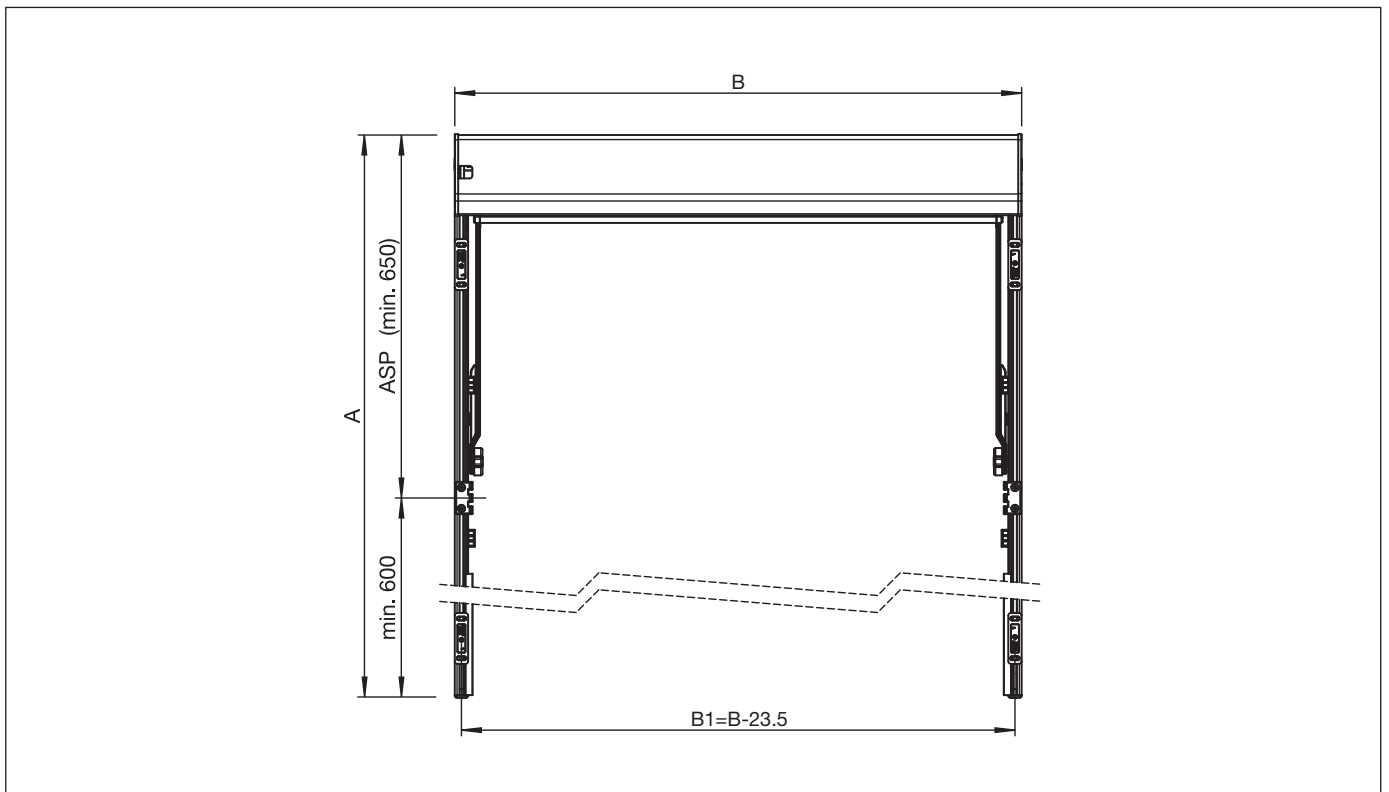
FS6000

Installation drawing (with round boxes)



FS6000

Installation drawing (with square boxes)



B = Total width
A = Total height
ASP = Projection point